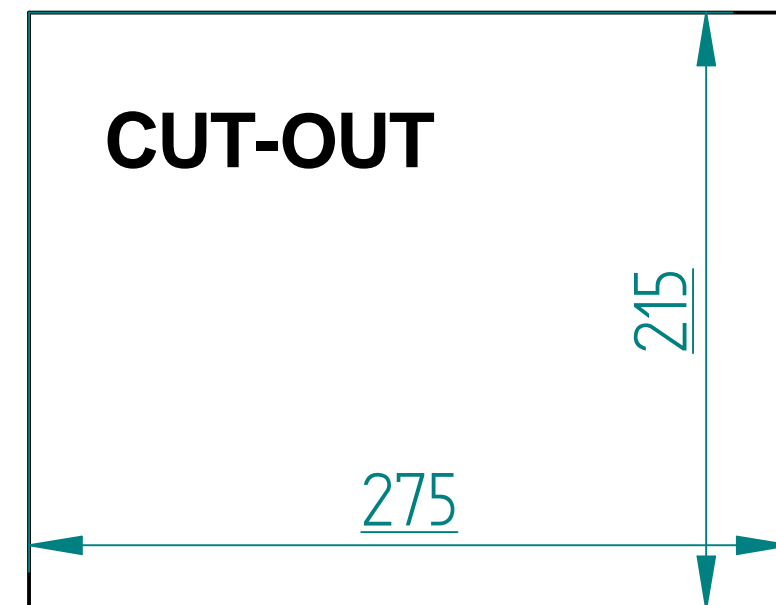
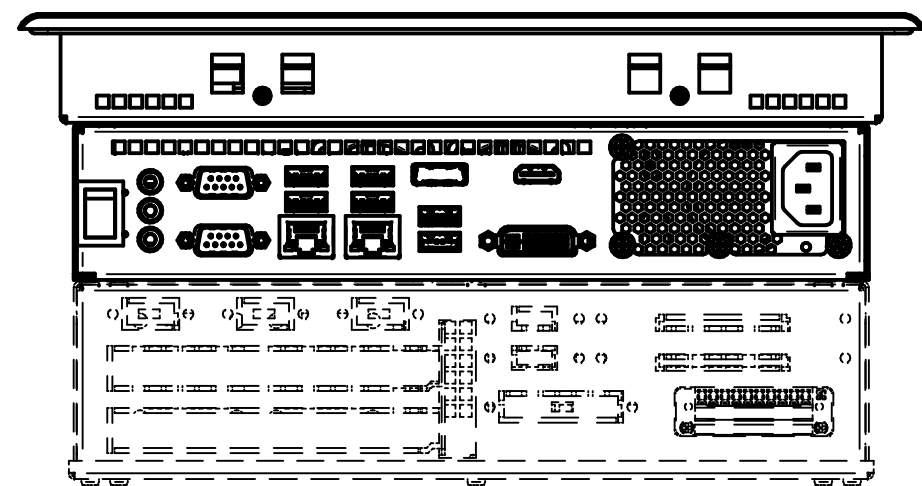
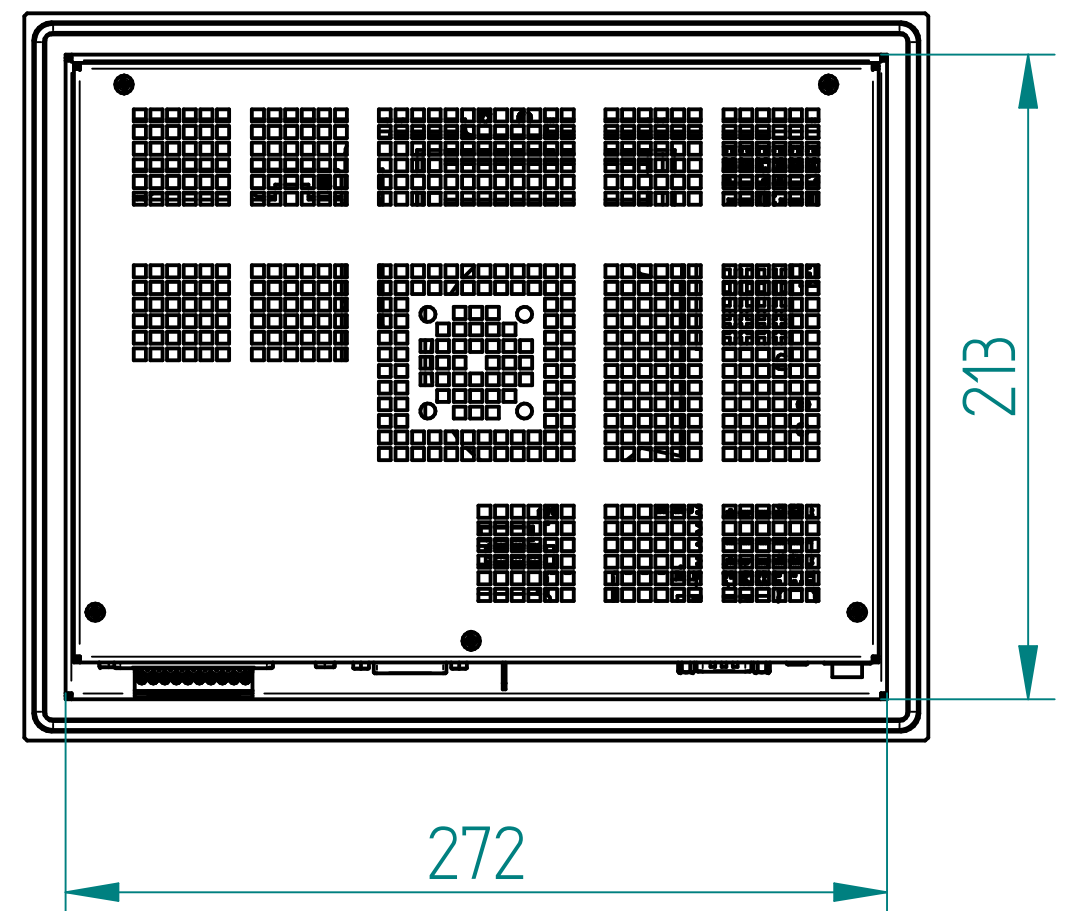
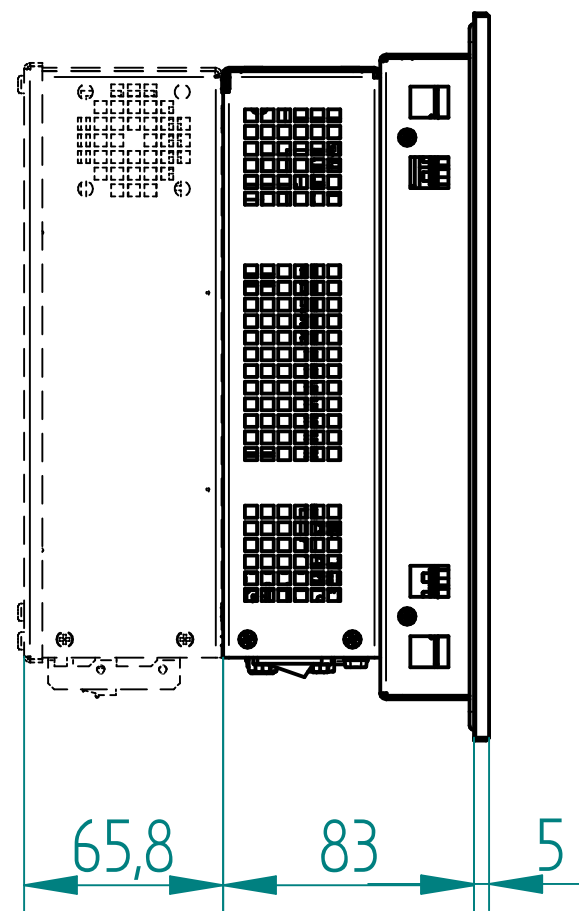
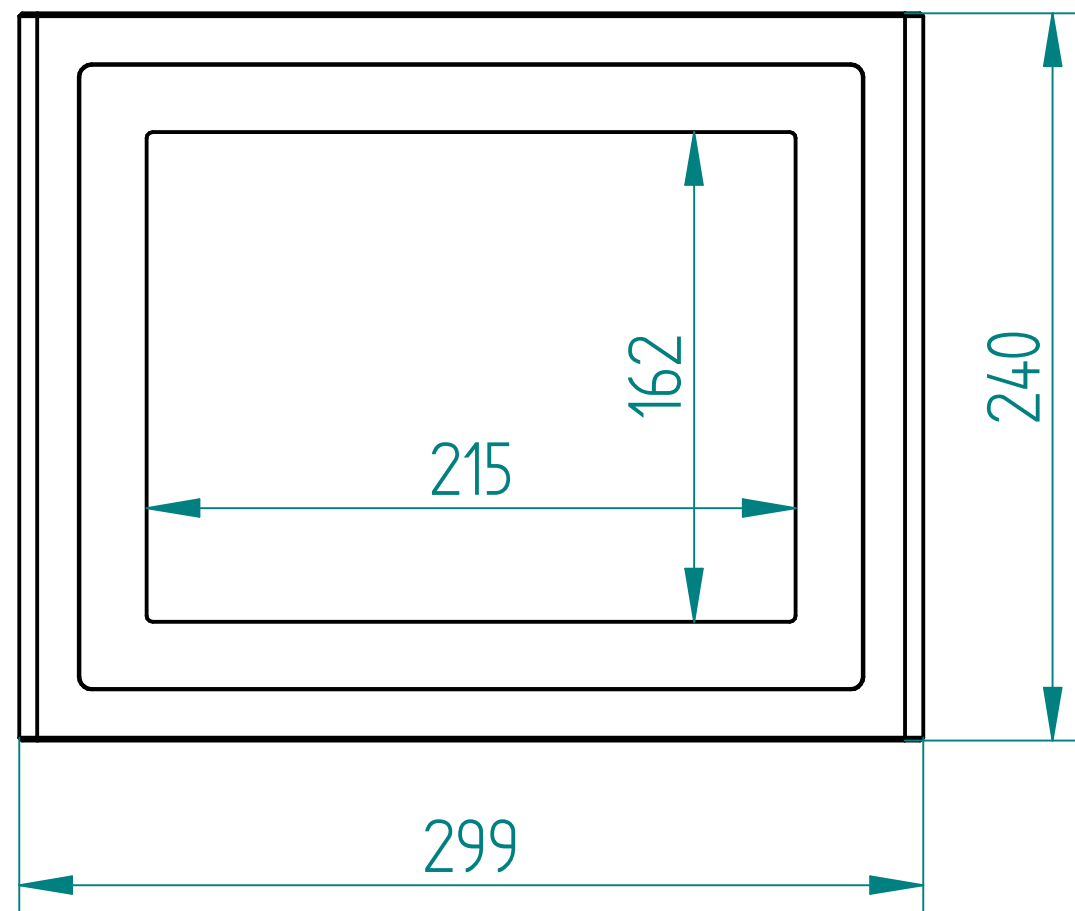


STANDARD FRONT PANEL VERSION

Specifications are subject to change without notice

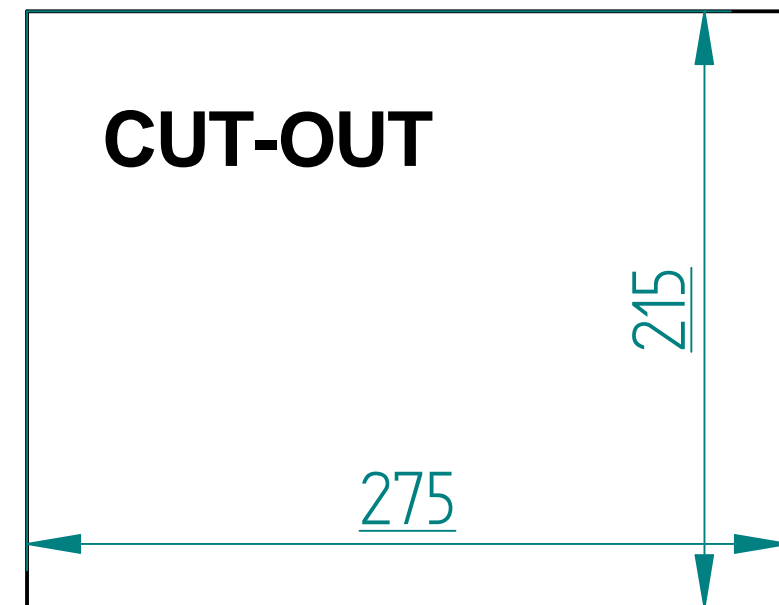
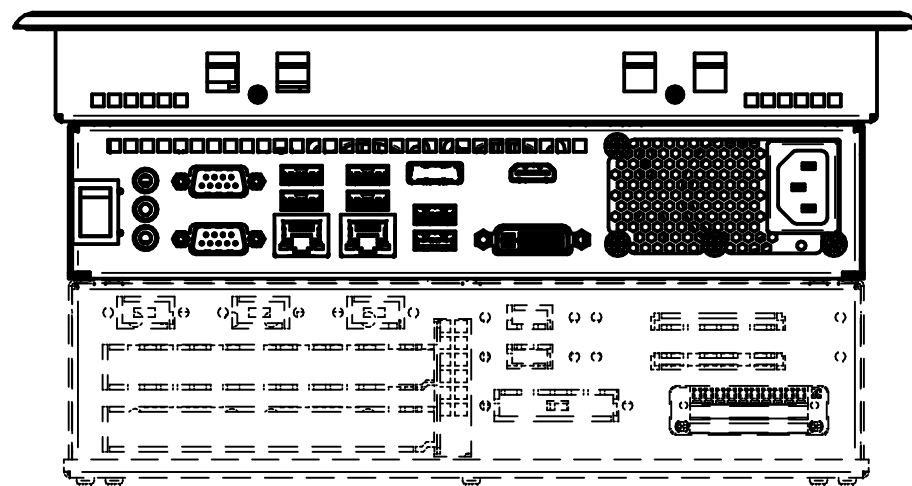
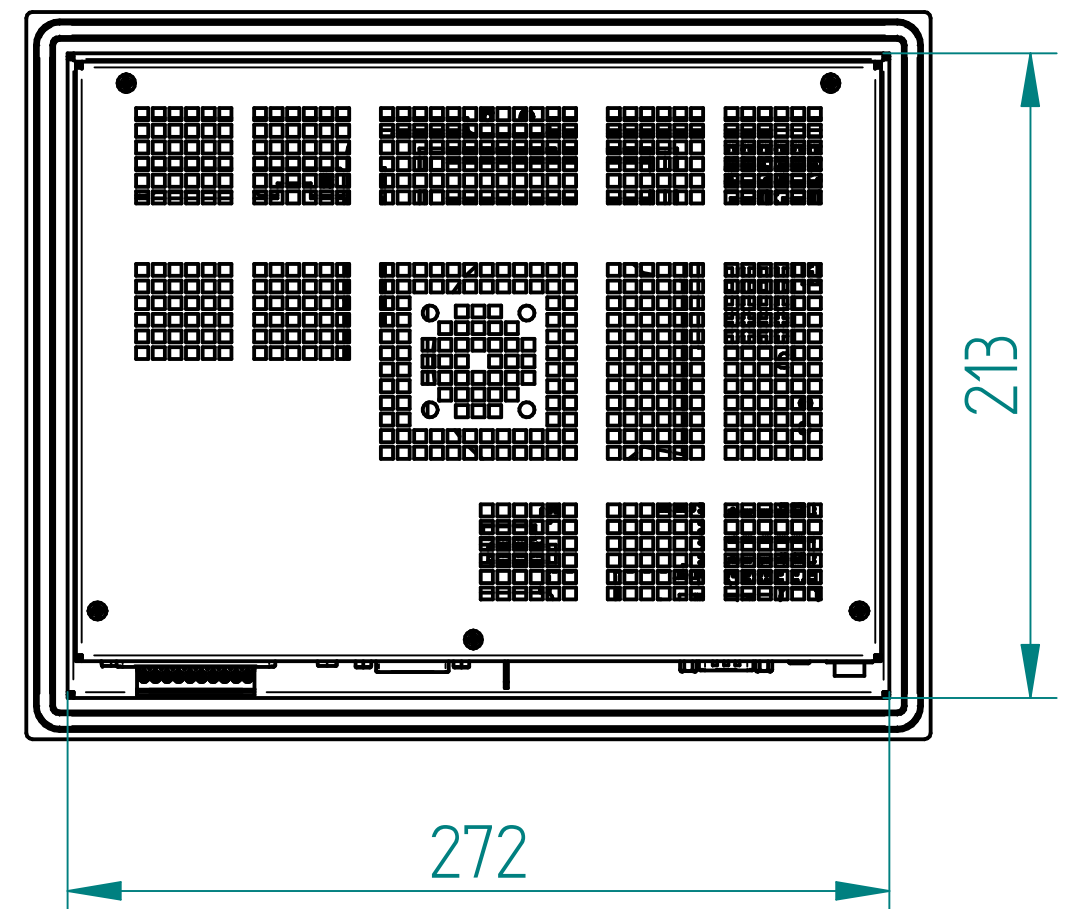
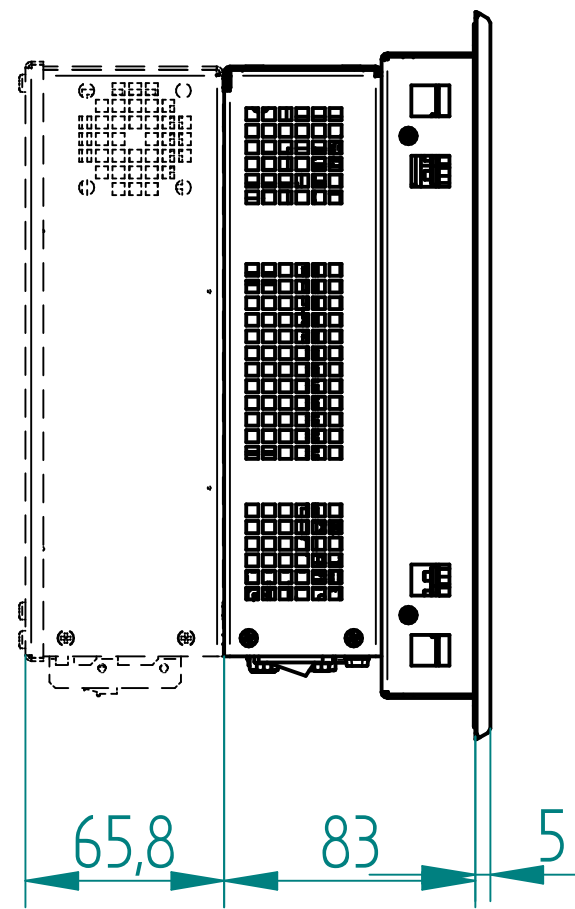
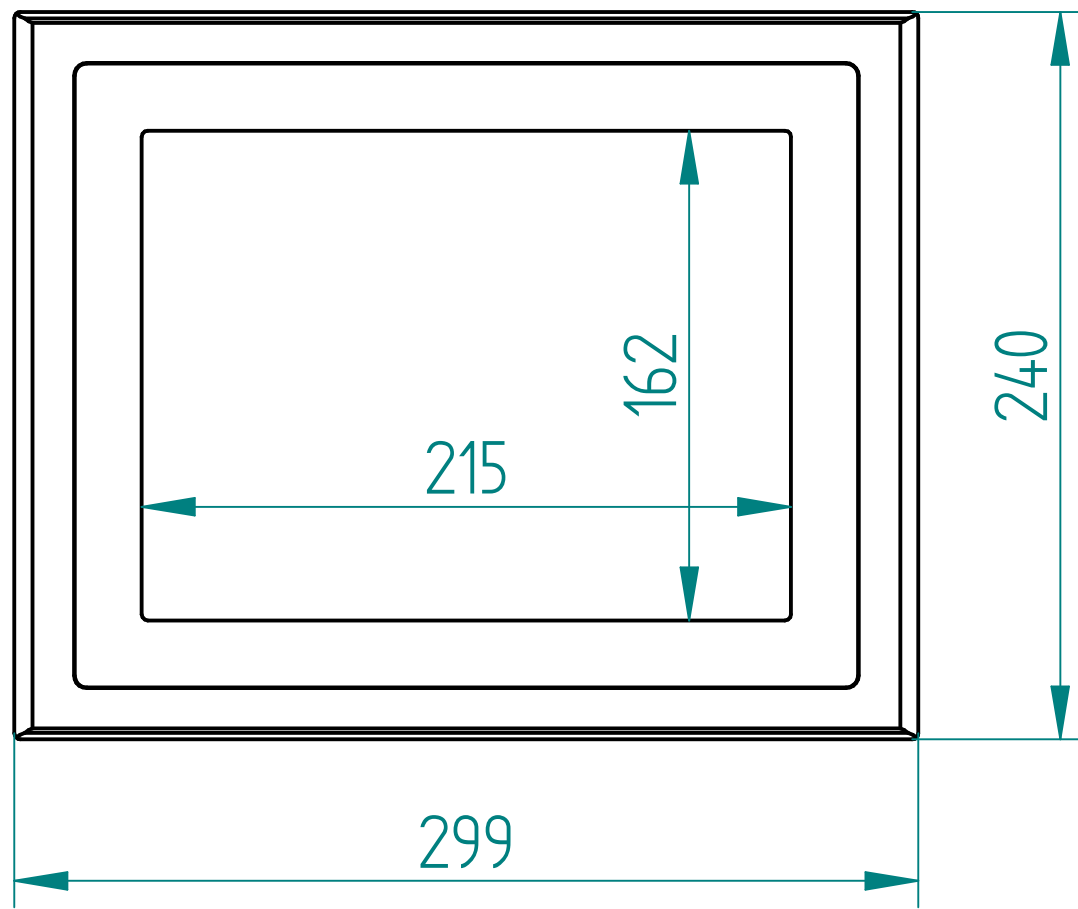
 INDUSTRIAL AUTOMATION TECHNOLOGY	Elmak srl
	Via Luigi Barchi 1/A - 42124 - Reggio Emilia - Italy
VIEW TYPE	STANDARD FRONT PANEL VERSION
MACHINE NAME	PPE 110



PCT-RTF FRONT PANEL VERSION

Specifications are subject to change without notice

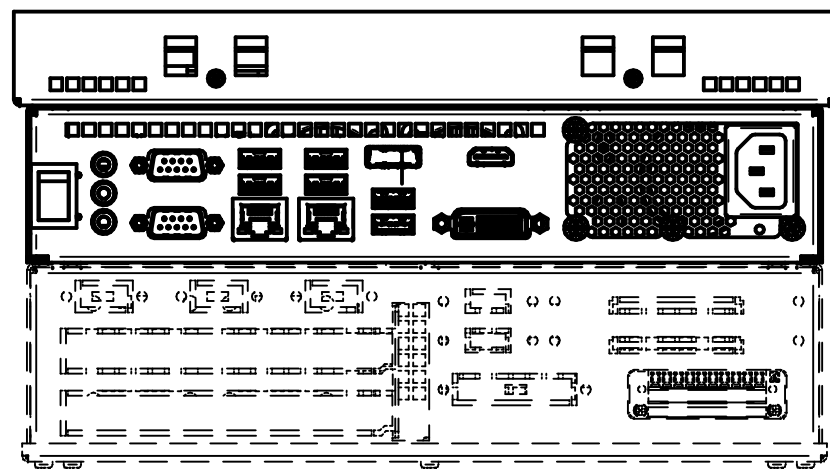
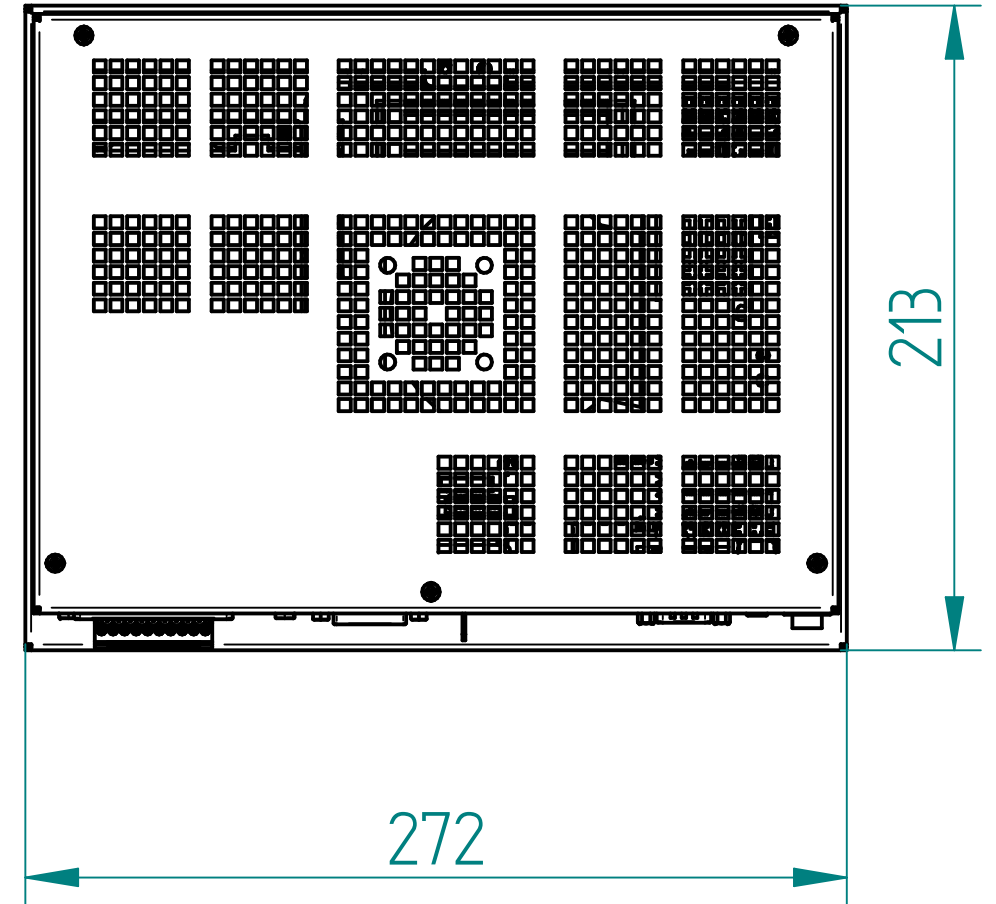
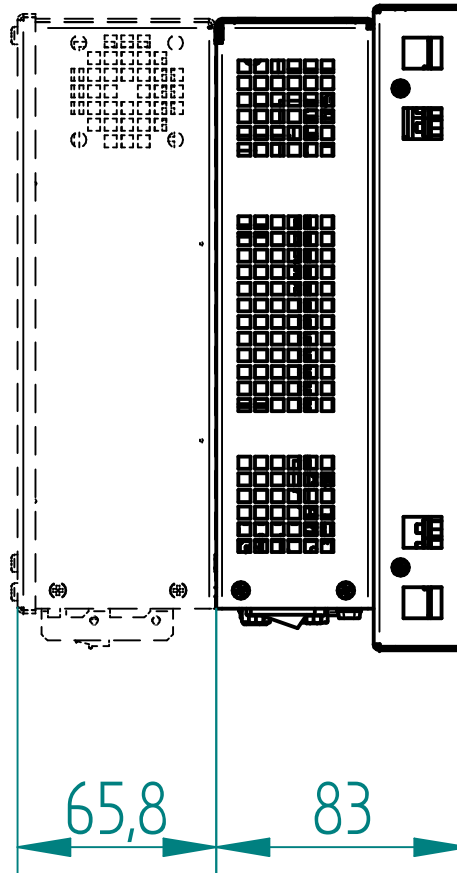
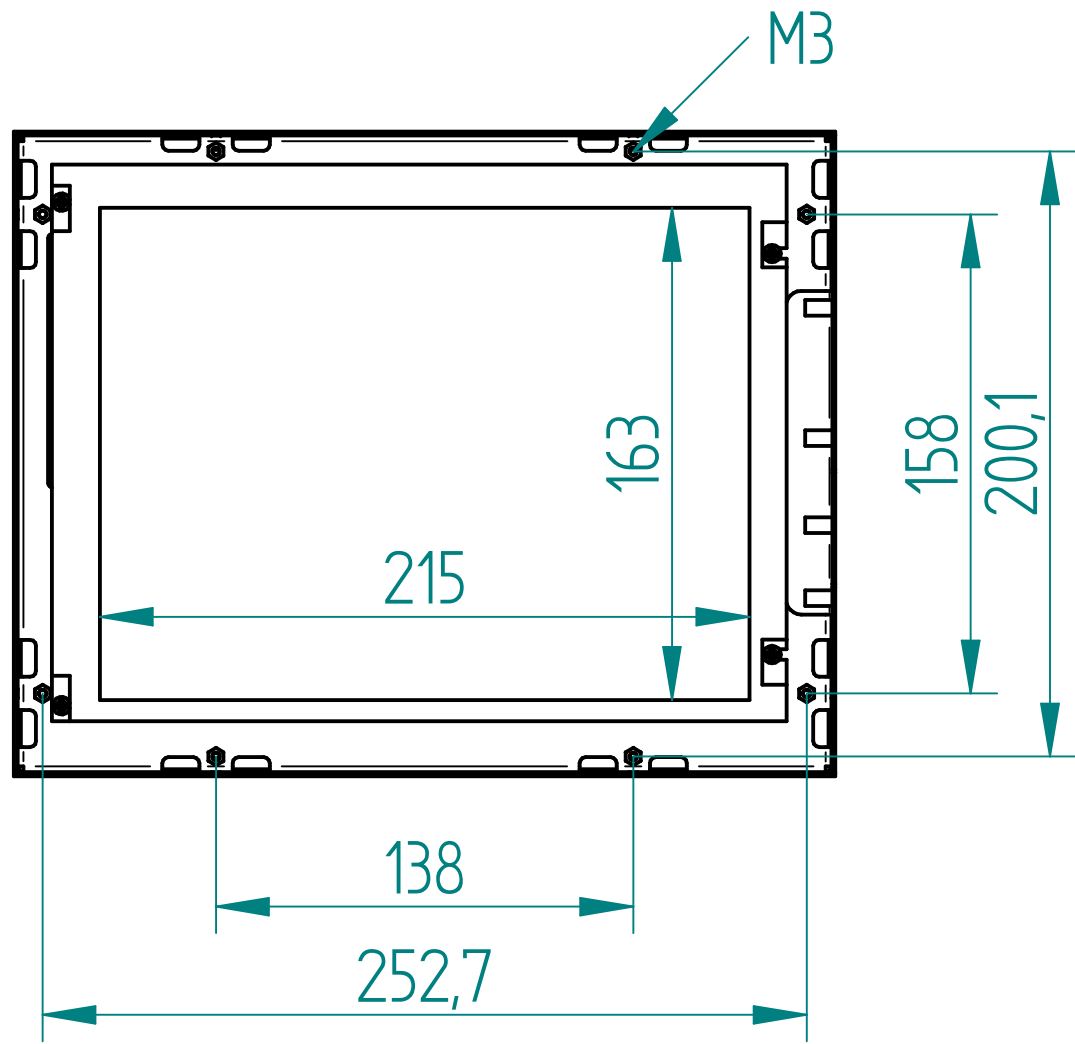
 ELMAK <small>INDUSTRIAL AUTOMATION TECHNOLOGY</small>	Elmak srl Via Luigi Barchi 1/A - 42124 - Reggio Emilia - Italy	
	VIEW TYPE	PCT-RTF FRONT PANEL VERSION
MACHINE NAME	PPE 110	



PCTX-RTFX FRONT PANEL VERSION

Specifications are subject to change without notice

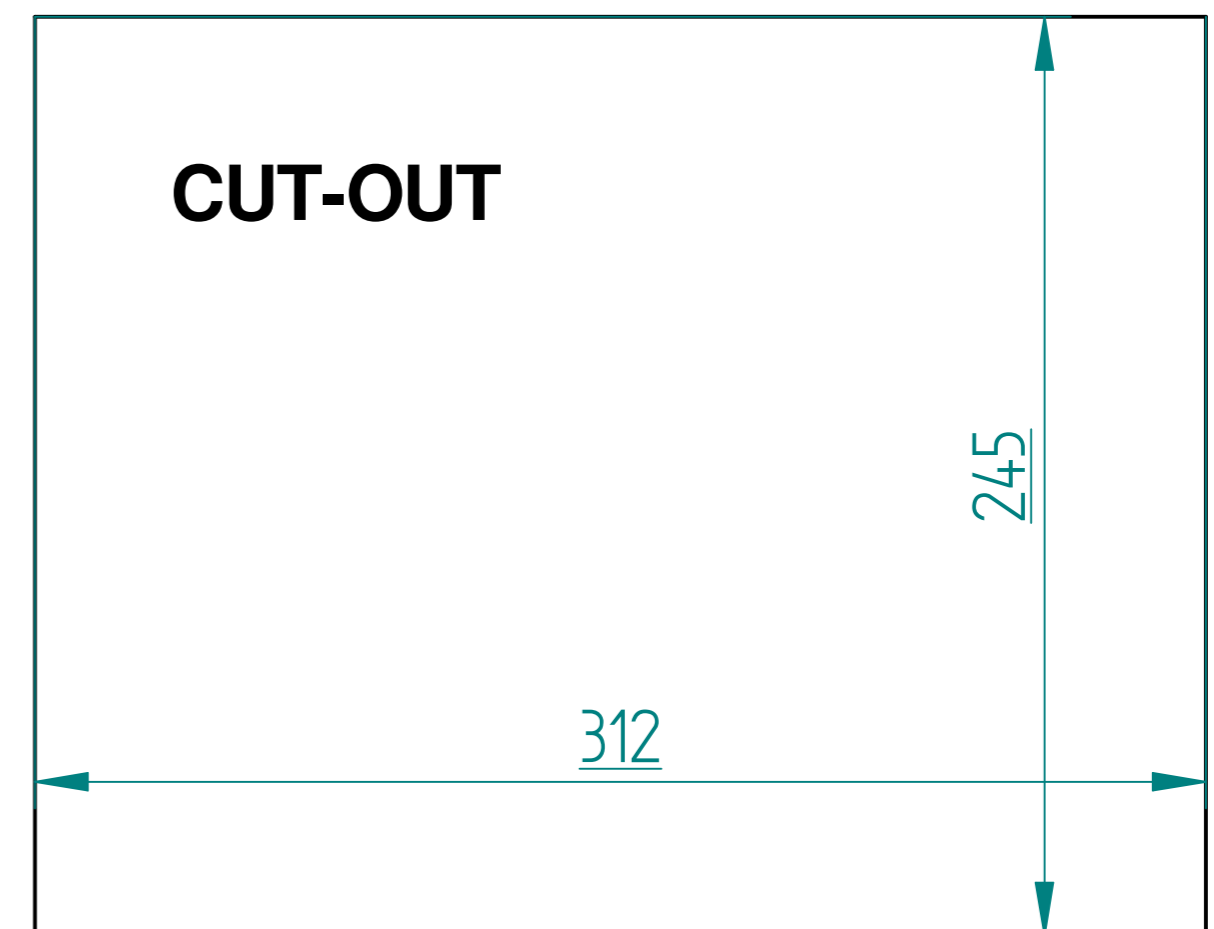
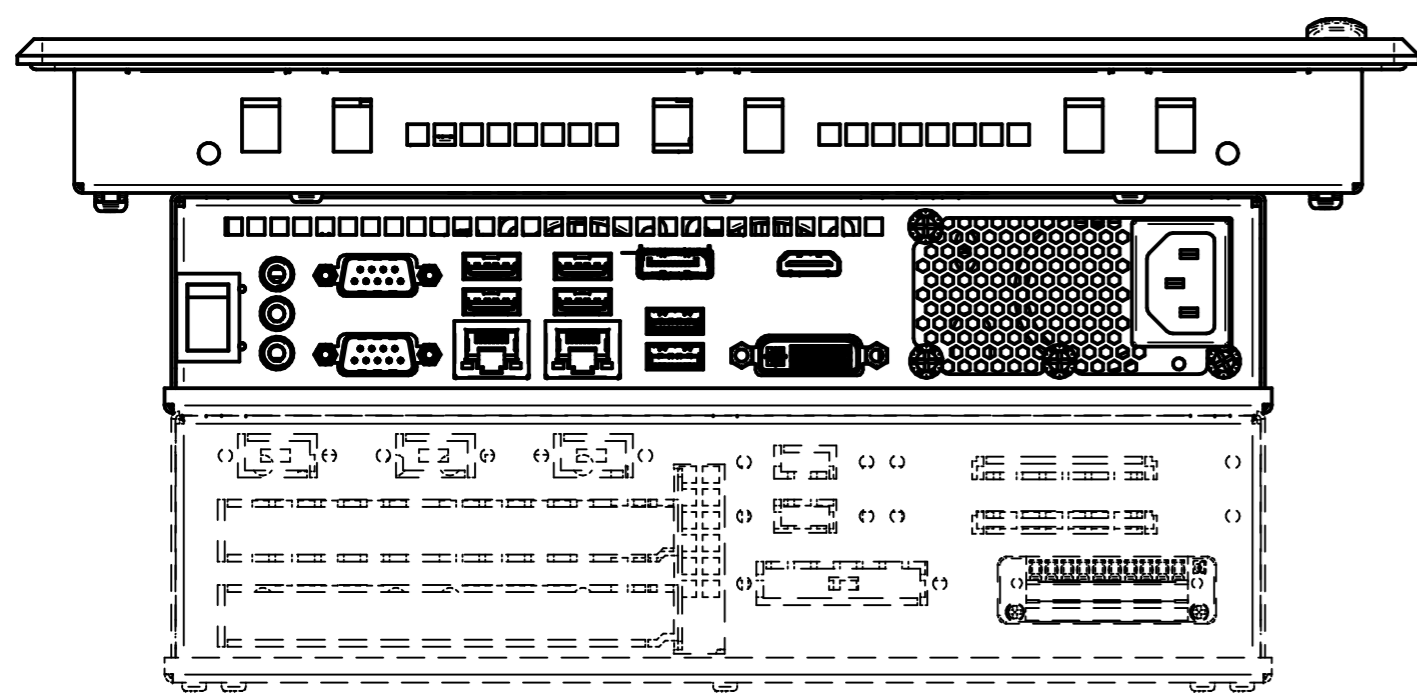
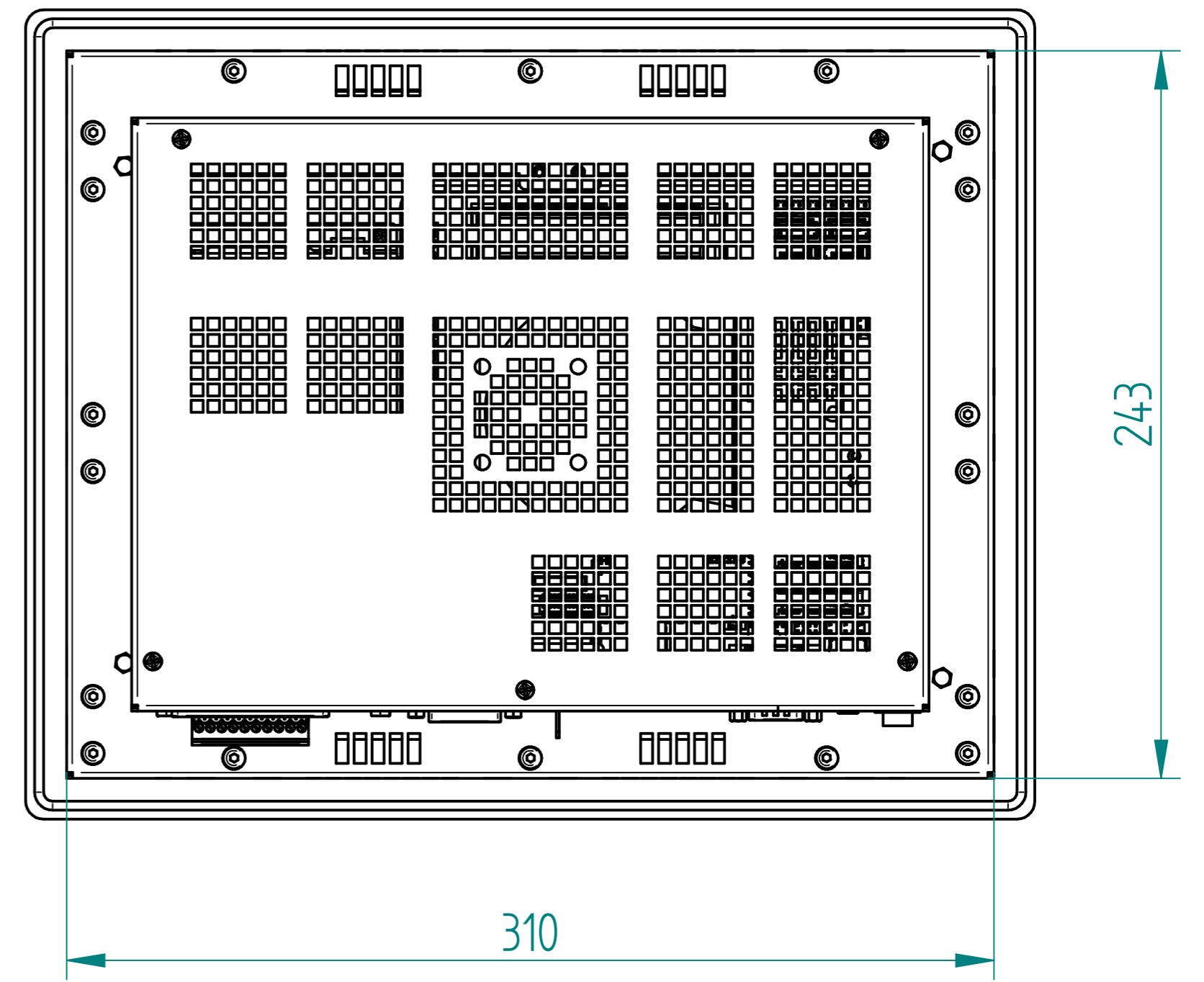
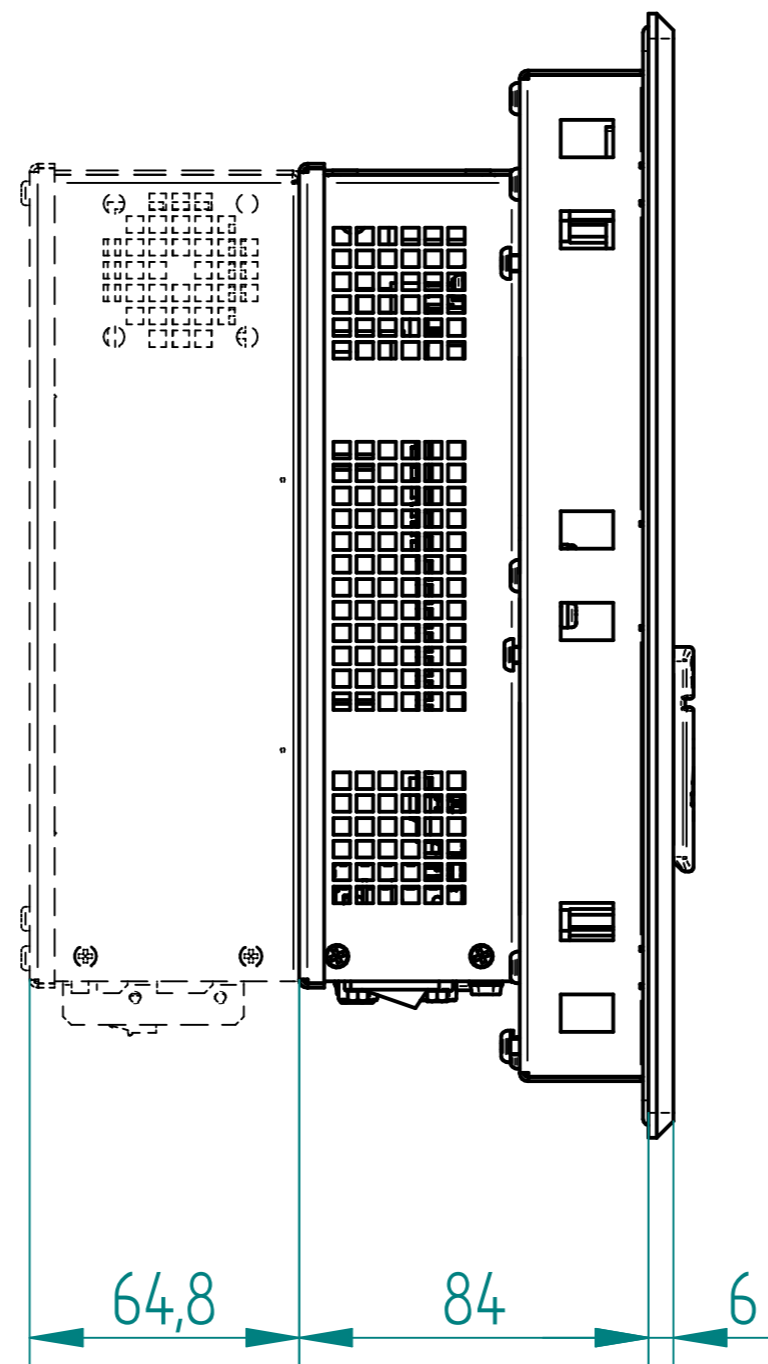
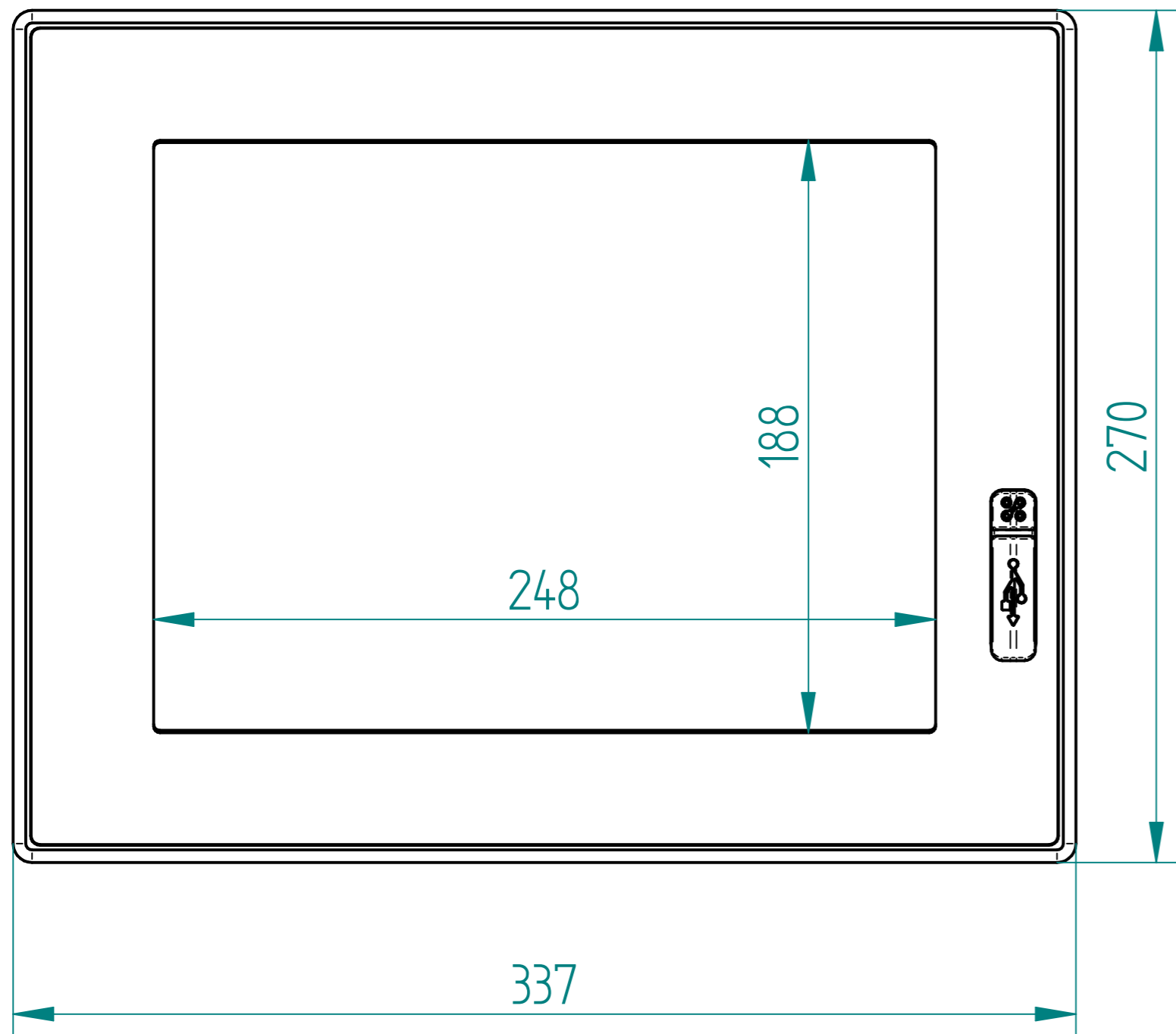
 ELMAK <small>INDUSTRIAL AUTOMATION TECHNOLOGY</small>	Elmak srl Via Luigi Barchi 1/A - 42124 - Reggio Emilia - Italy
	VIEW TYPE PCTX-RTFXFRONT PANEL VERSION
MACHINE NAME PPE 110	



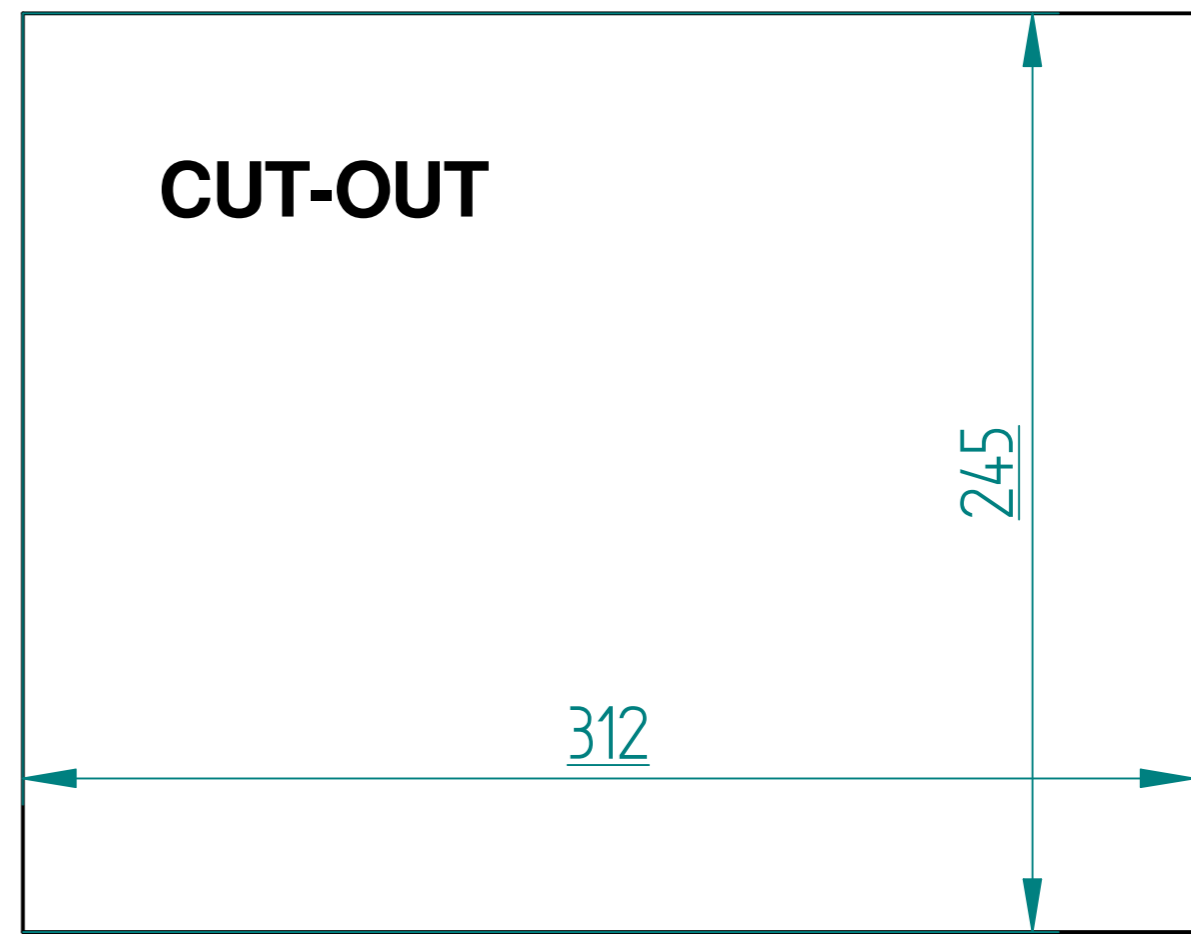
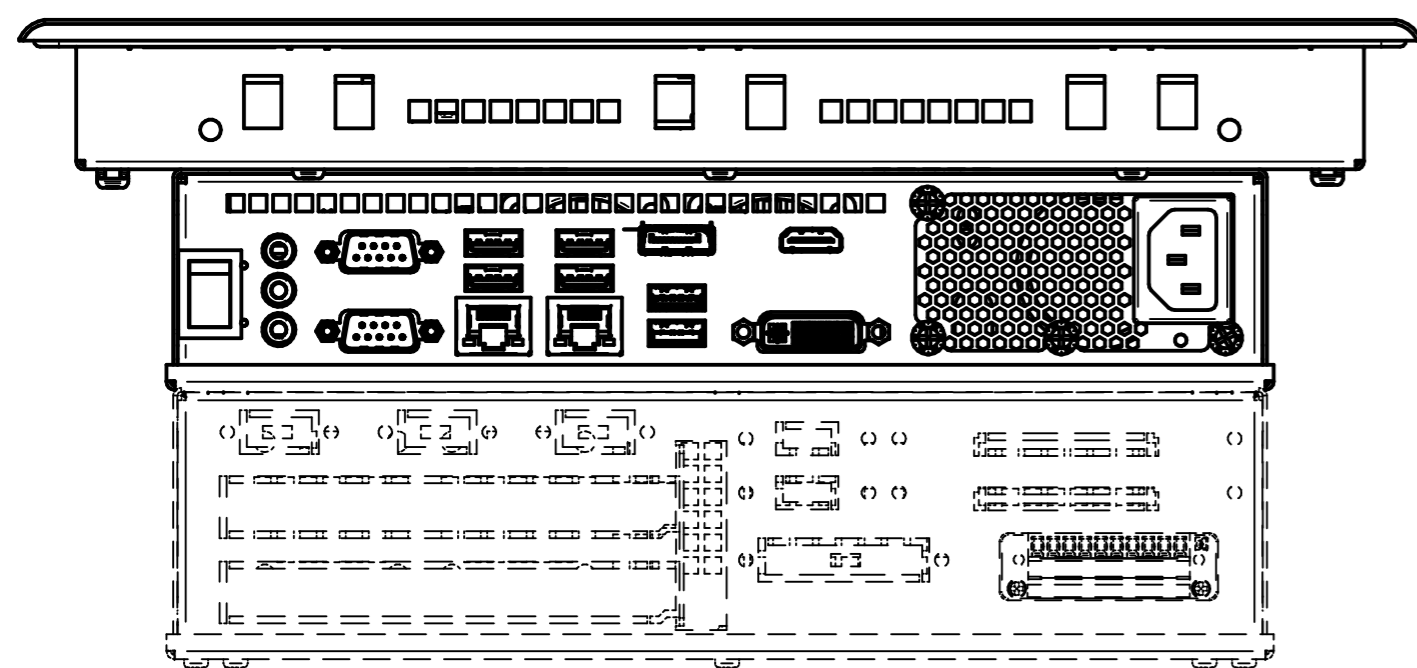
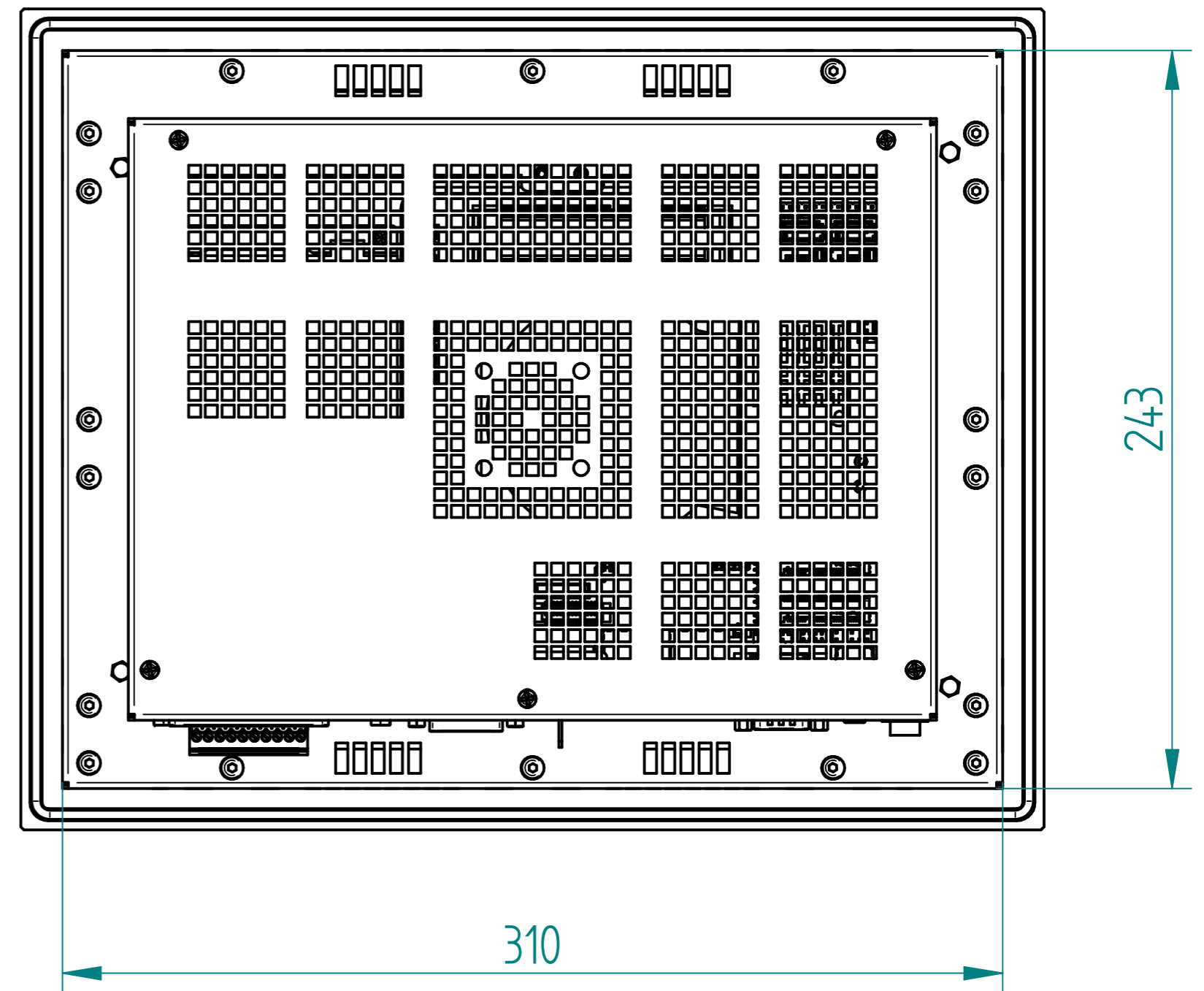
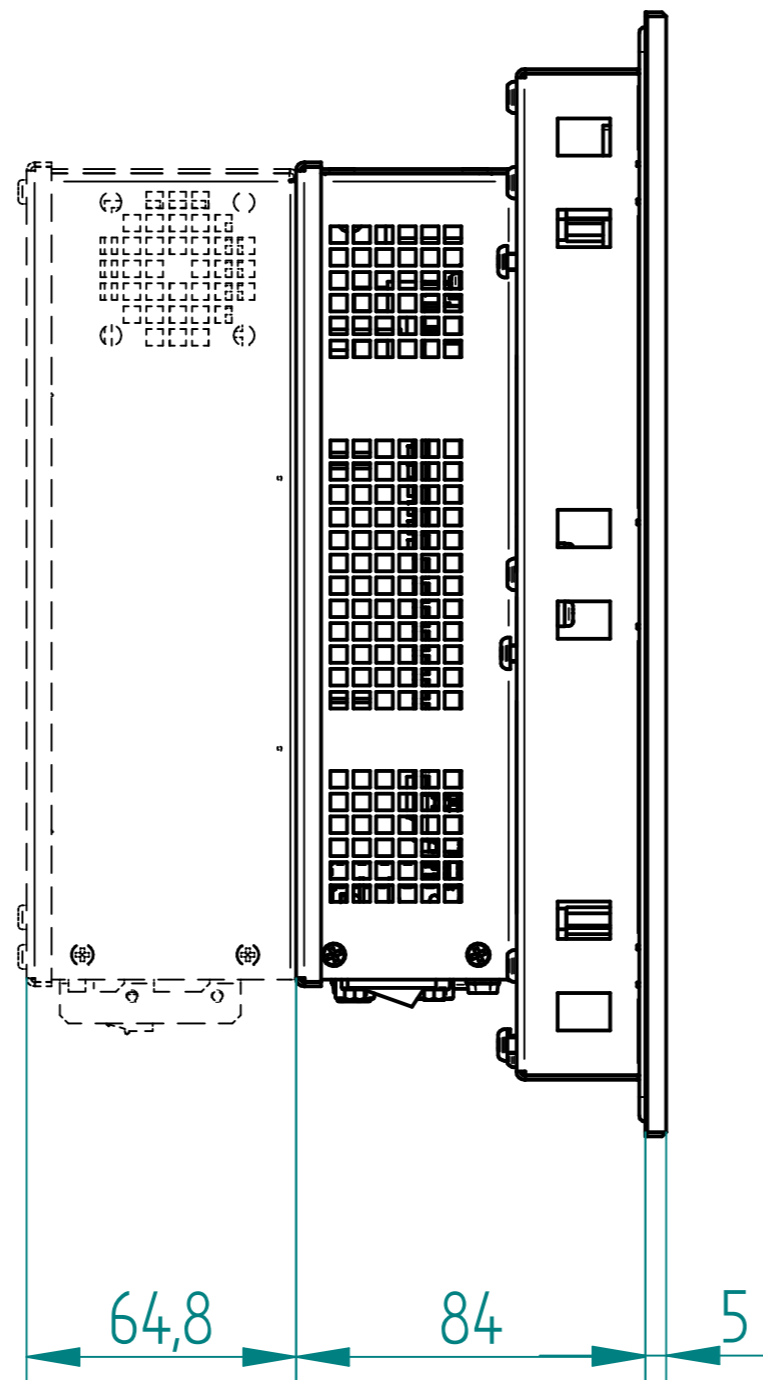
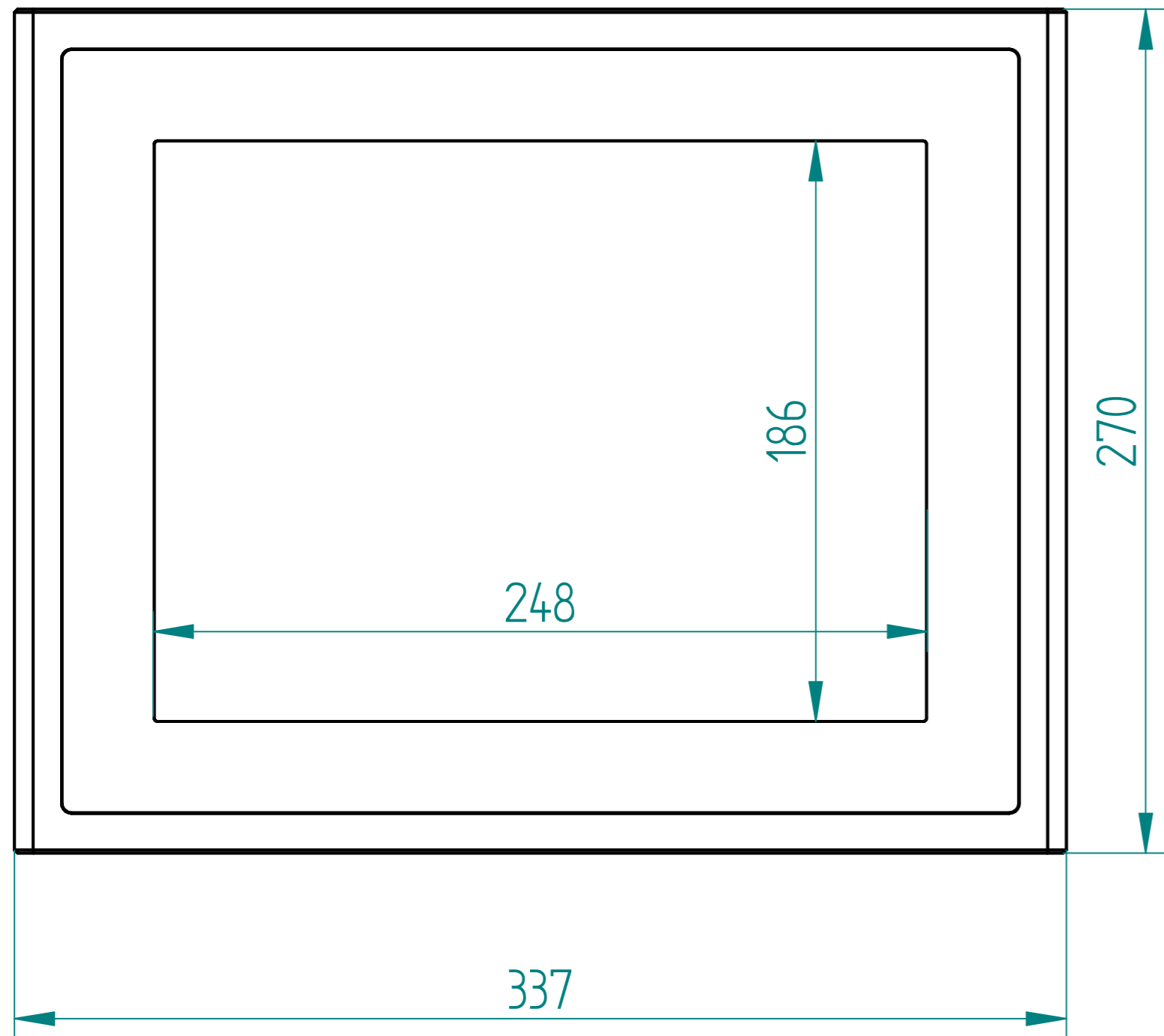
OPEN-FRAME FRONT PANEL VERSION

Specifications are subject to change without notice

 INDUSTRIAL AUTOMATION TECHNOLOGY	Elmak srl Via Luigi Barchi 1/A - 42124 - Reggio Emilia - Italy
	VIEW TYPE OPEN-FRAME FRONT PANEL VERSION
MACHINE NAME PPE 110	

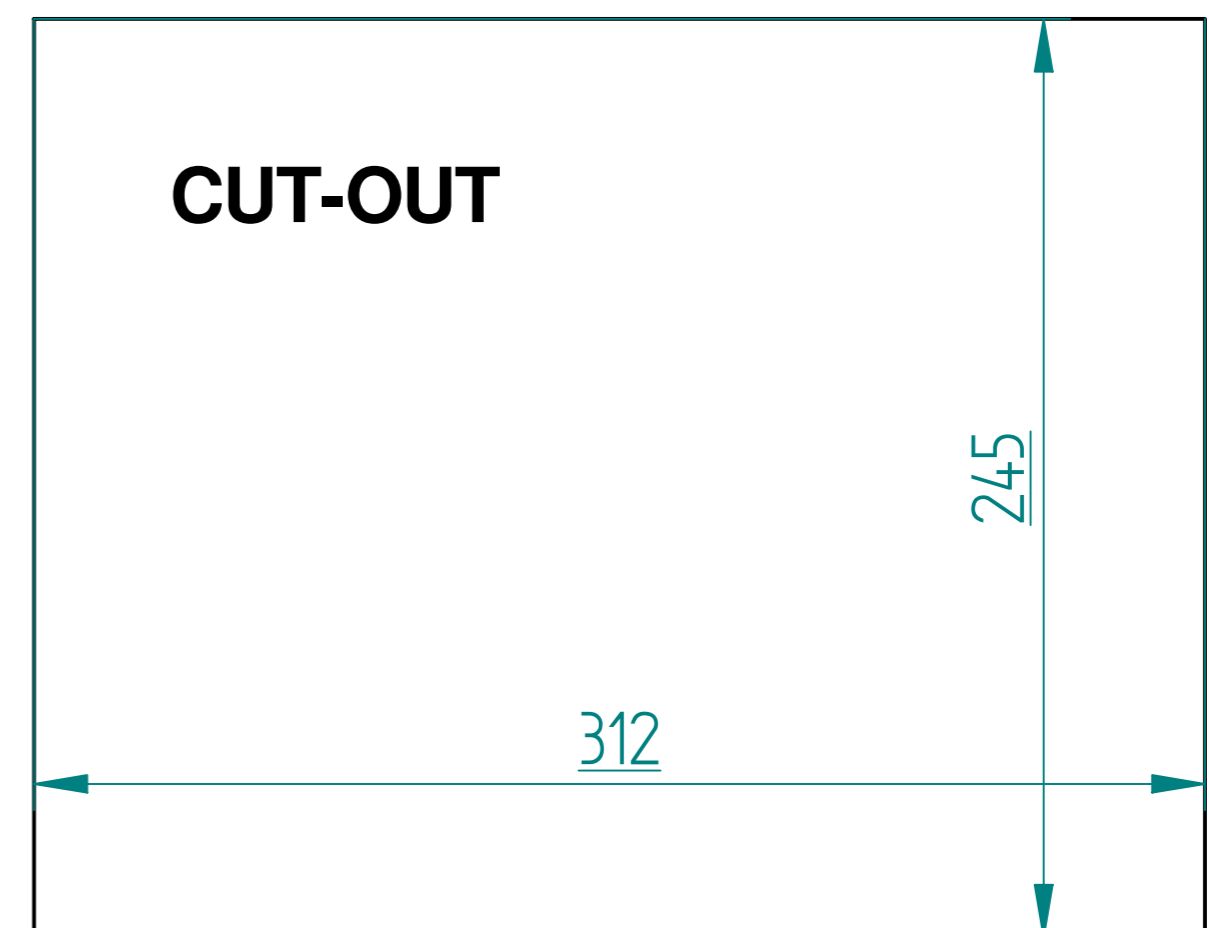
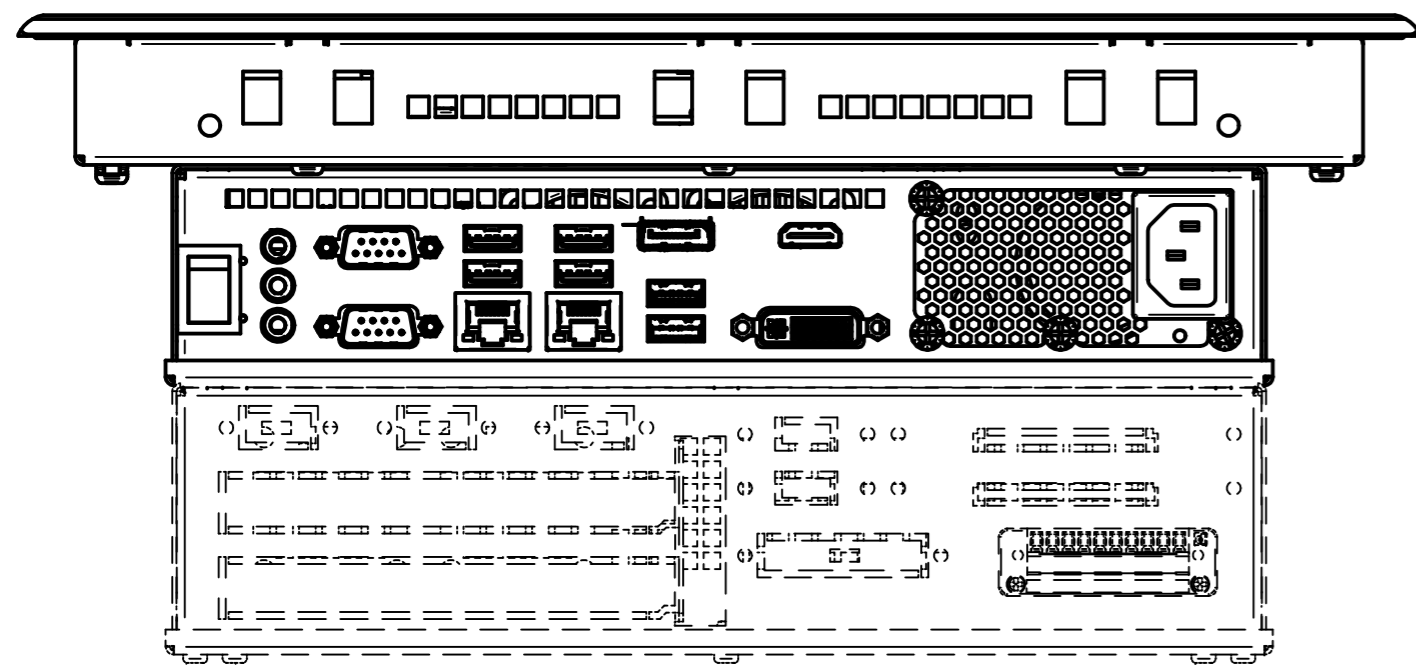
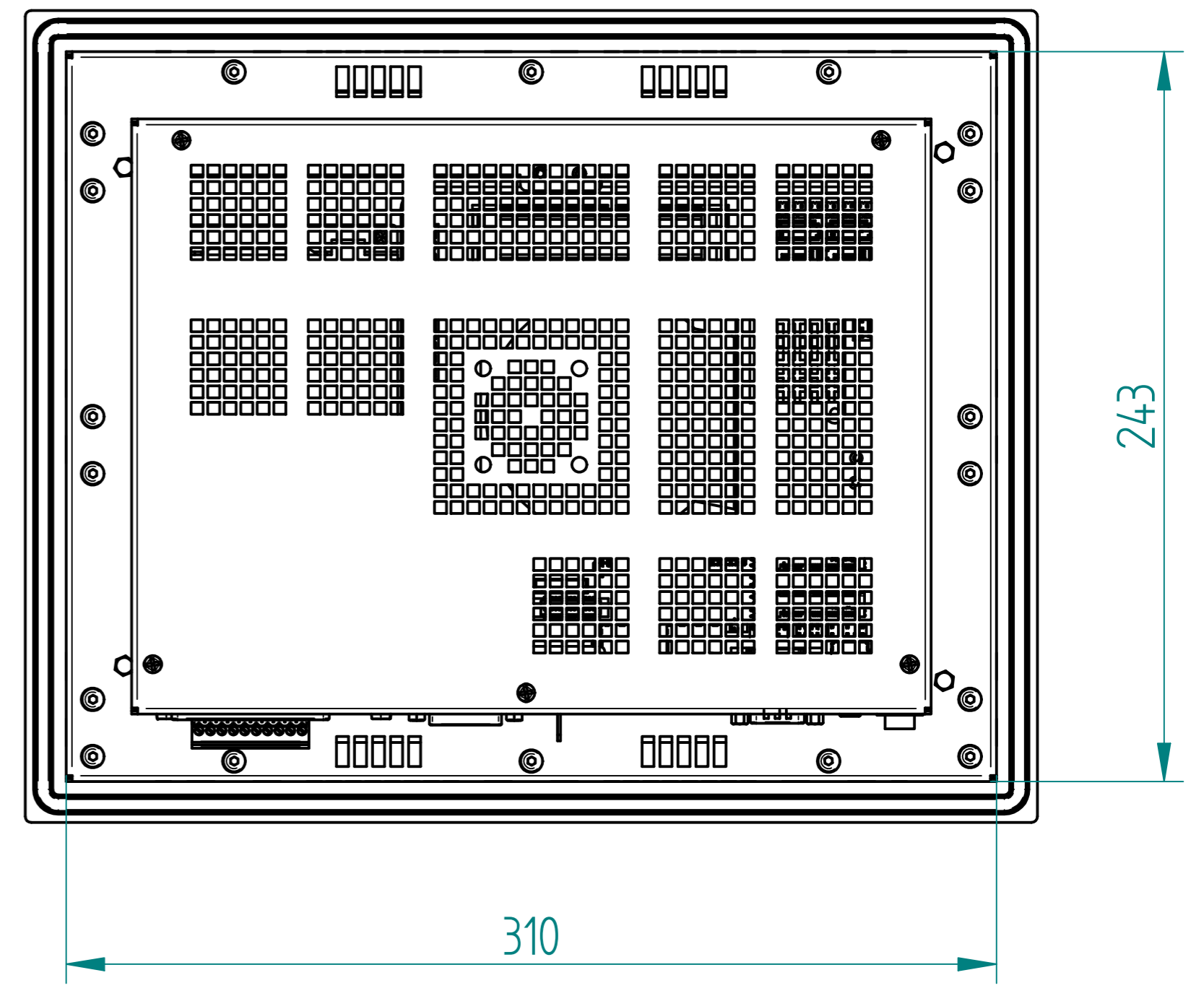
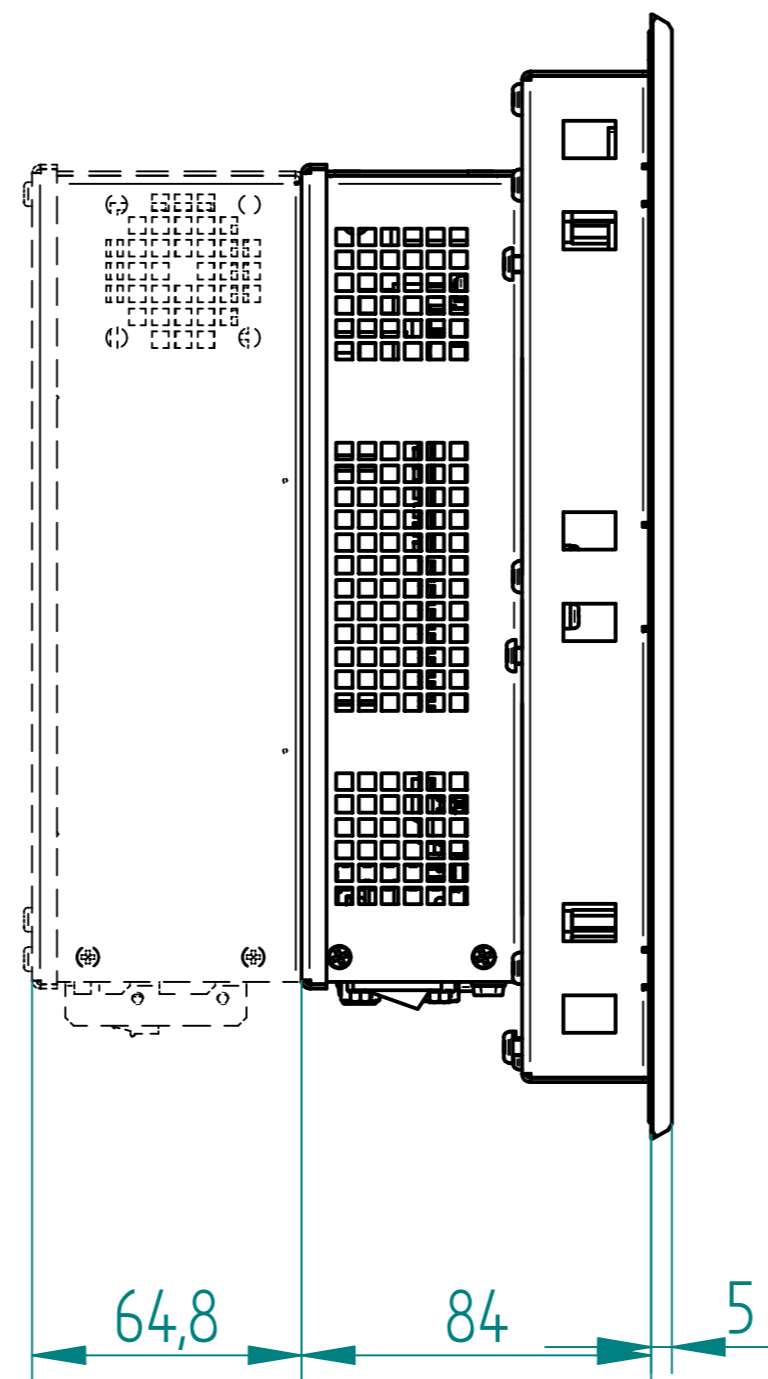
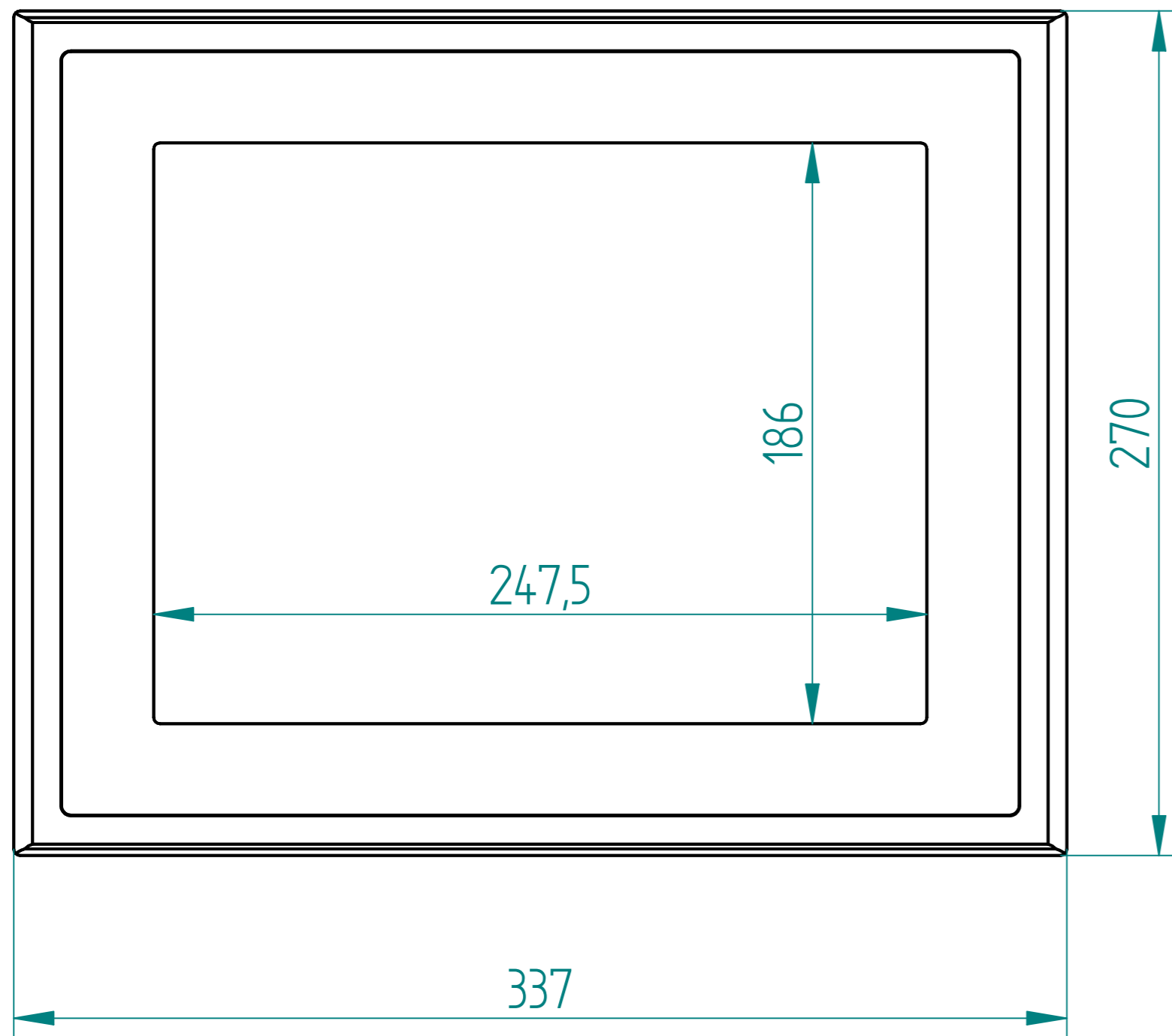


STANDARD FRONT PANEL VERSION

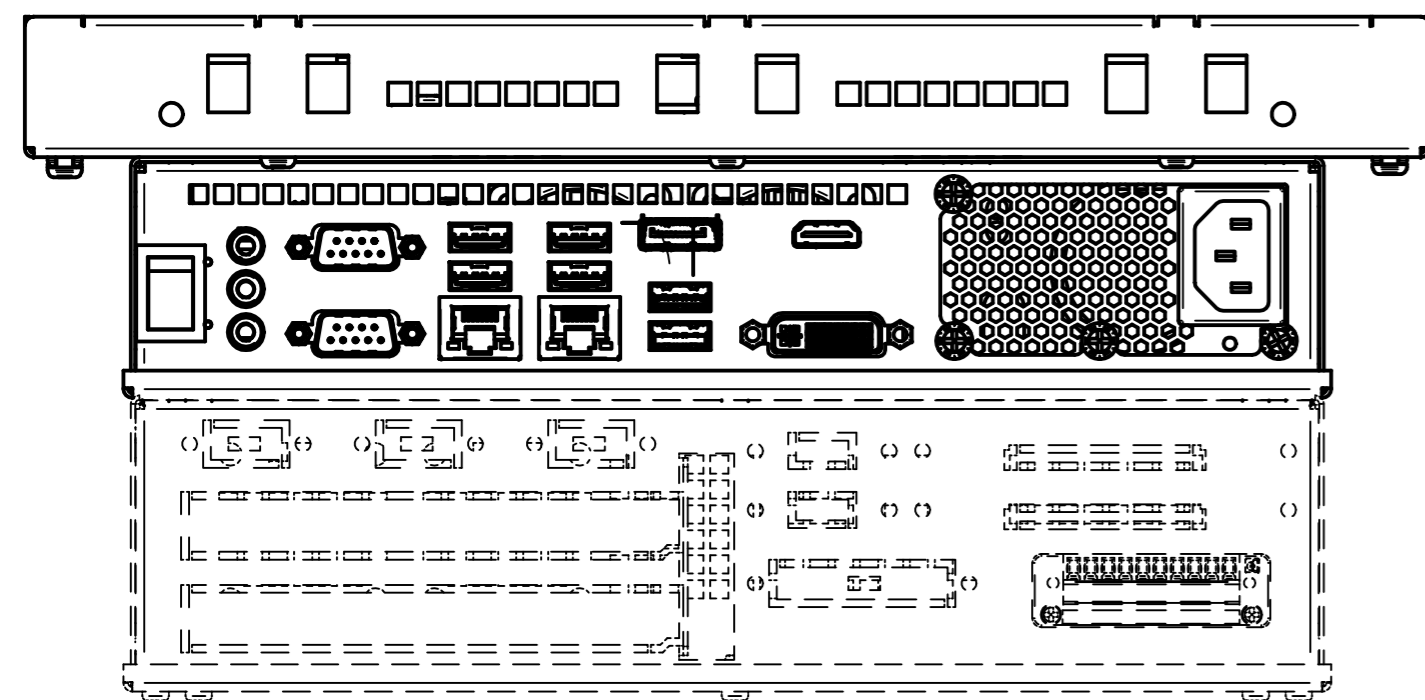
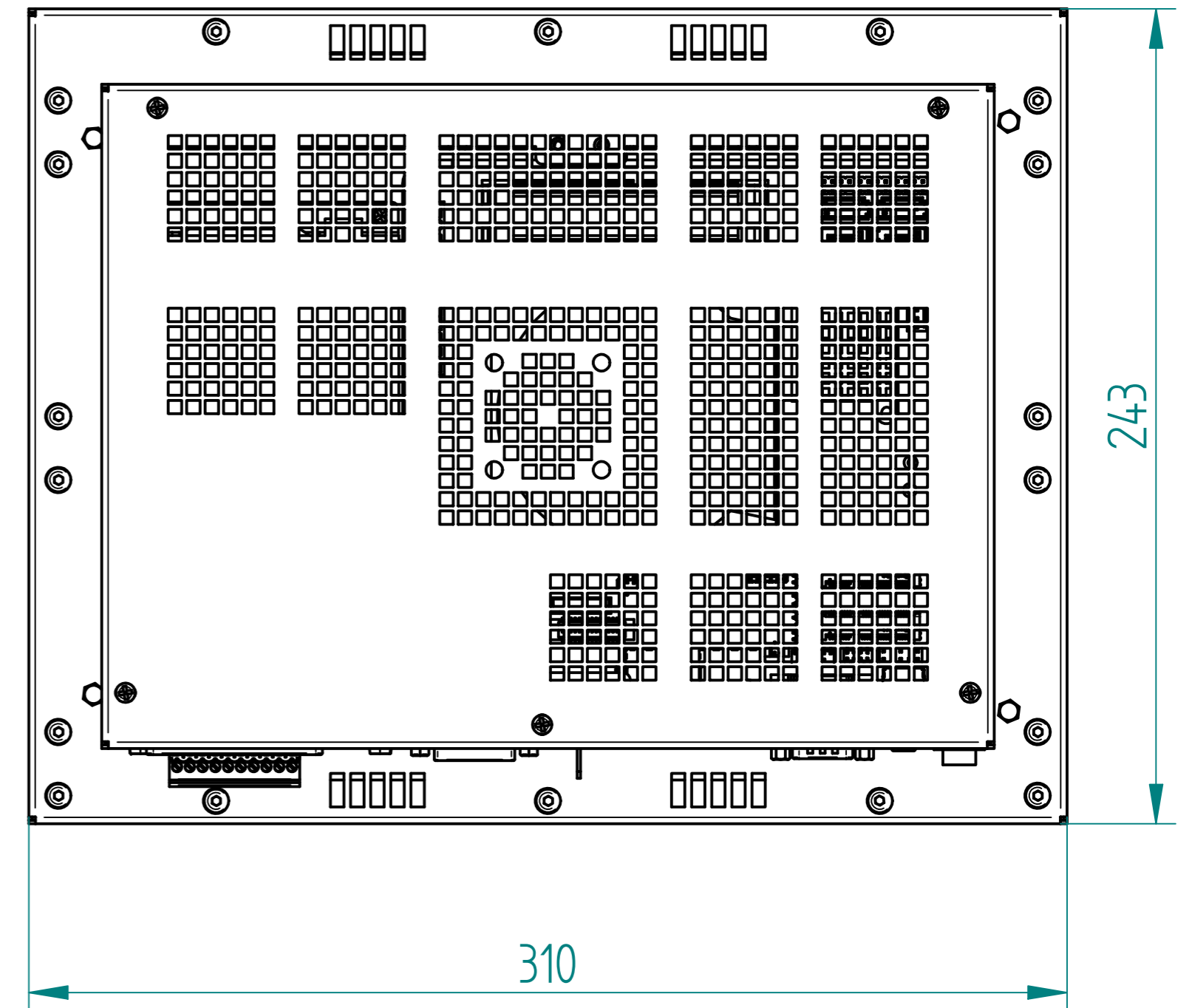
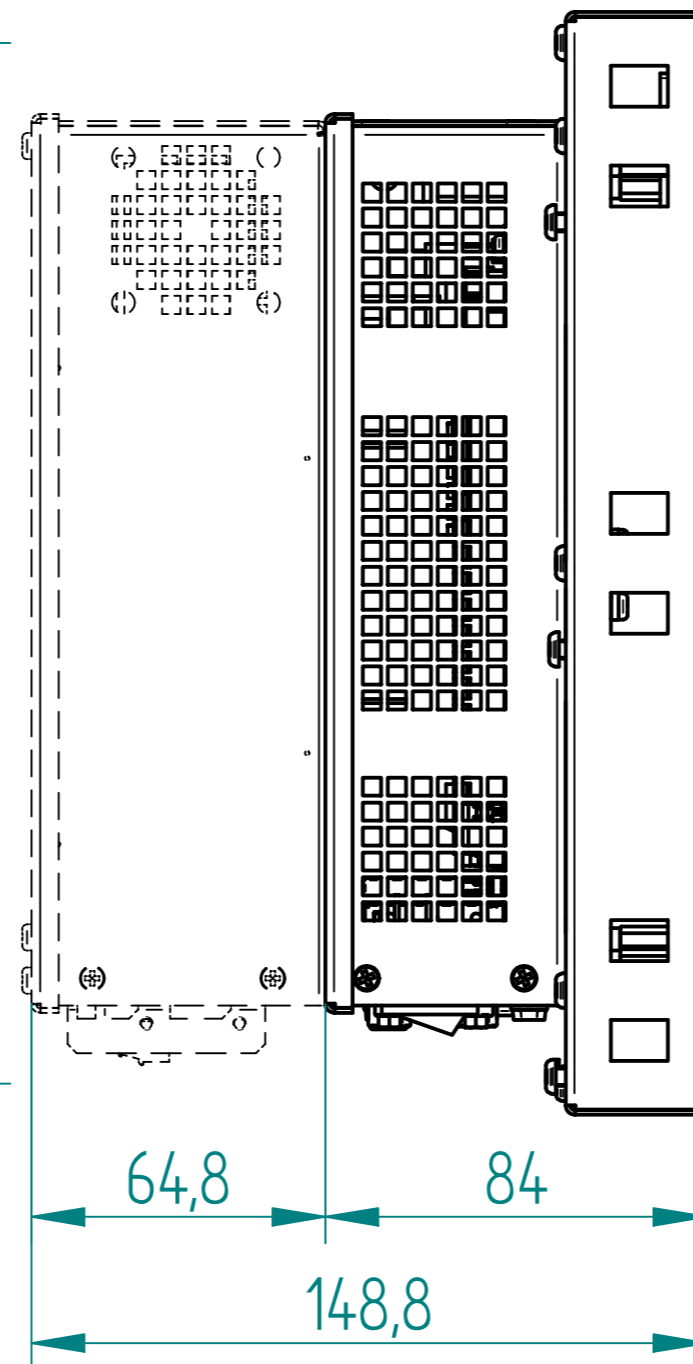
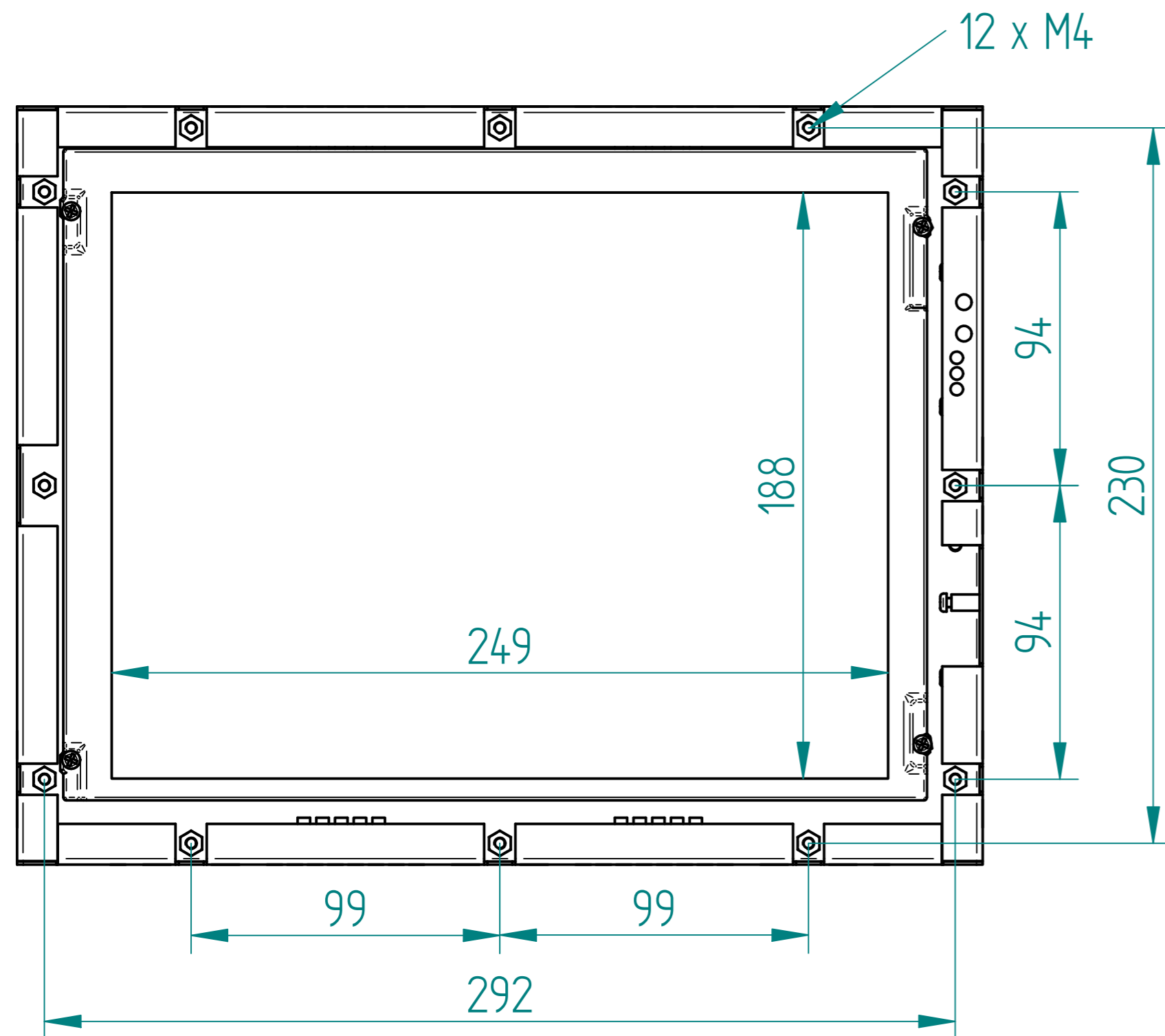


PCT-RTF FRONT PANEL VERSION

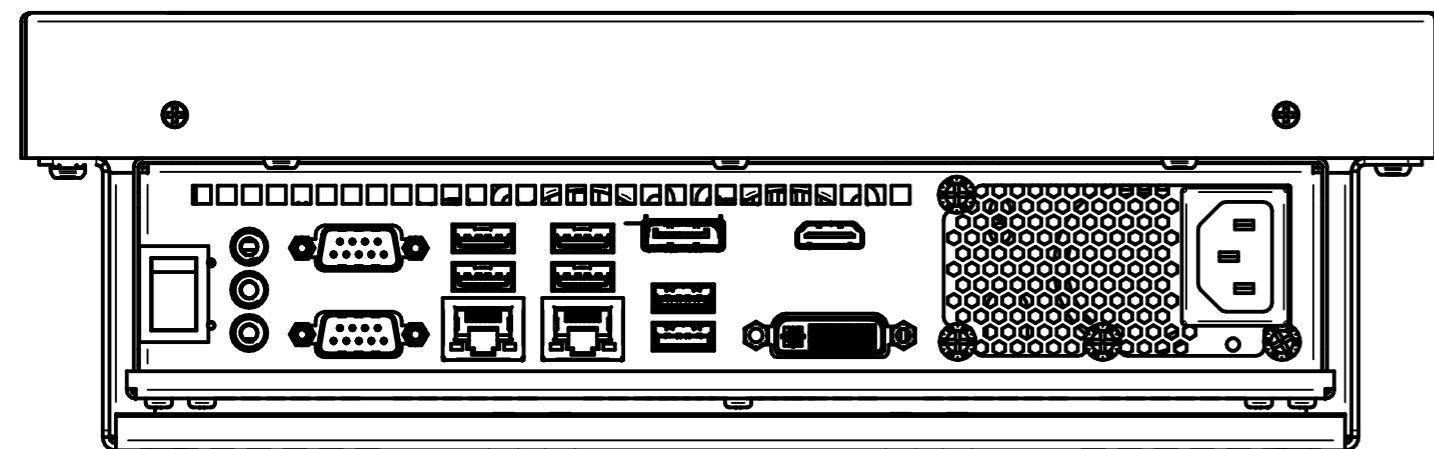
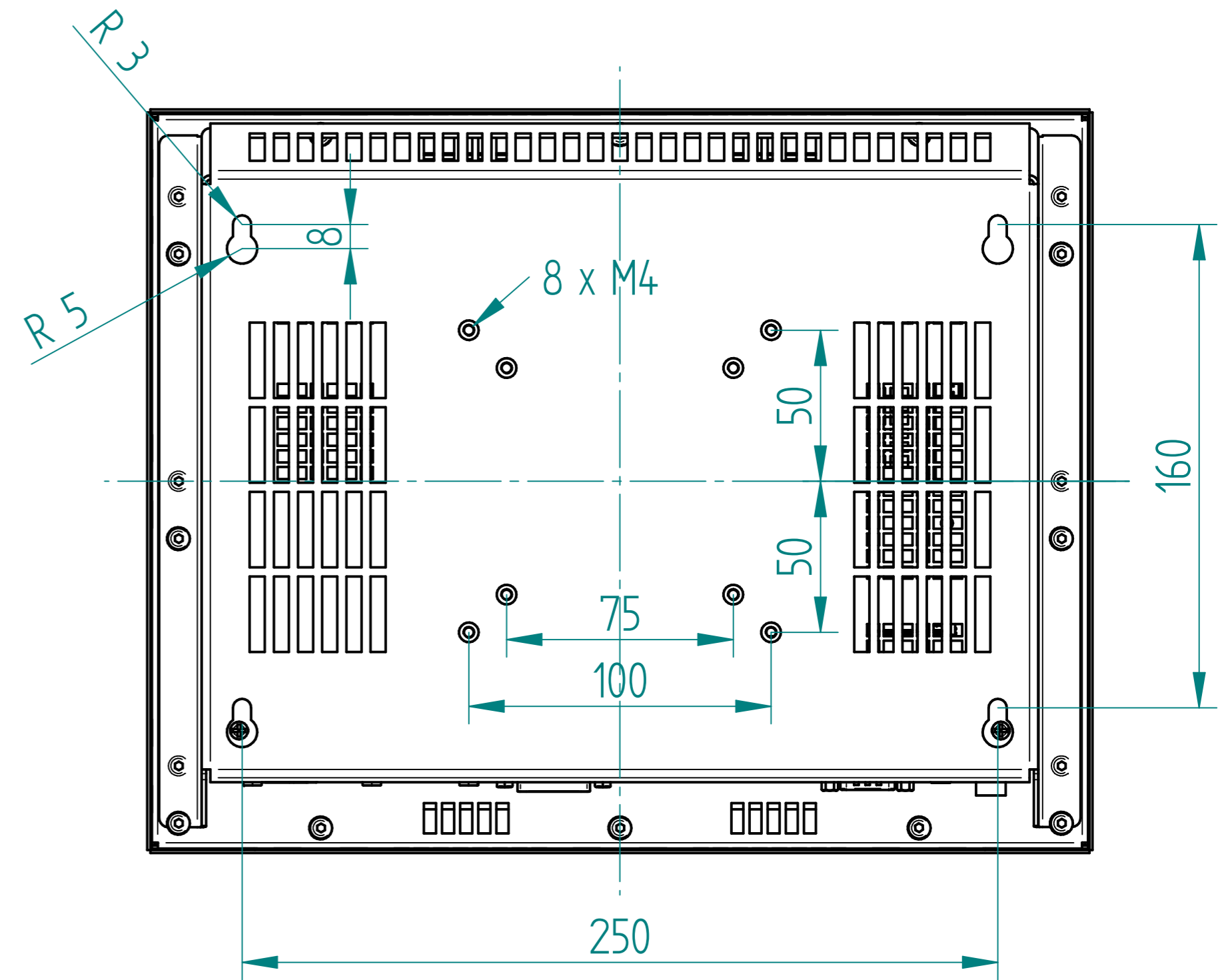
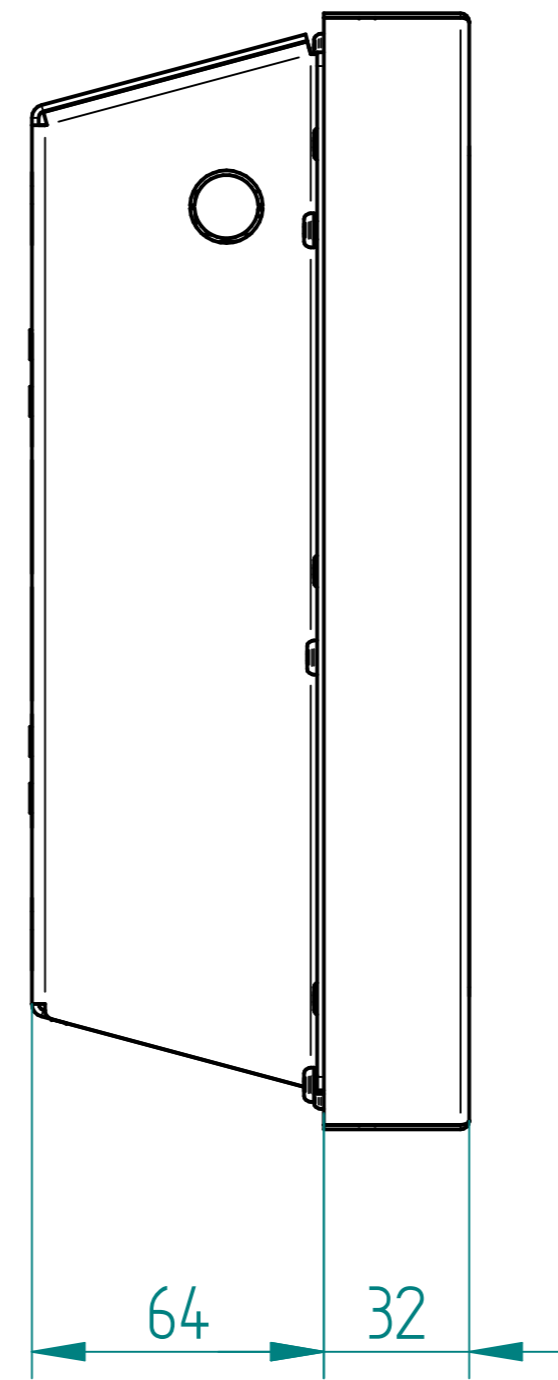
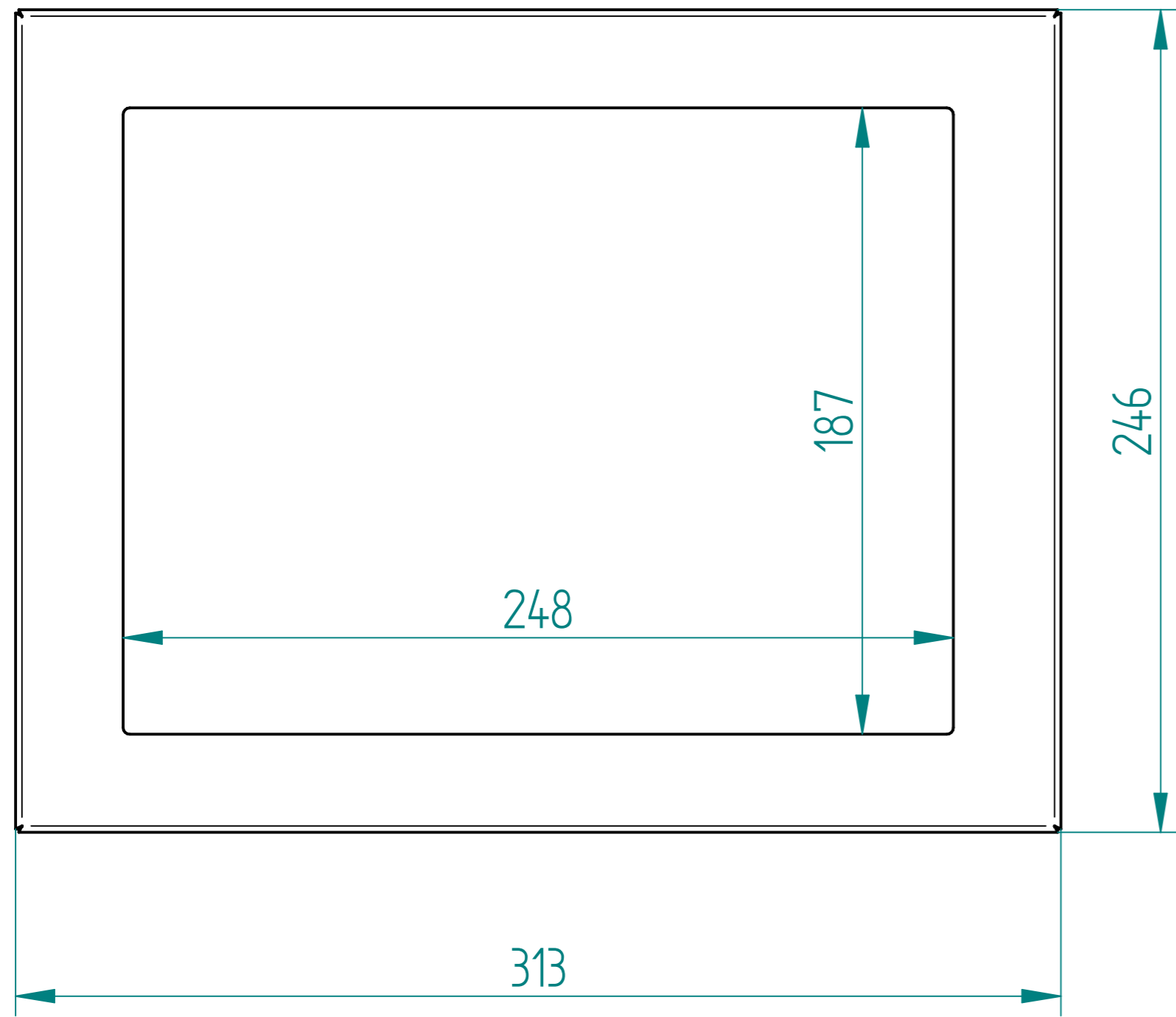
Specifications are subject to change without notice.



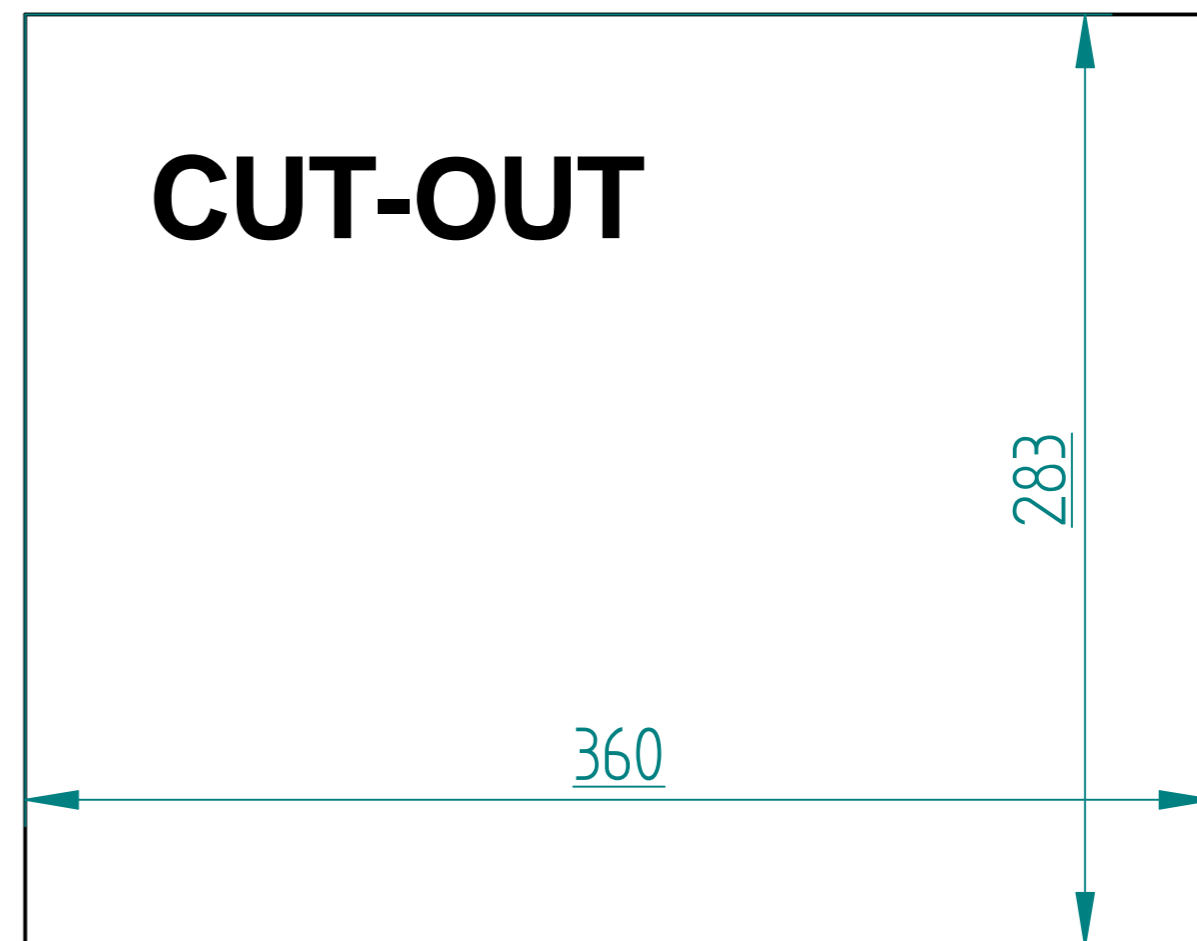
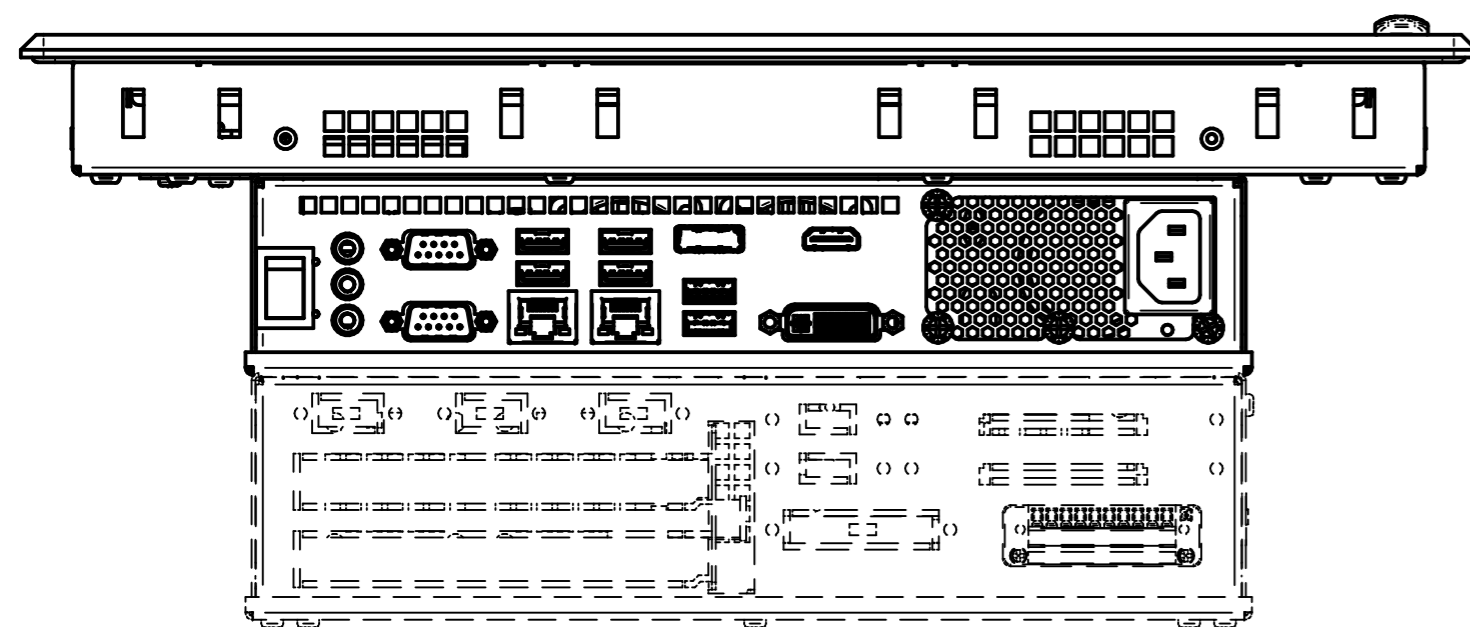
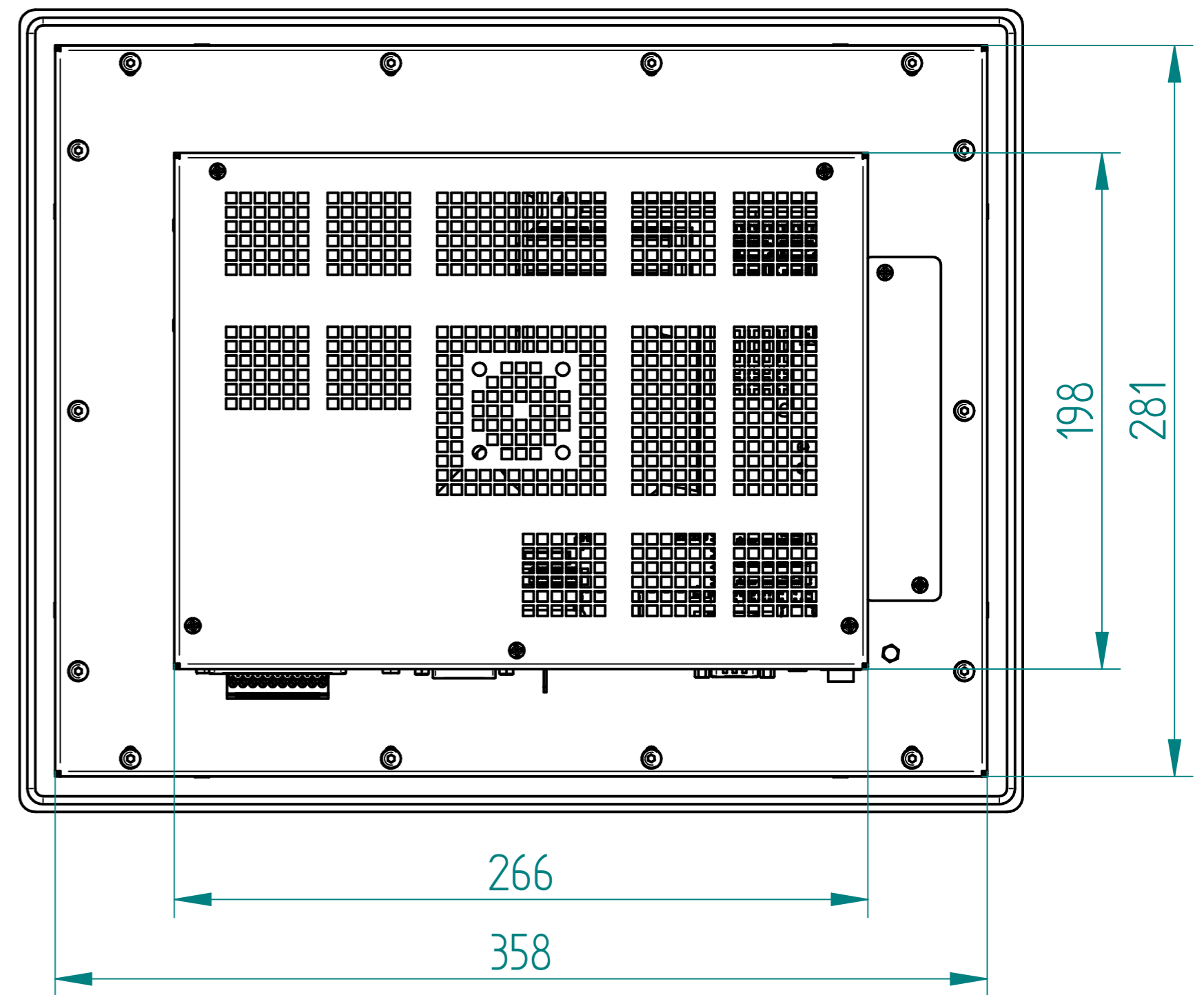
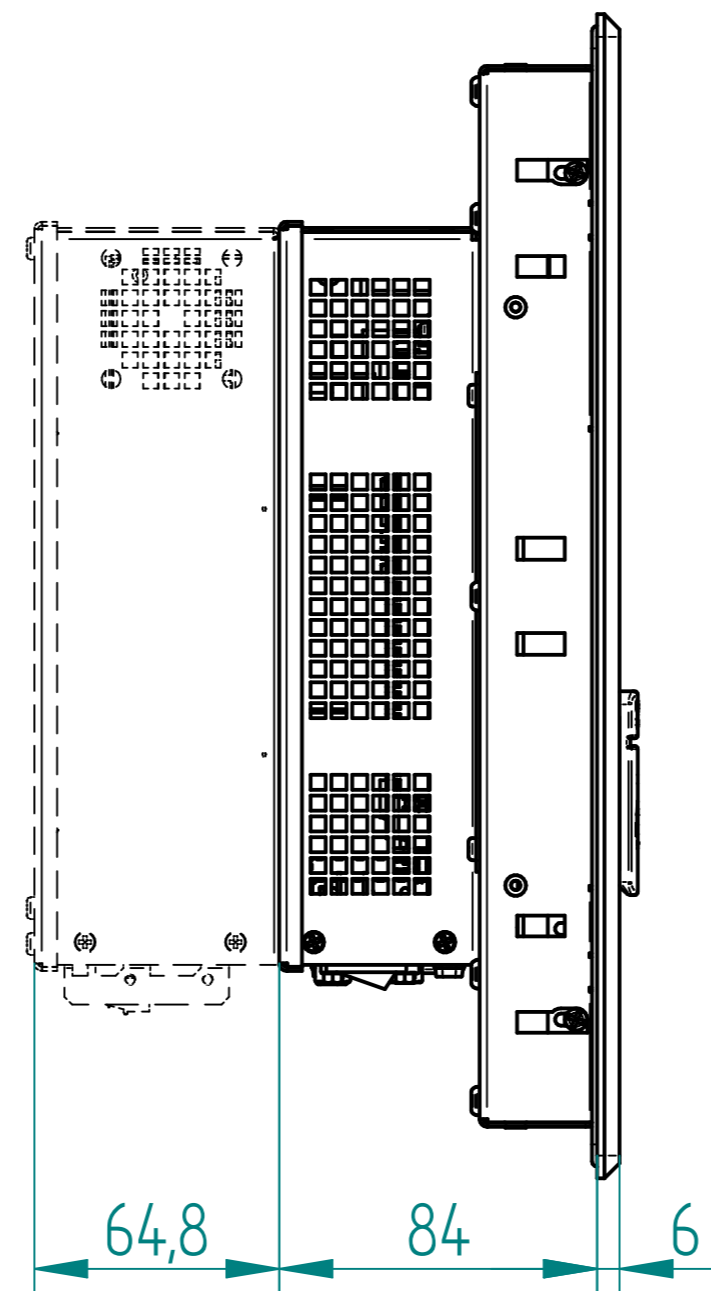
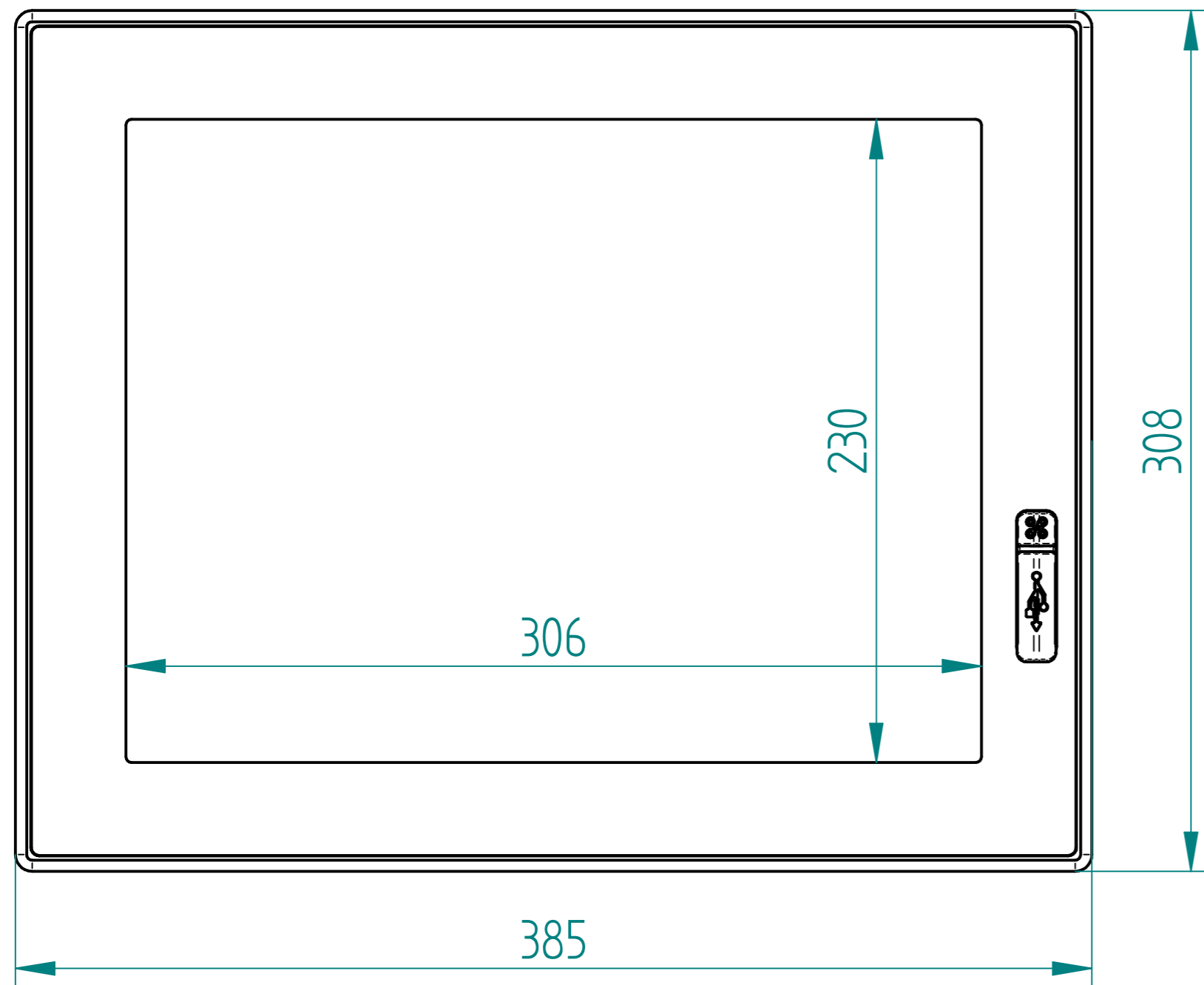
PCTX-RTFX FRONT PANEL VERSION



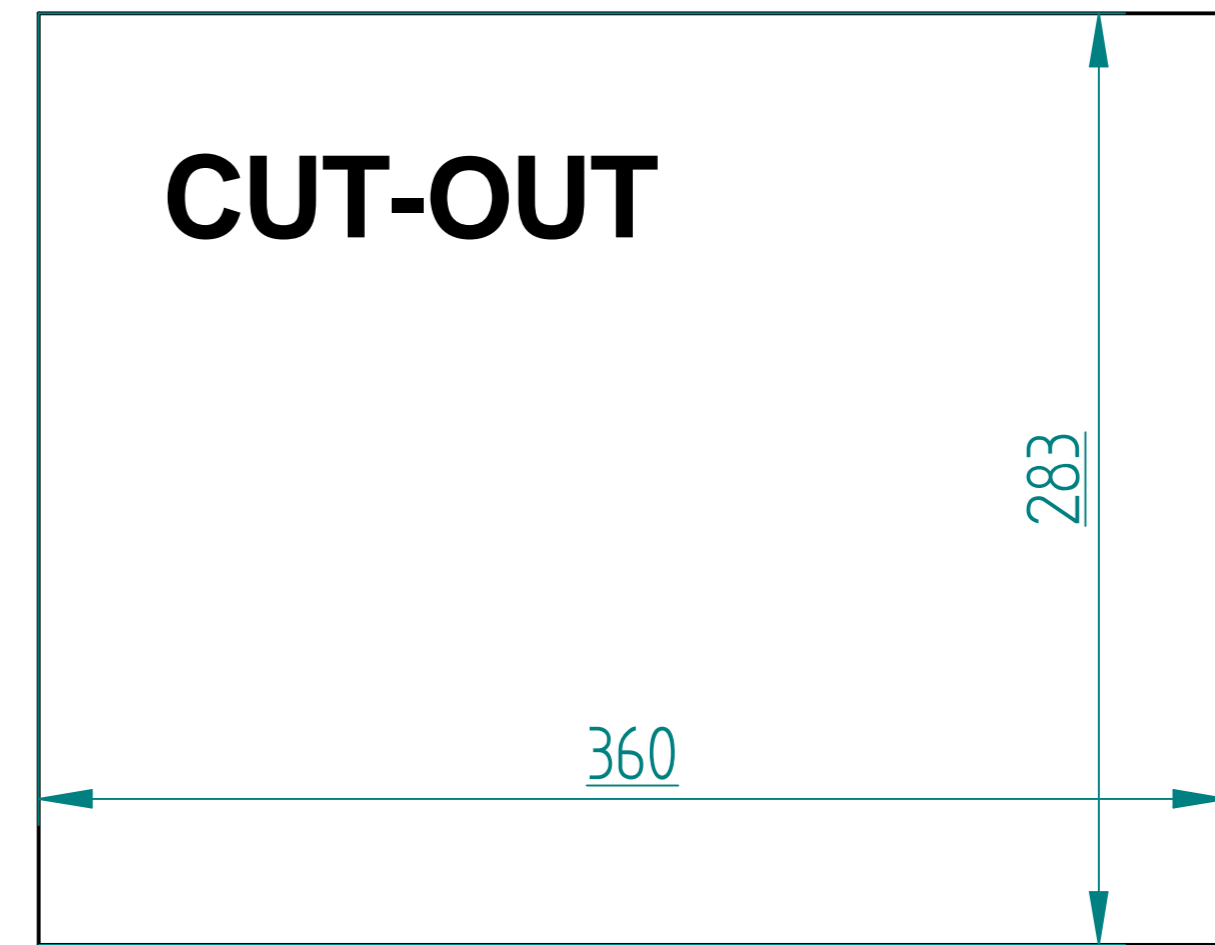
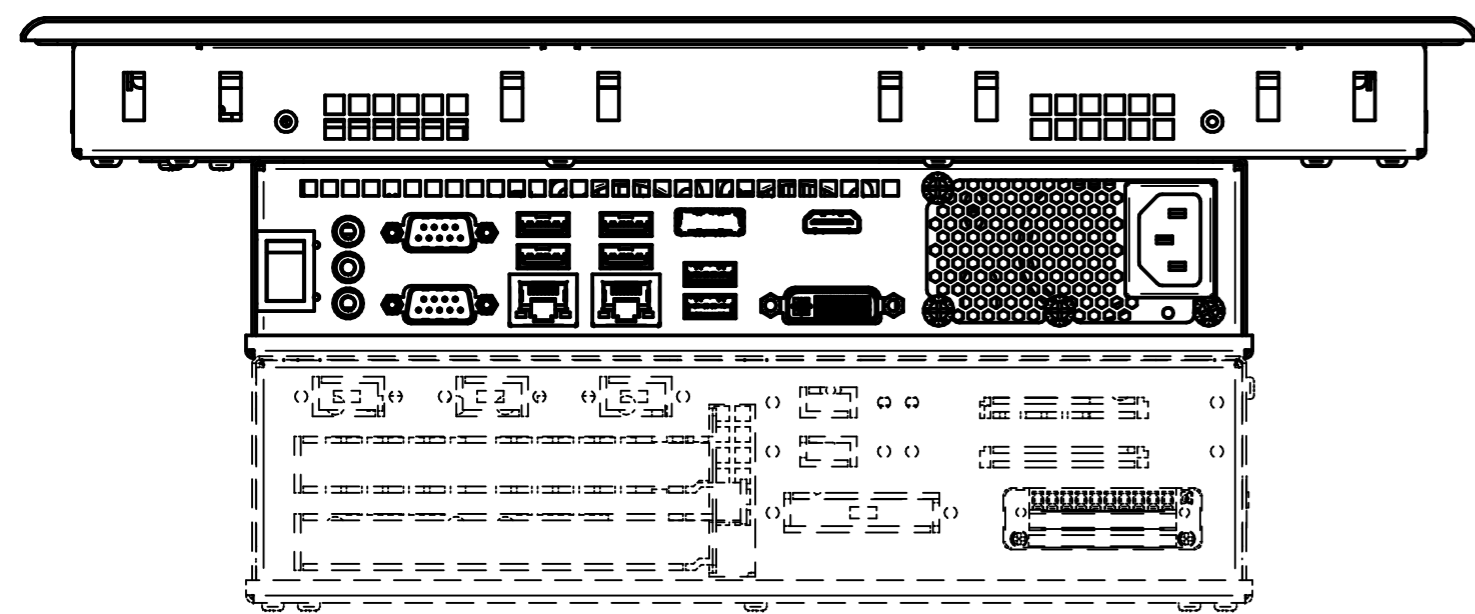
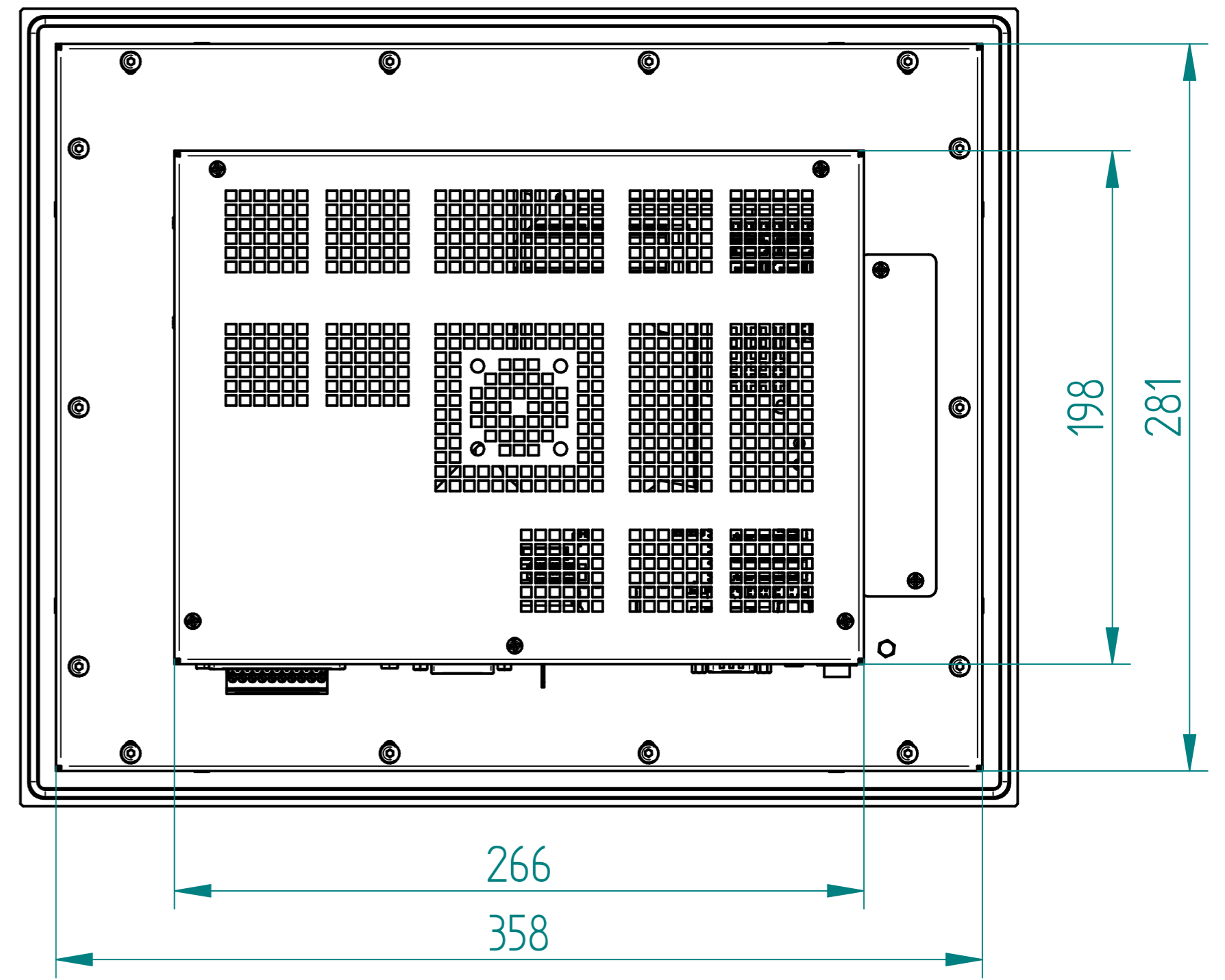
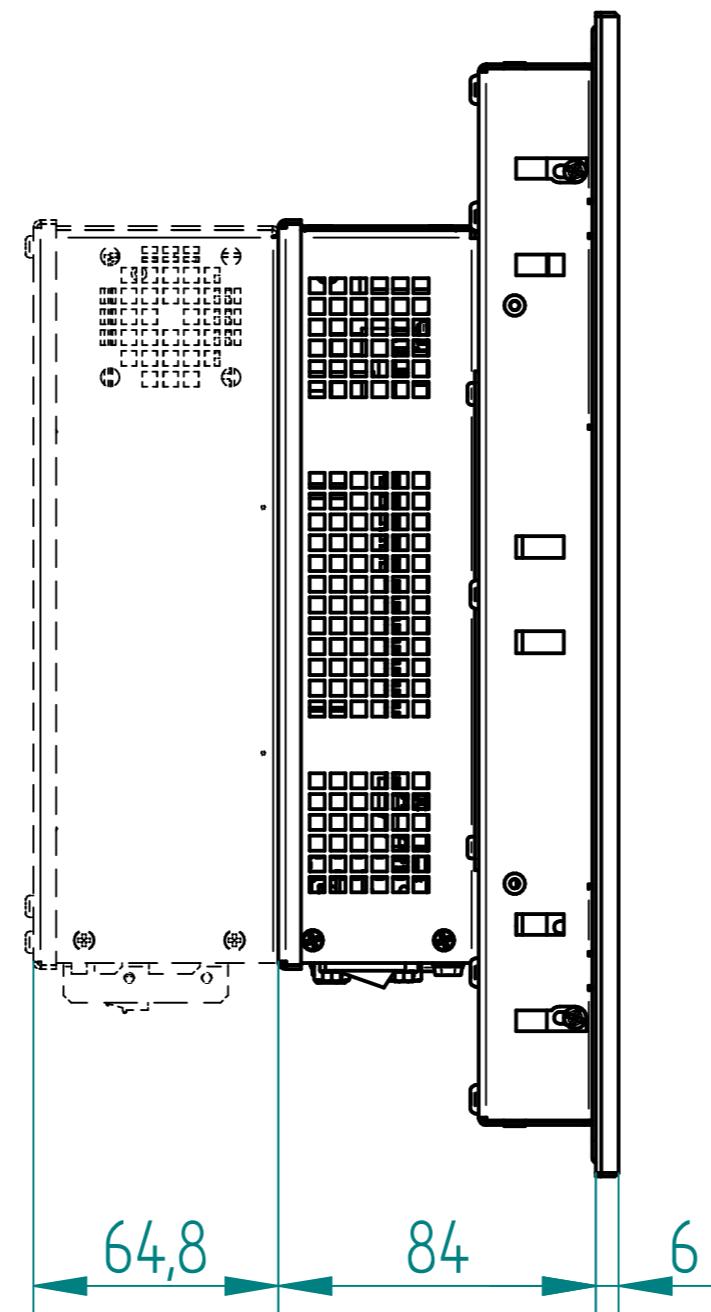
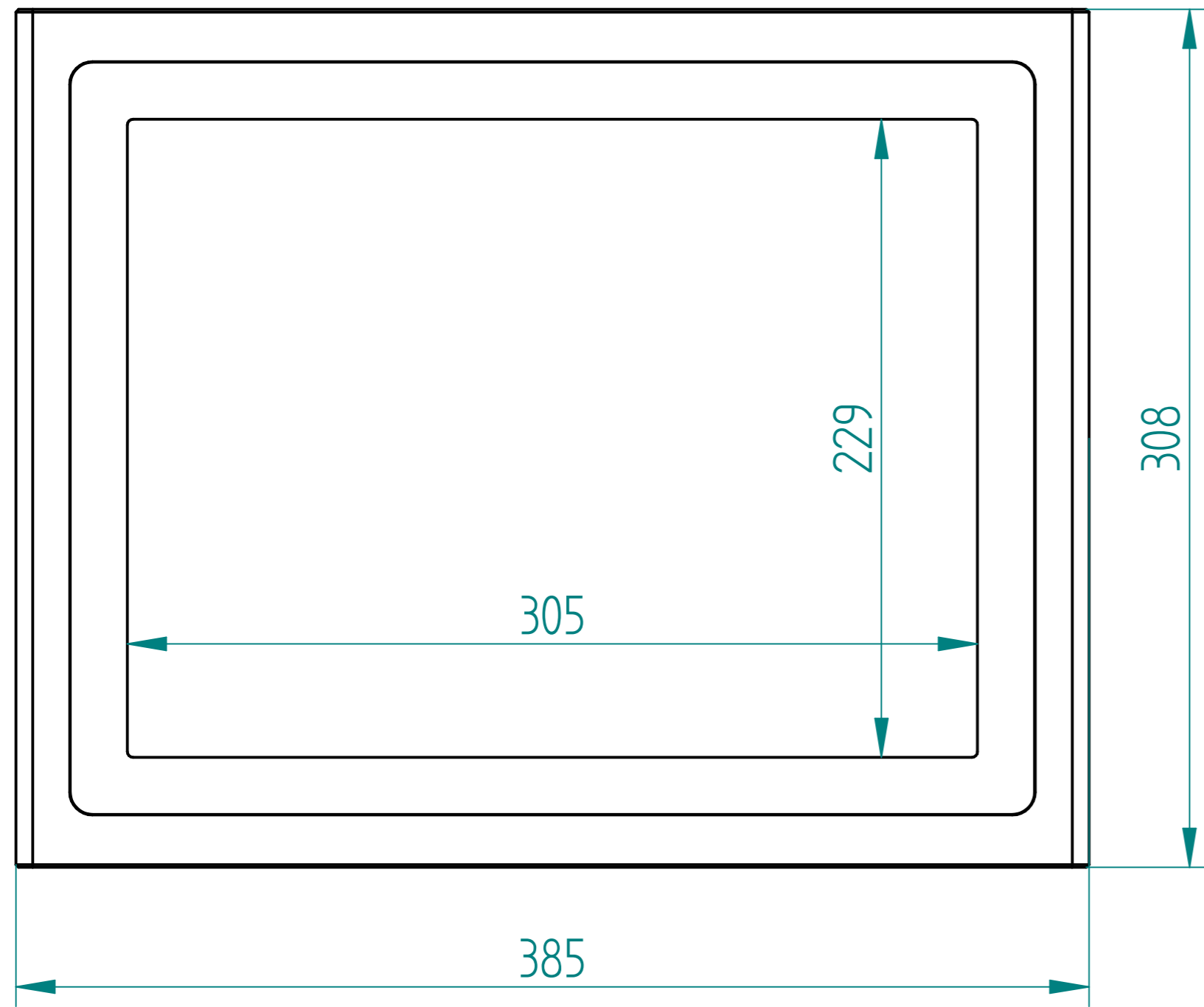
OPEN-FRAME FRONT PANEL VERSION



METAL CASE VERSION

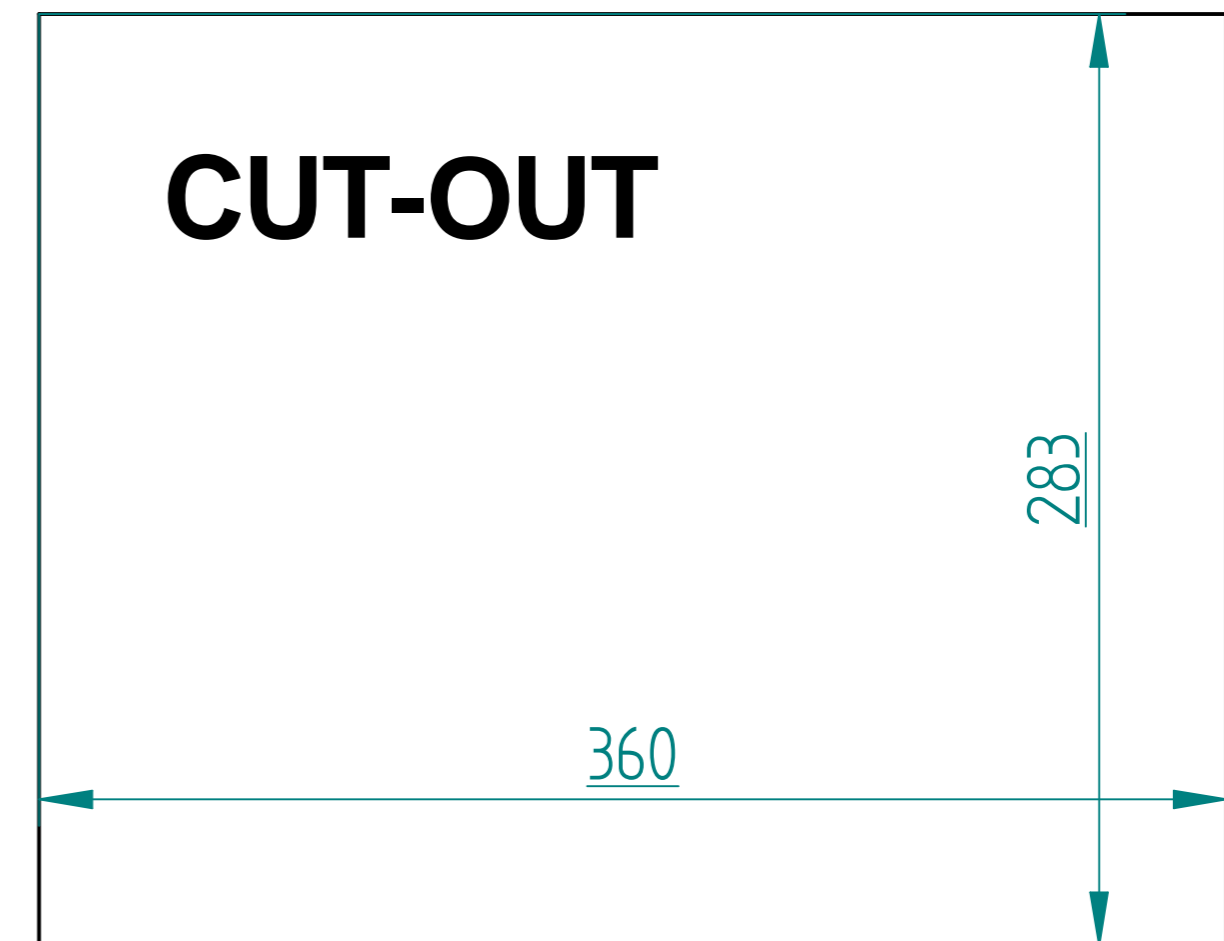
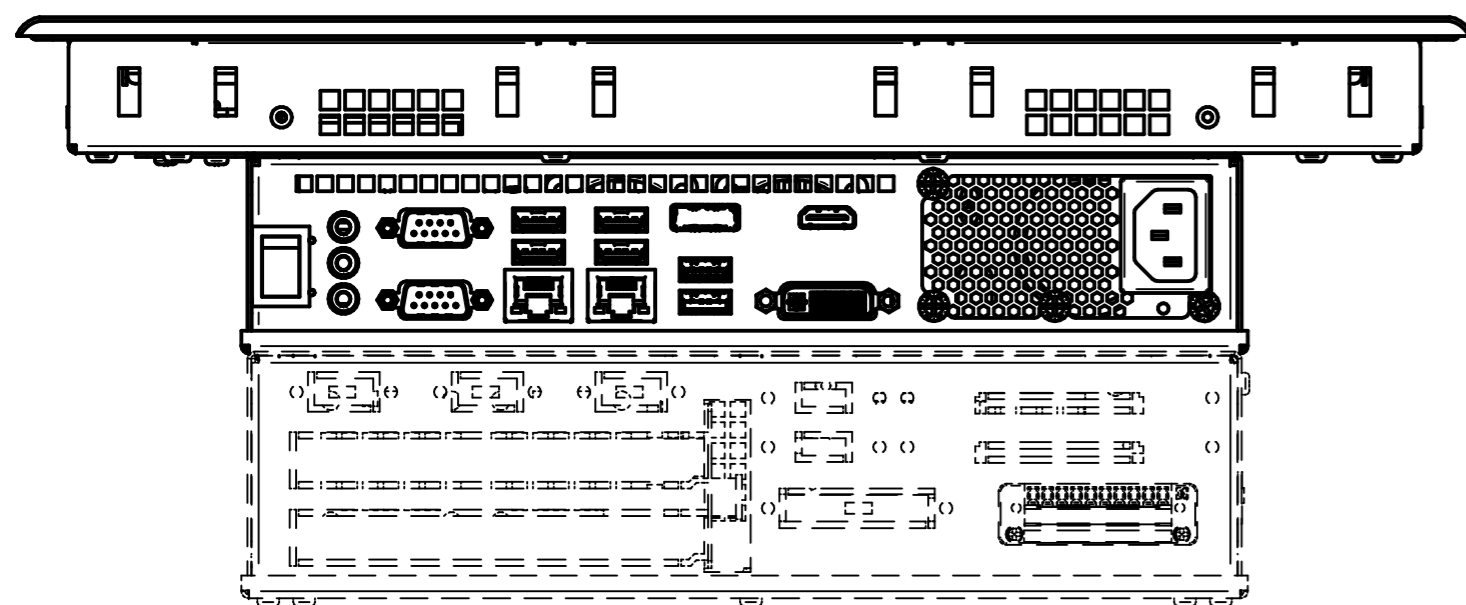
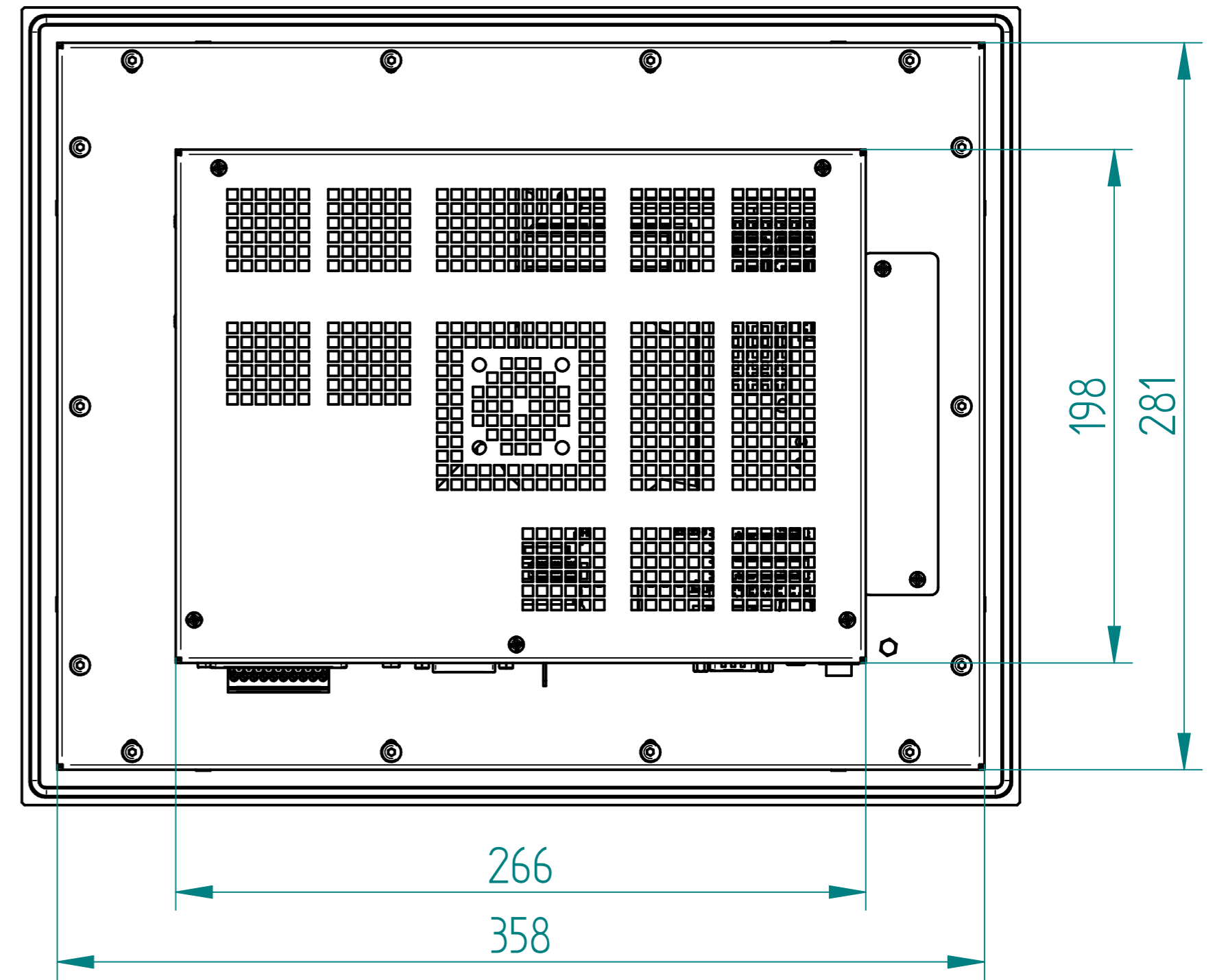
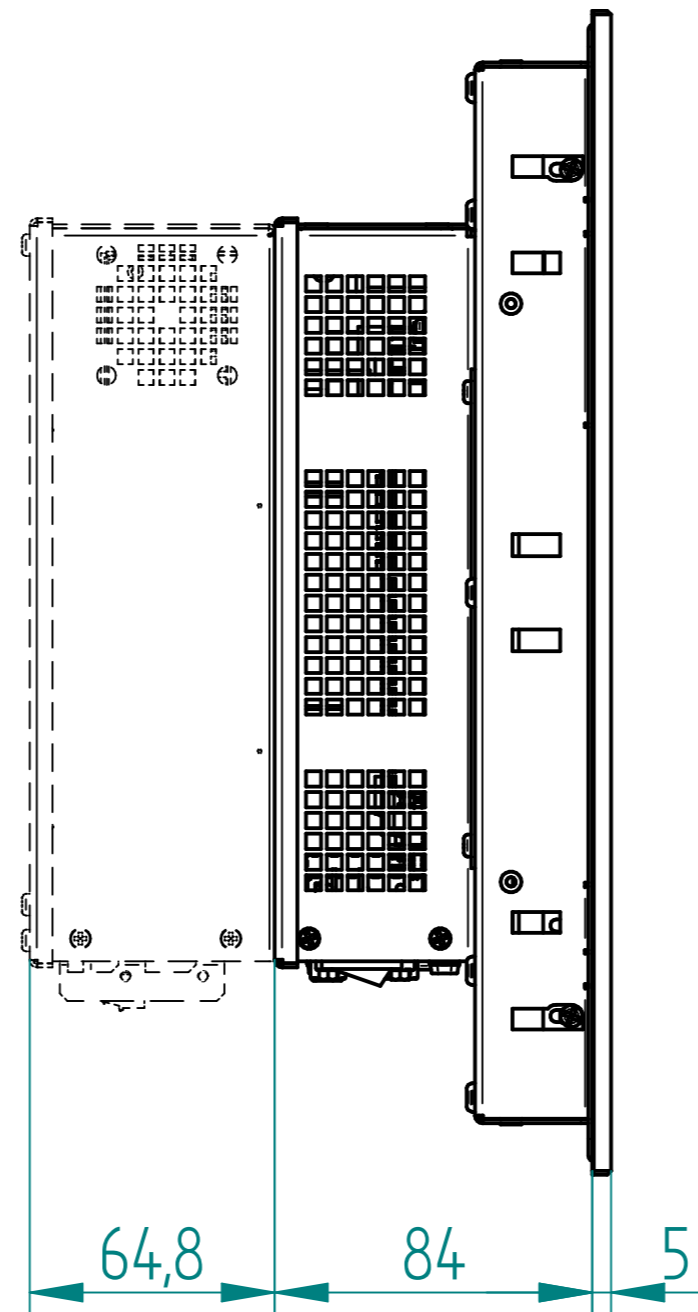
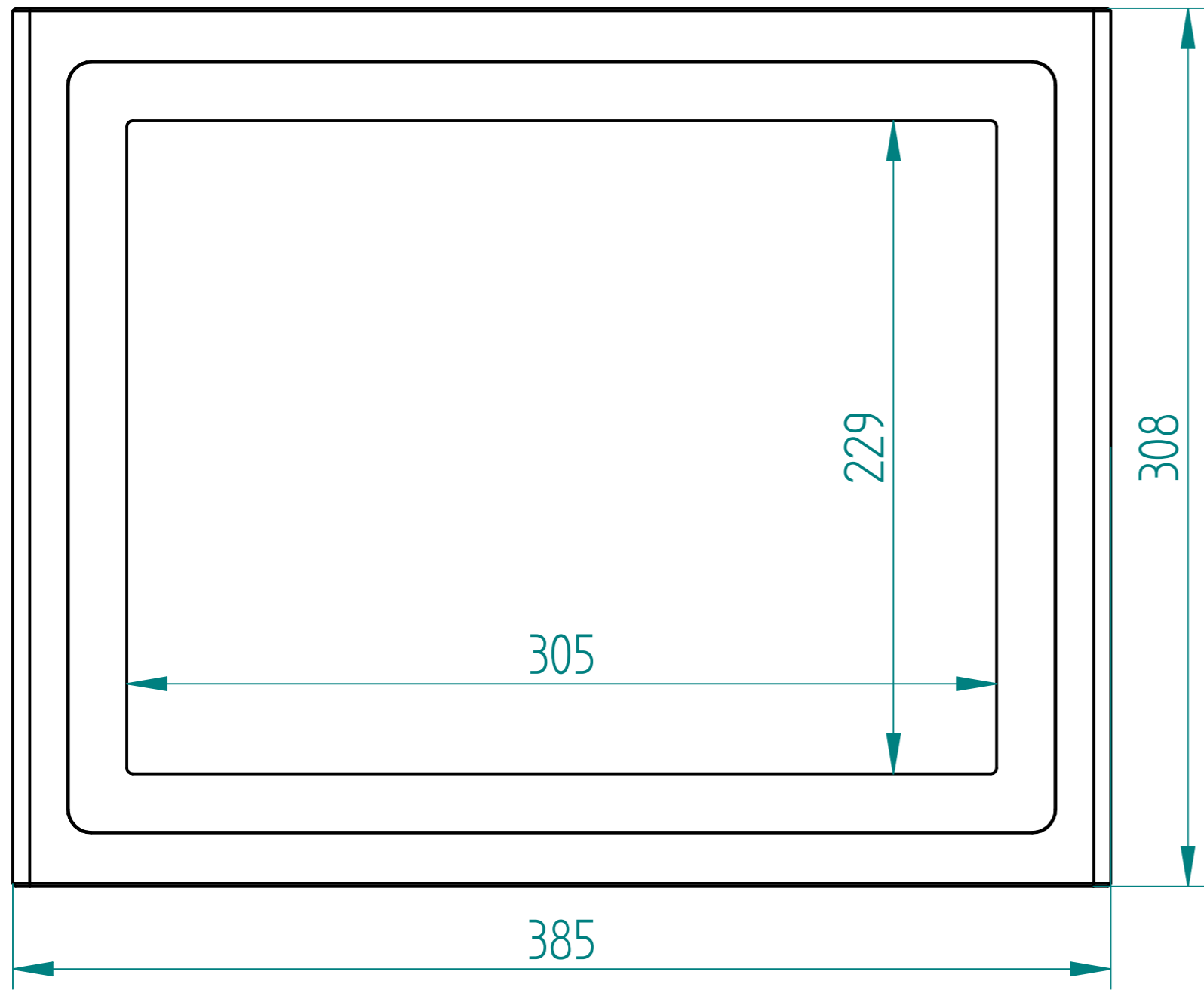


STANDARD FRONT PANEL VERSION



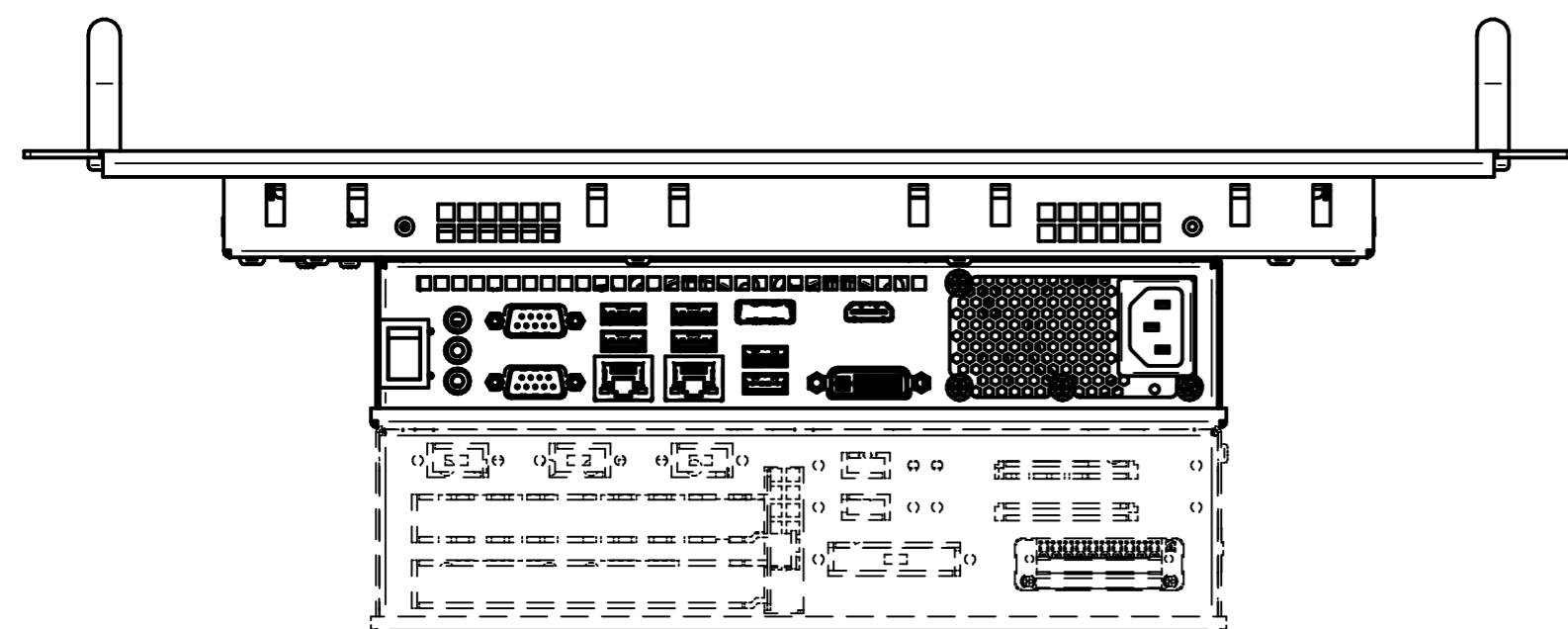
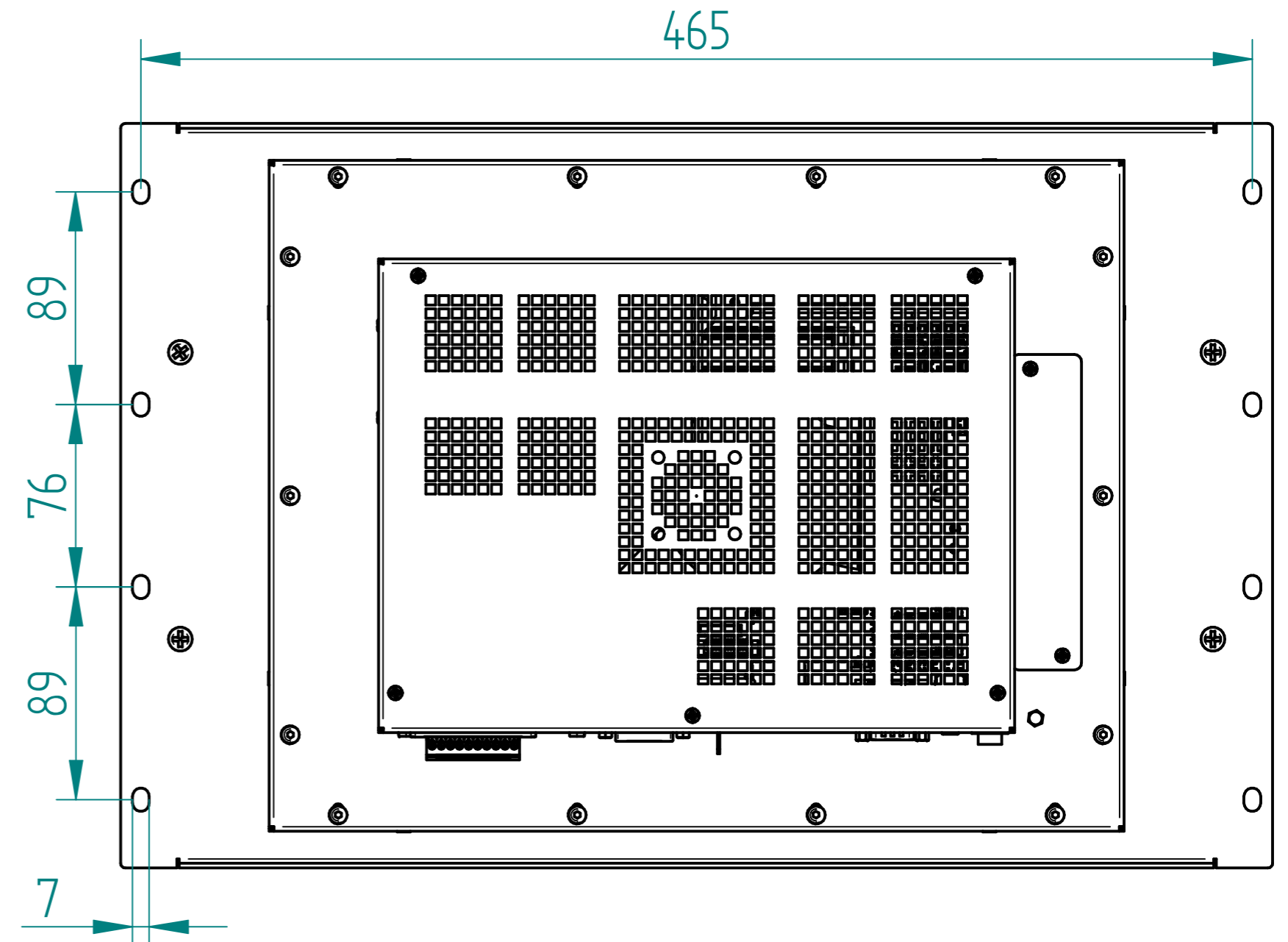
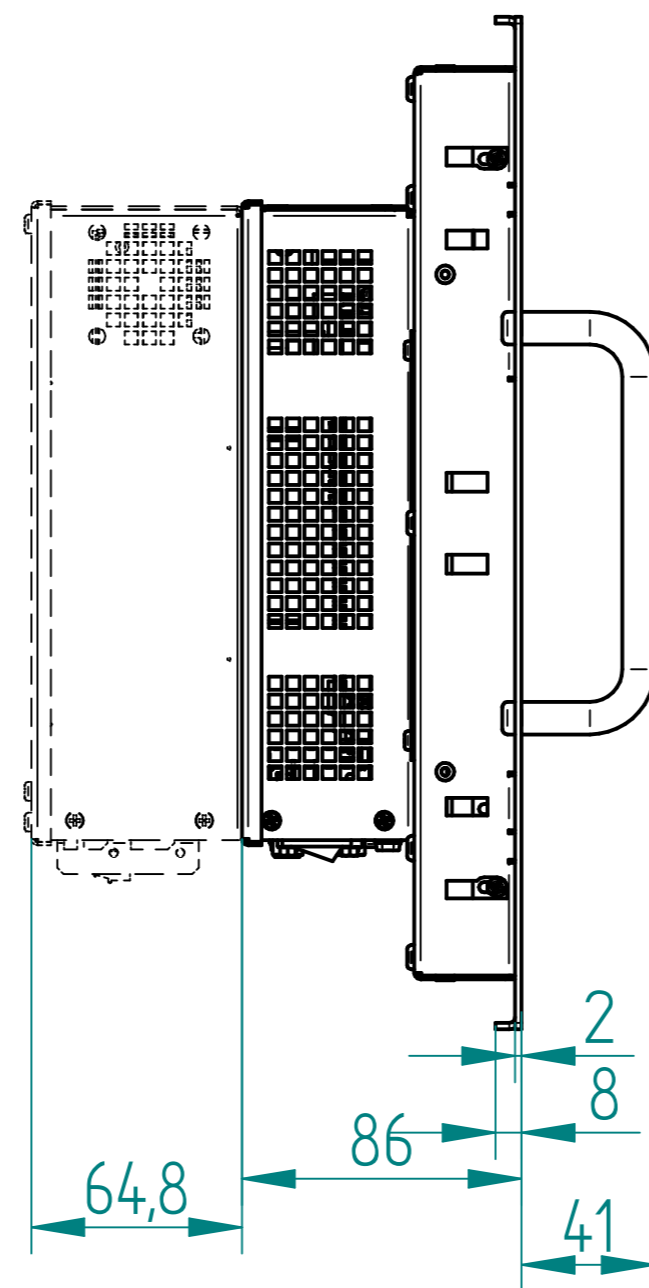
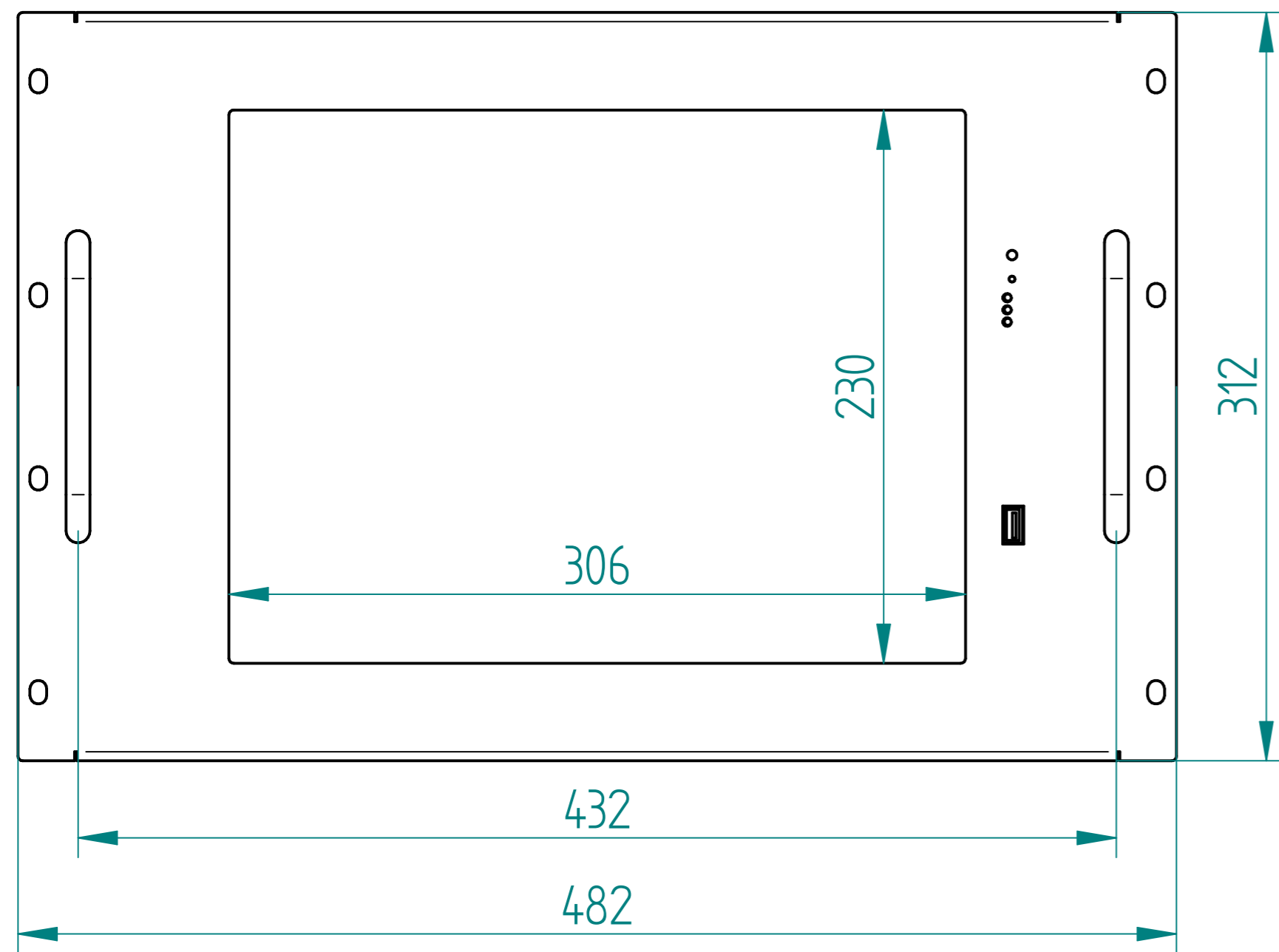
PCT / RTF FRONT PANEL VERSION

Specifications are subject to change without notice.

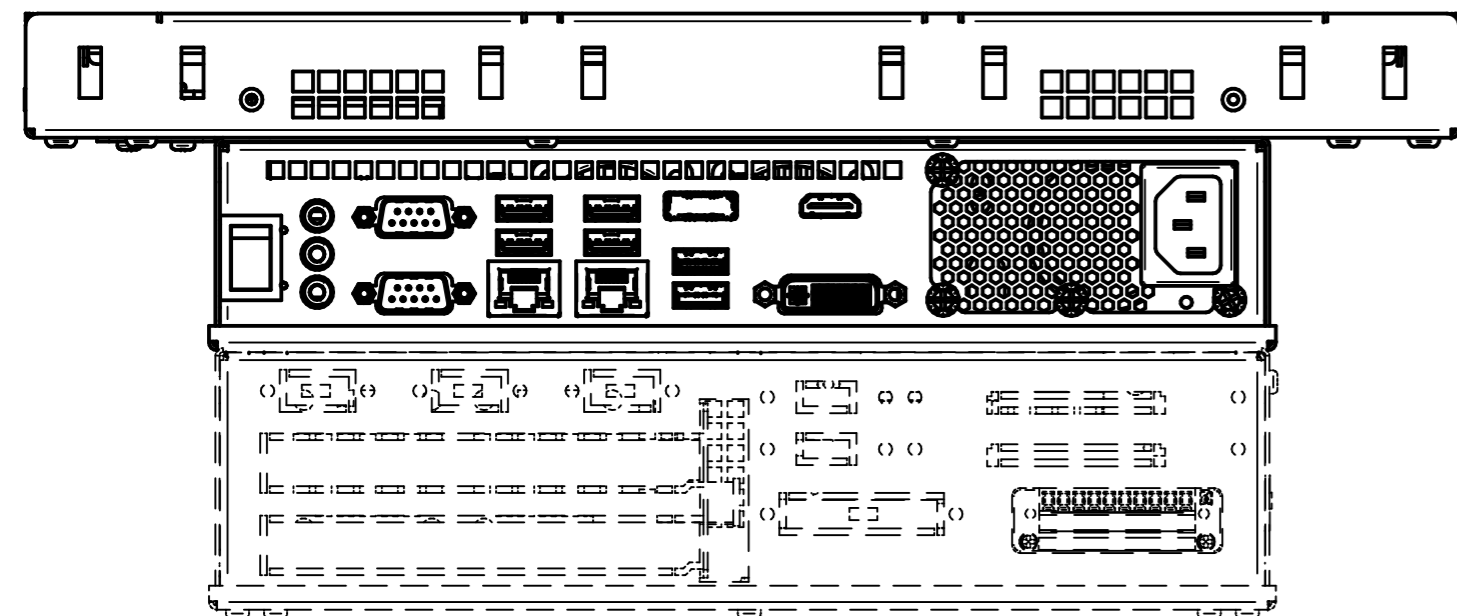
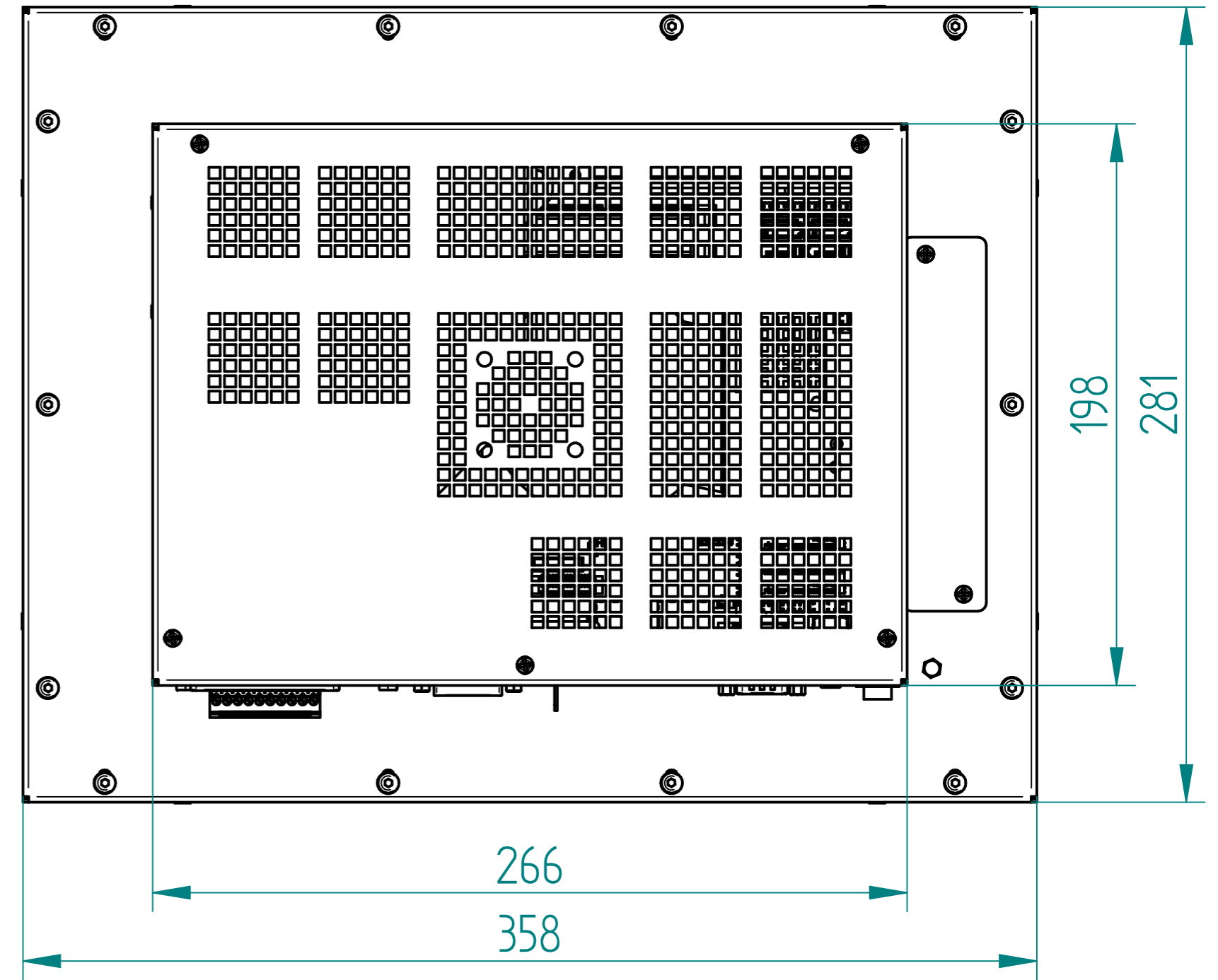
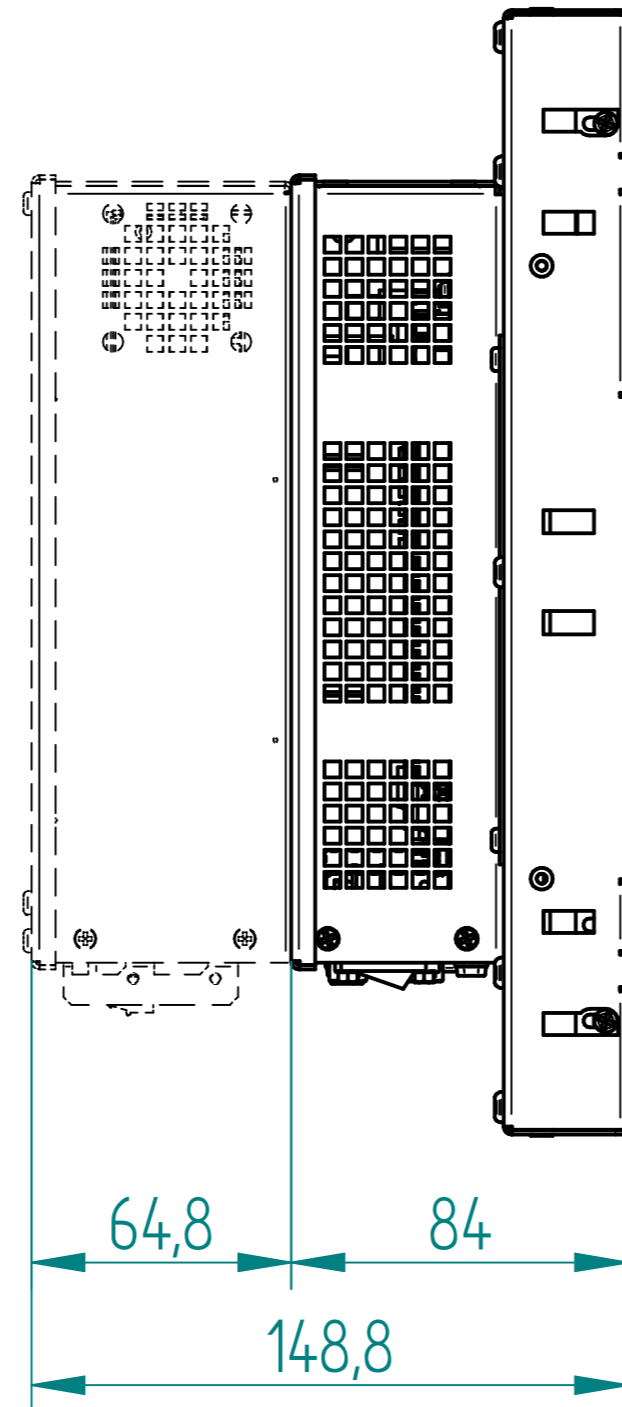
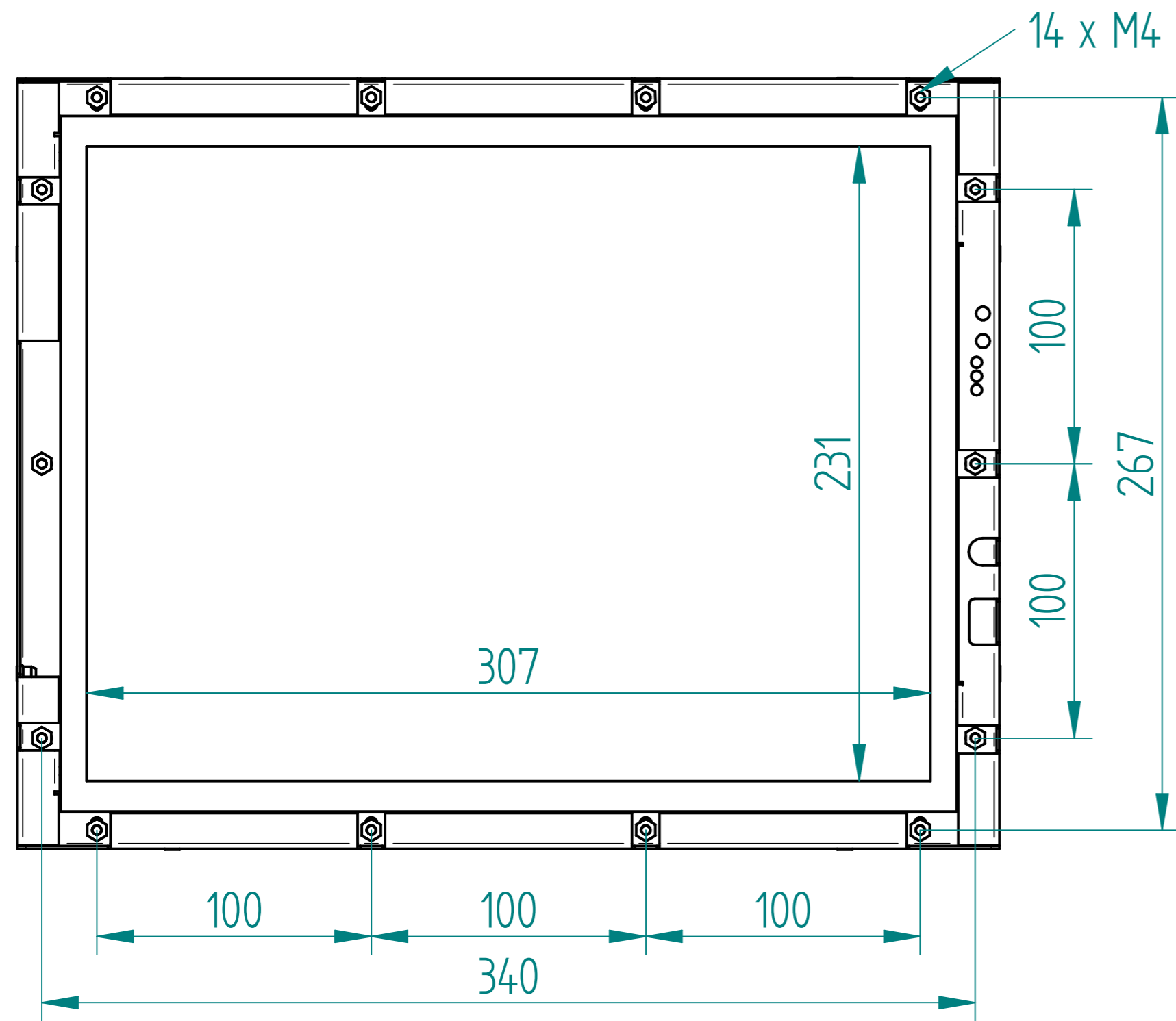


PCTX / RTFX FRONT PANEL VERSION

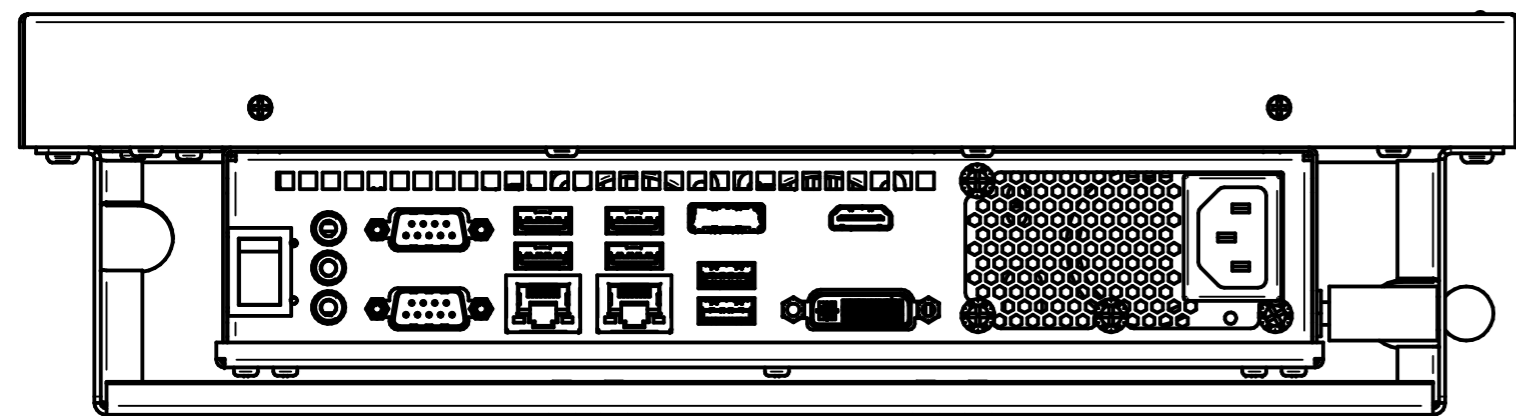
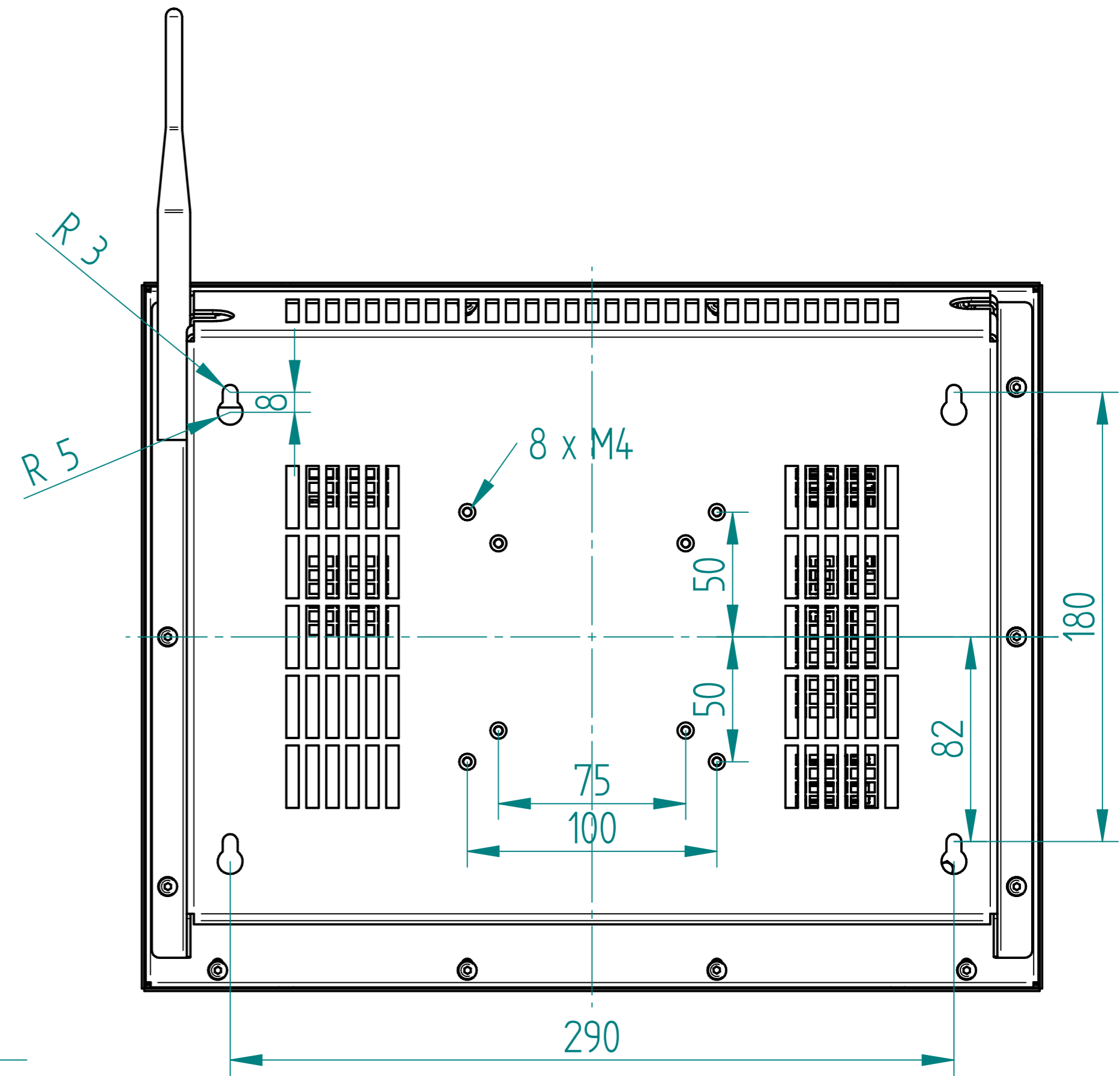
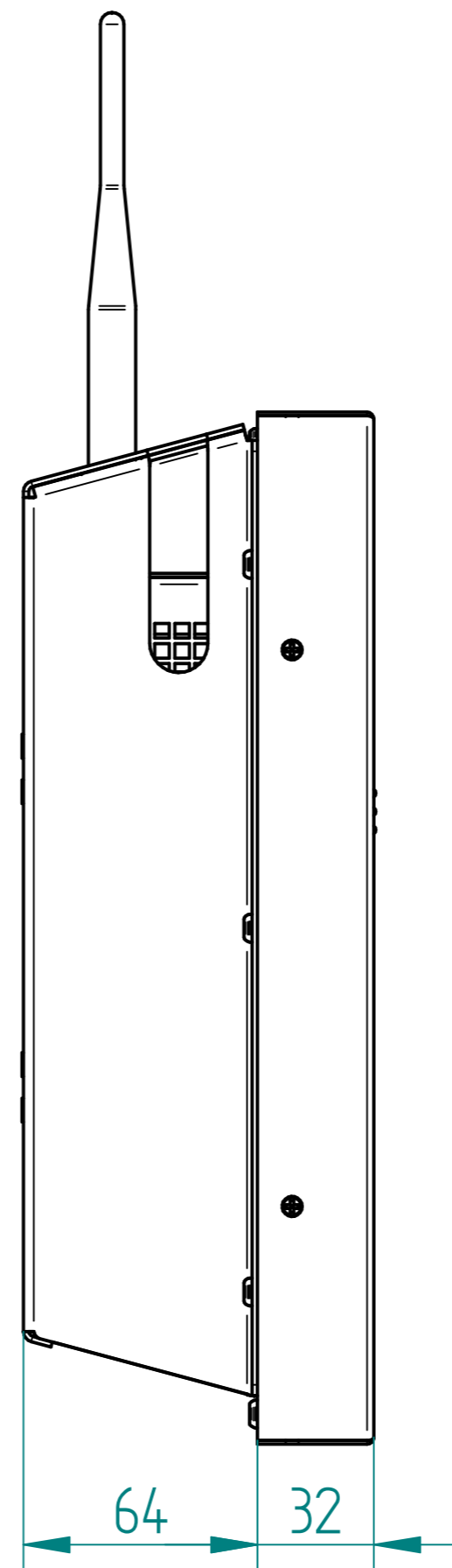
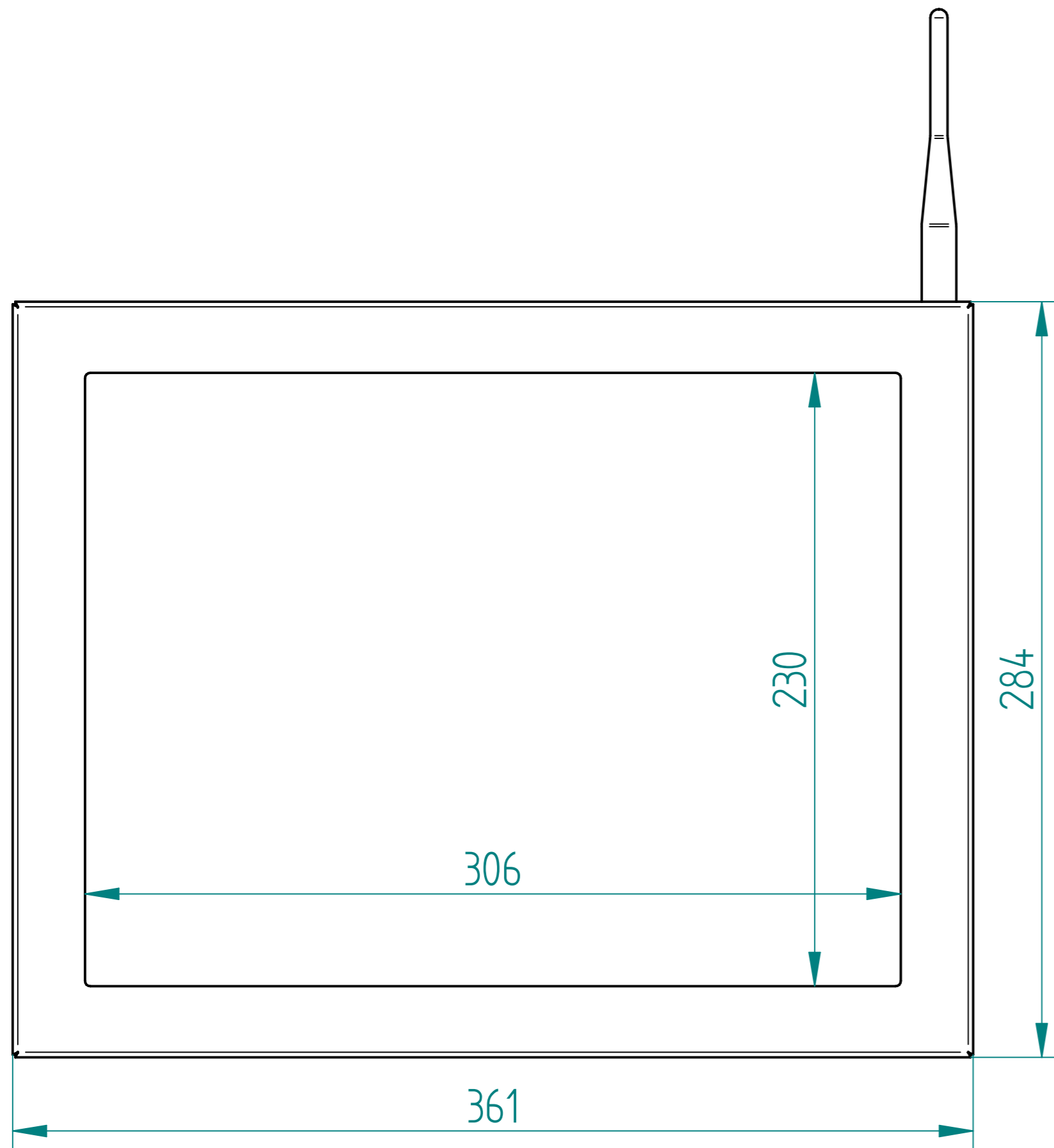
Specifications are subject to change without notice.



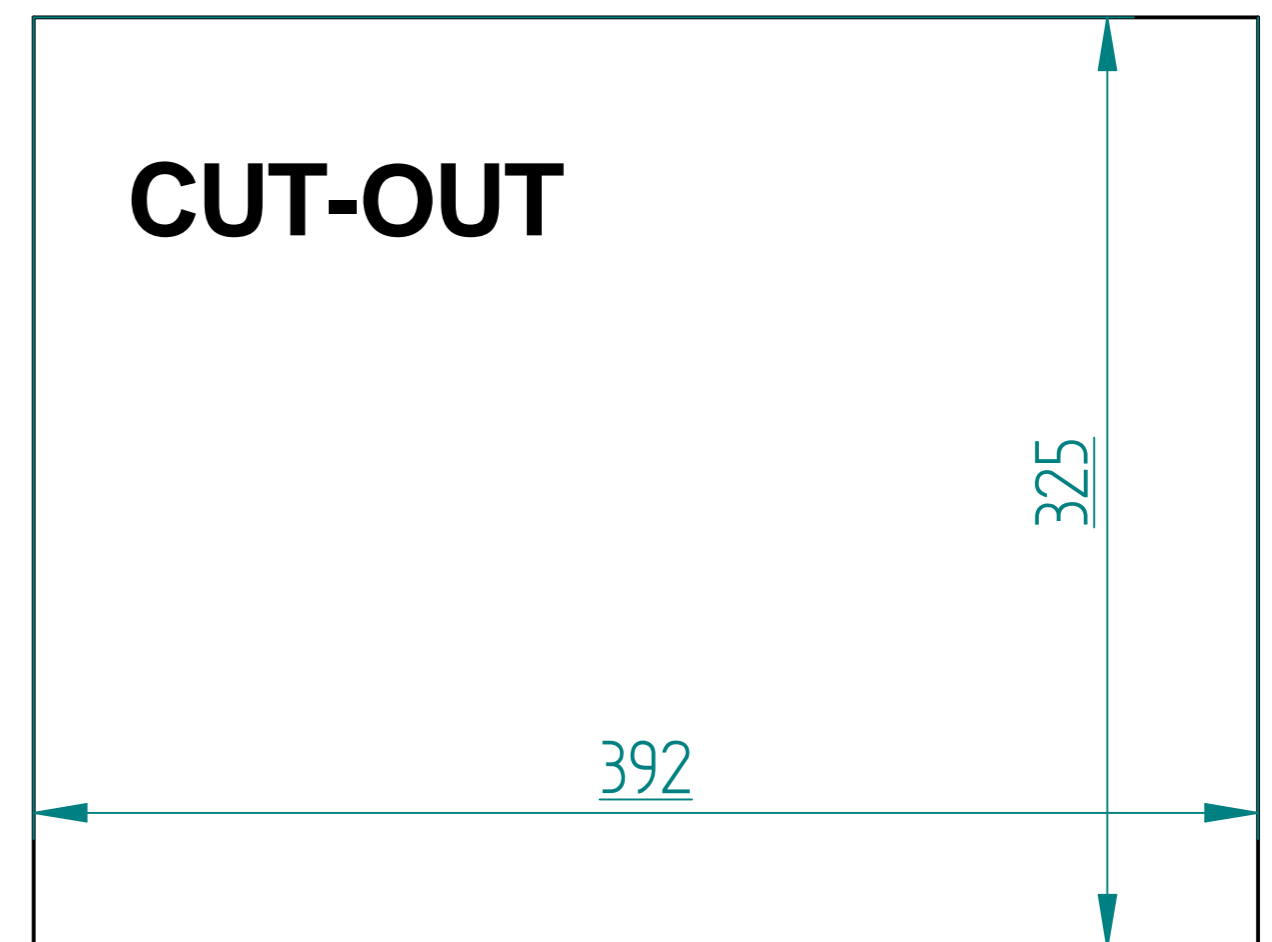
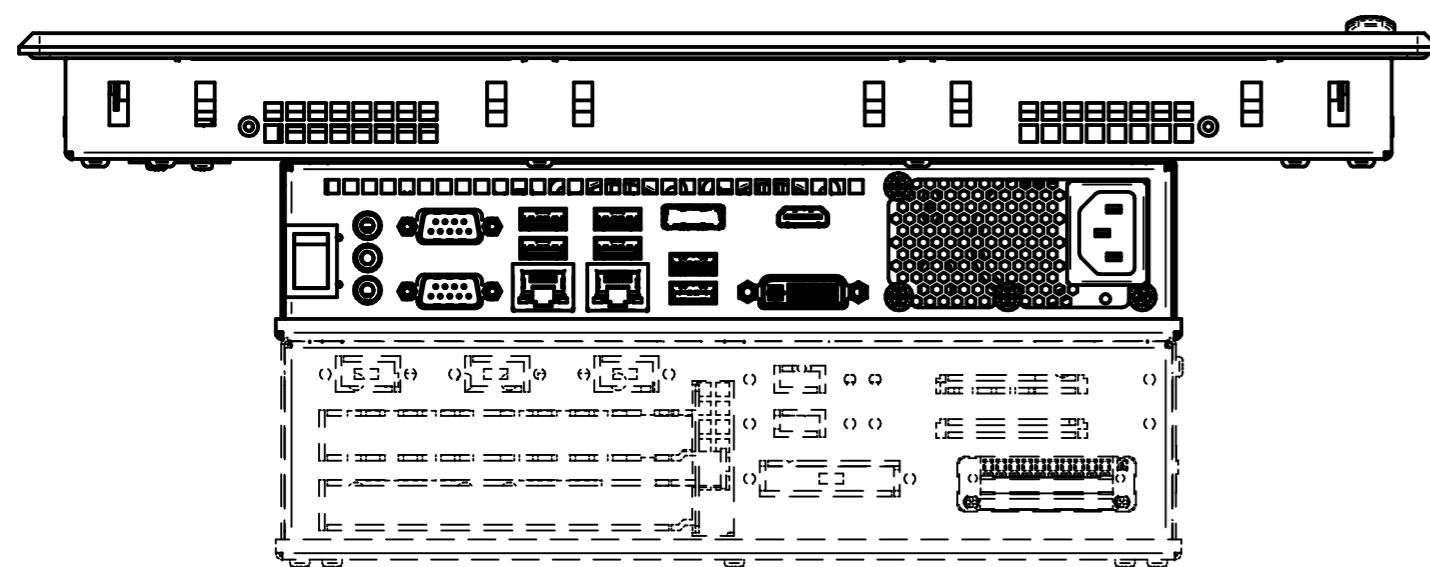
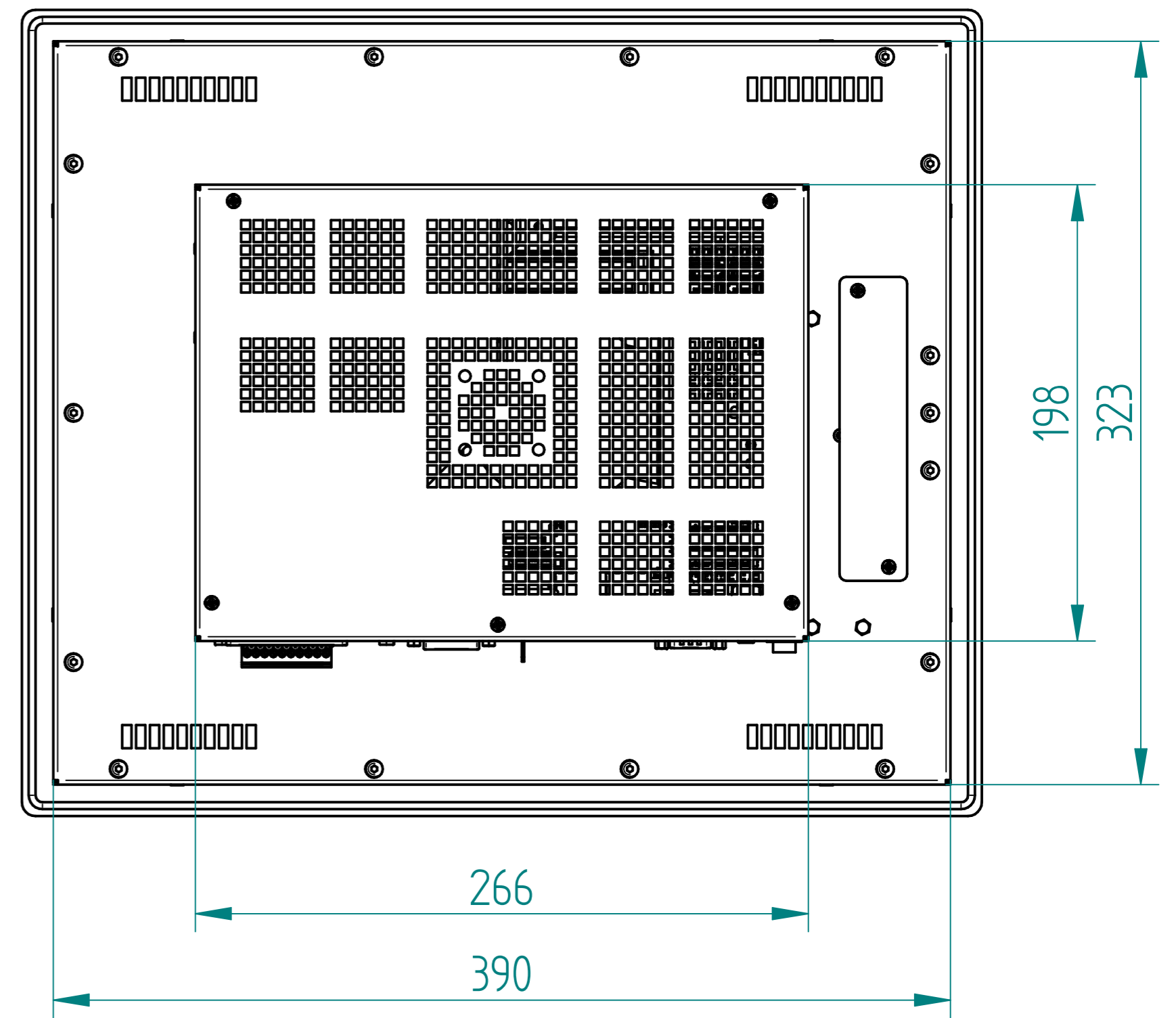
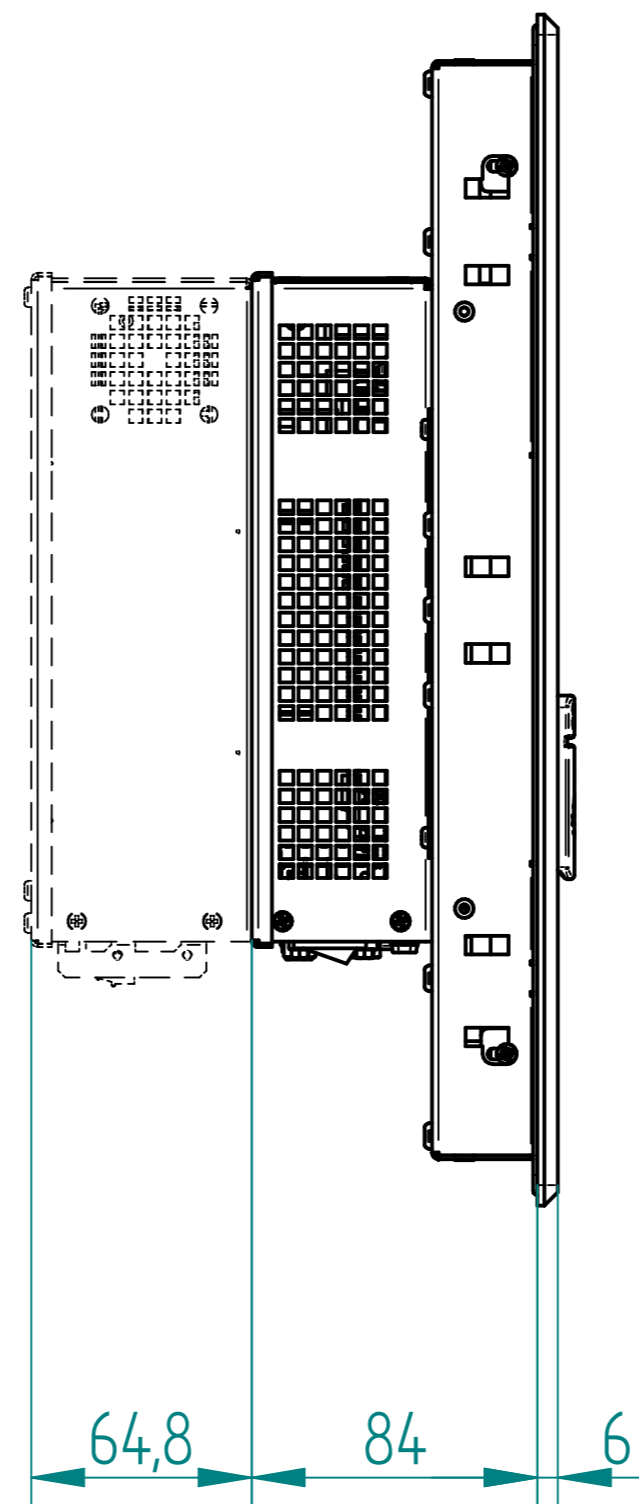
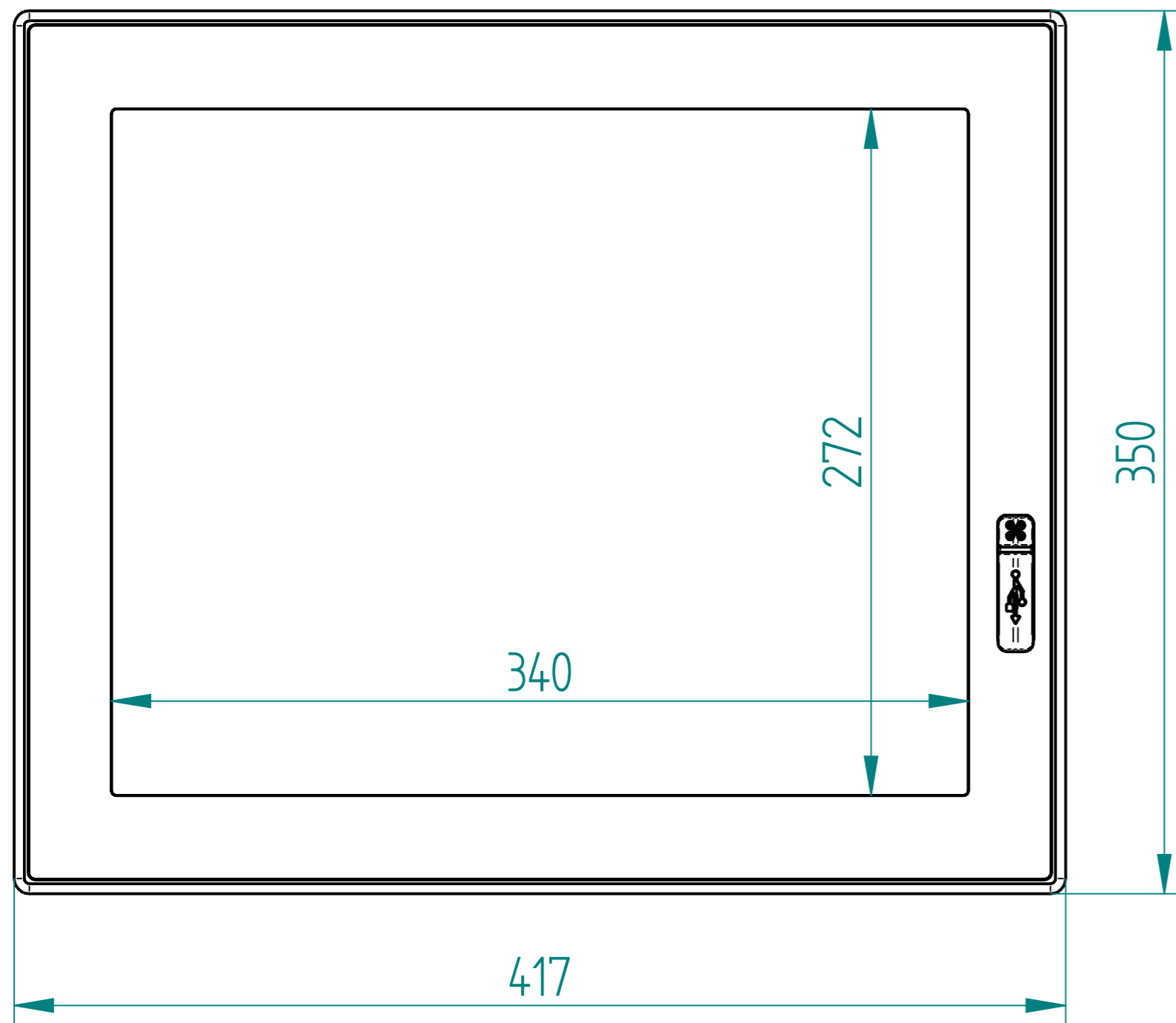
19" RACK-MOUNT FRONT PANEL VERSION



OPEN-FRAME FRONT PANEL VERSION

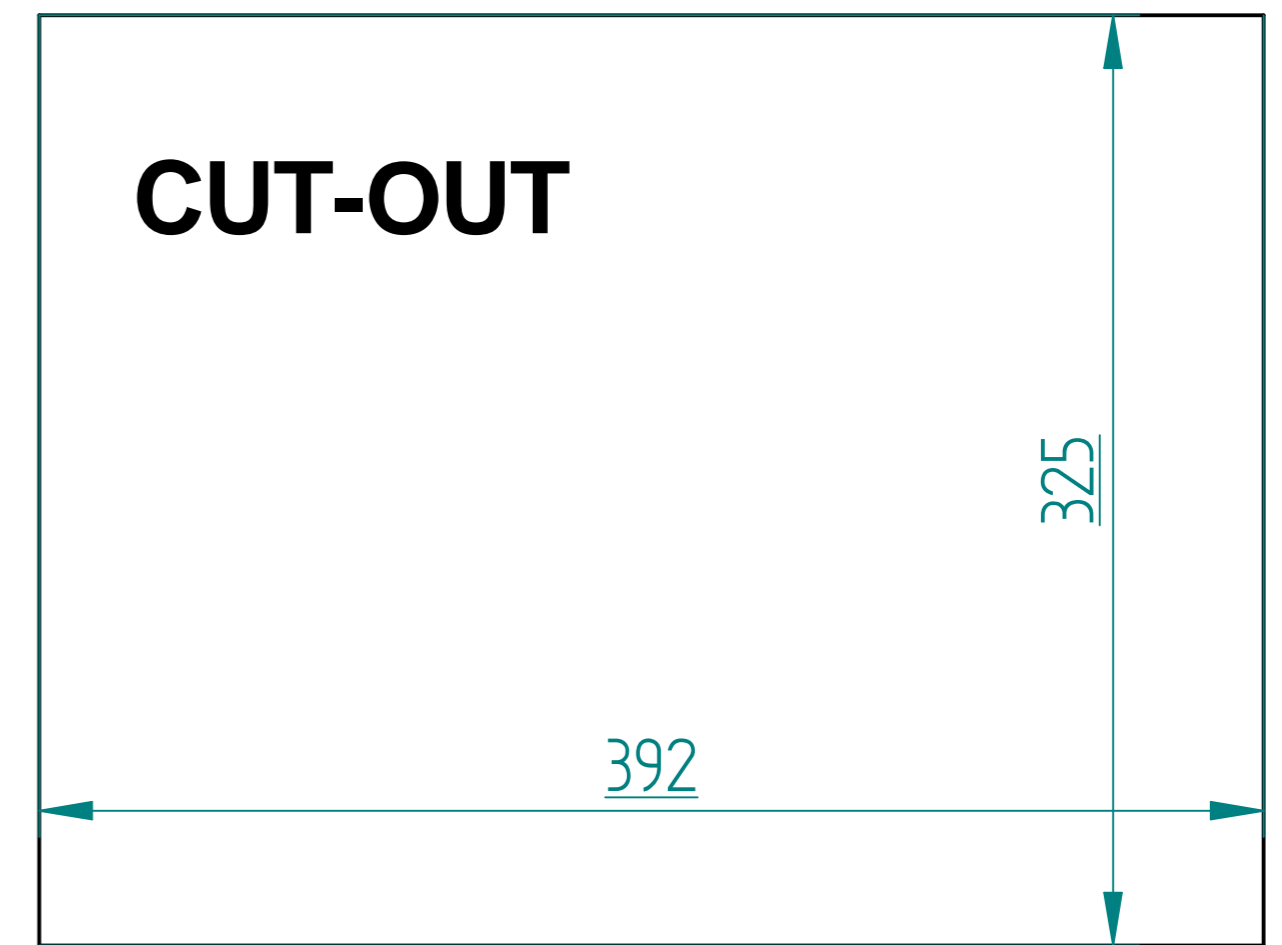
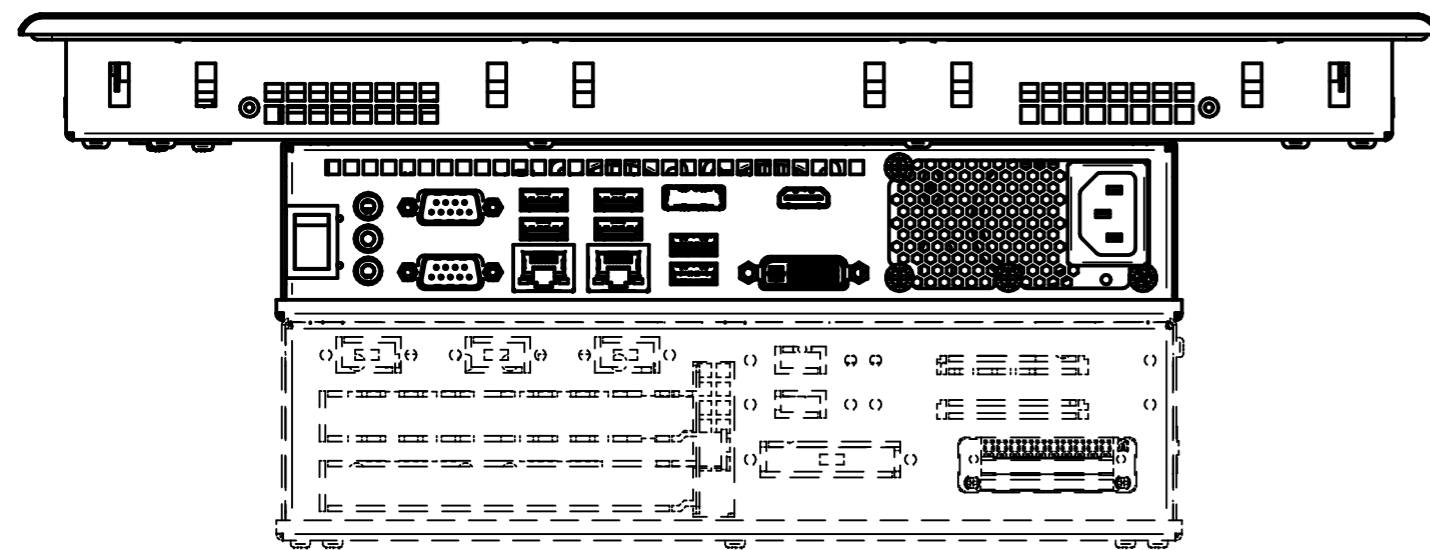
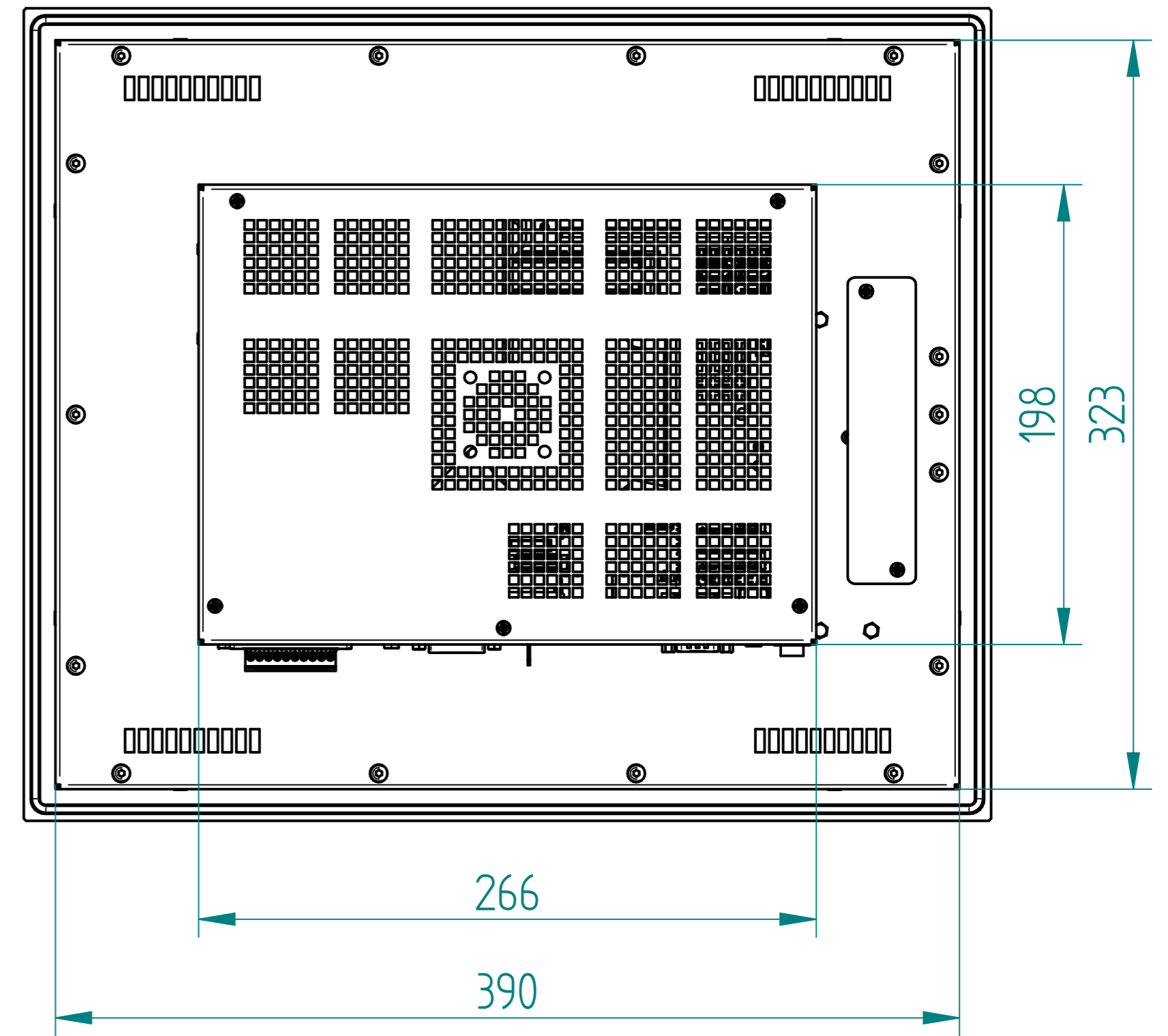
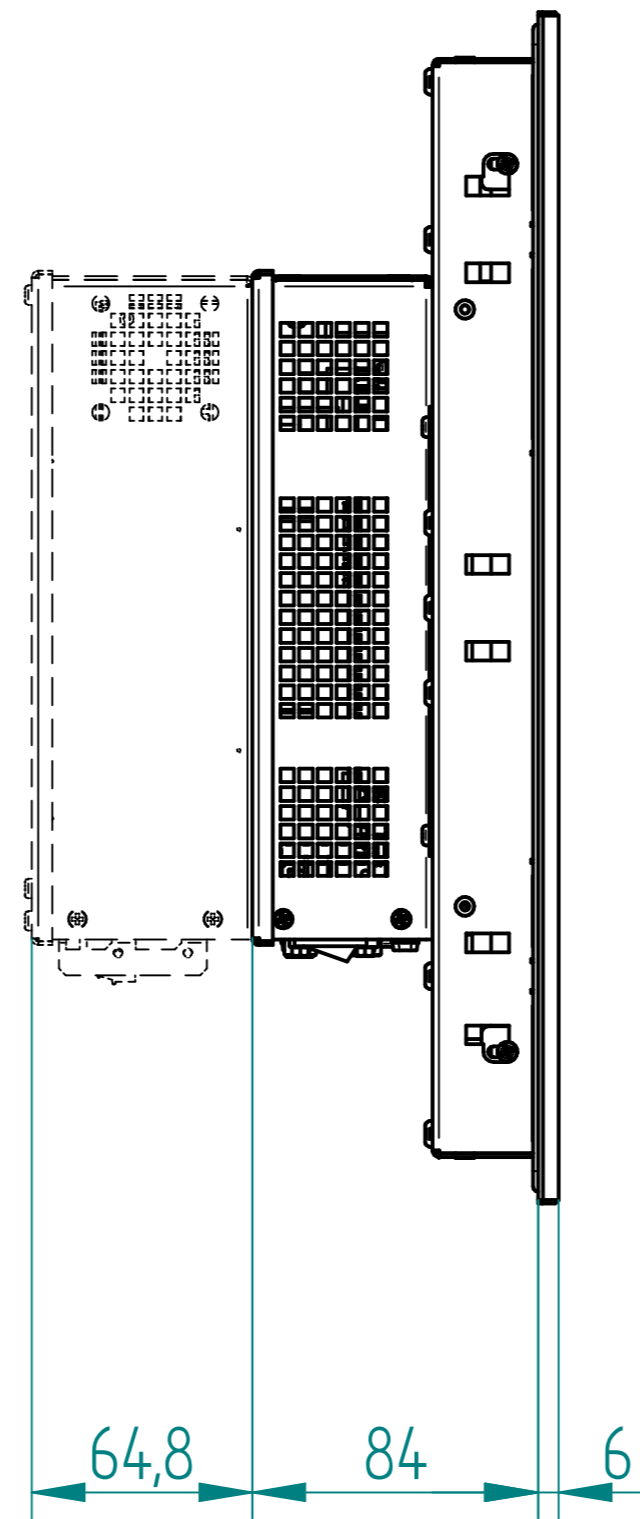
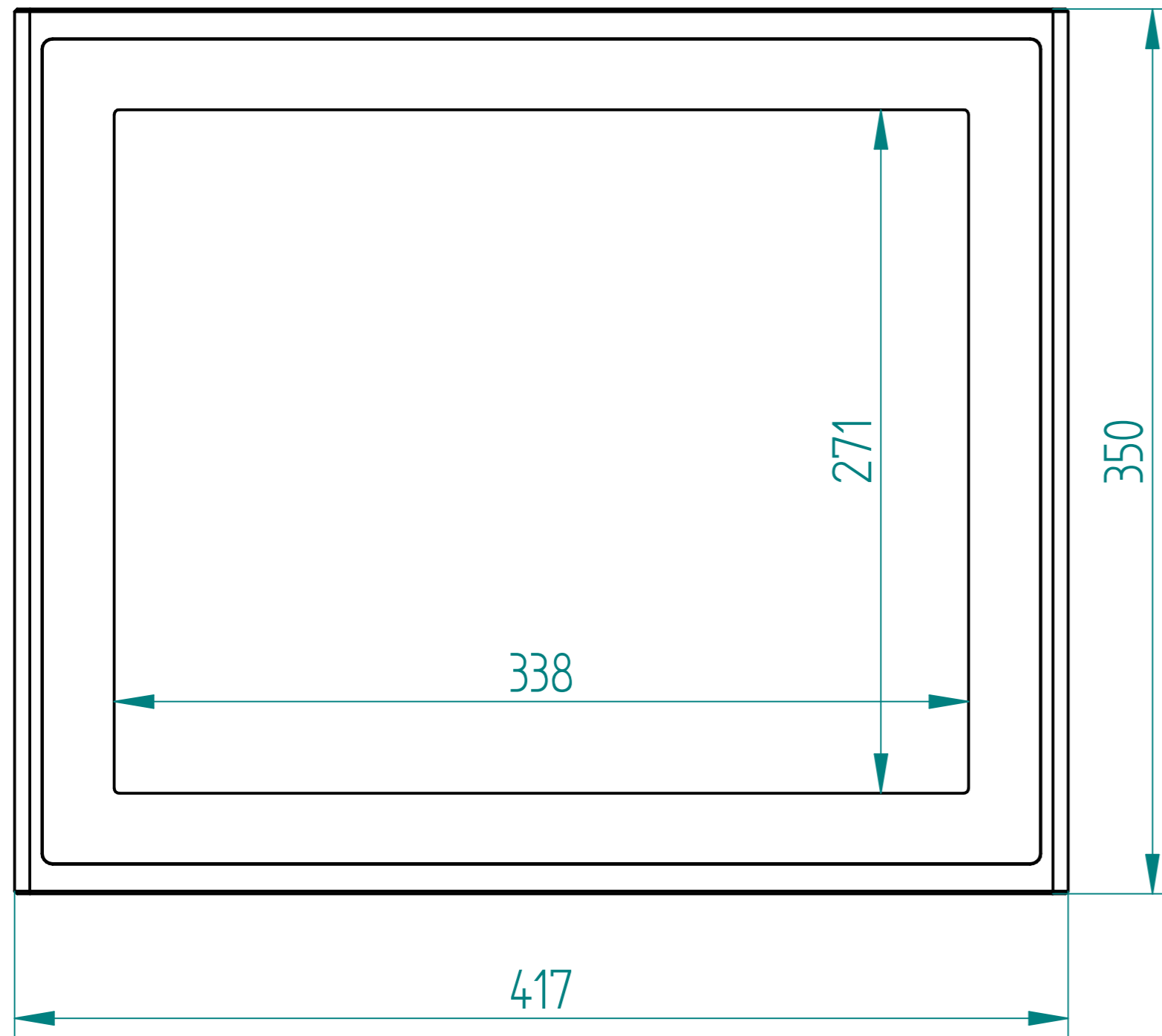


METAL CASE VERSION

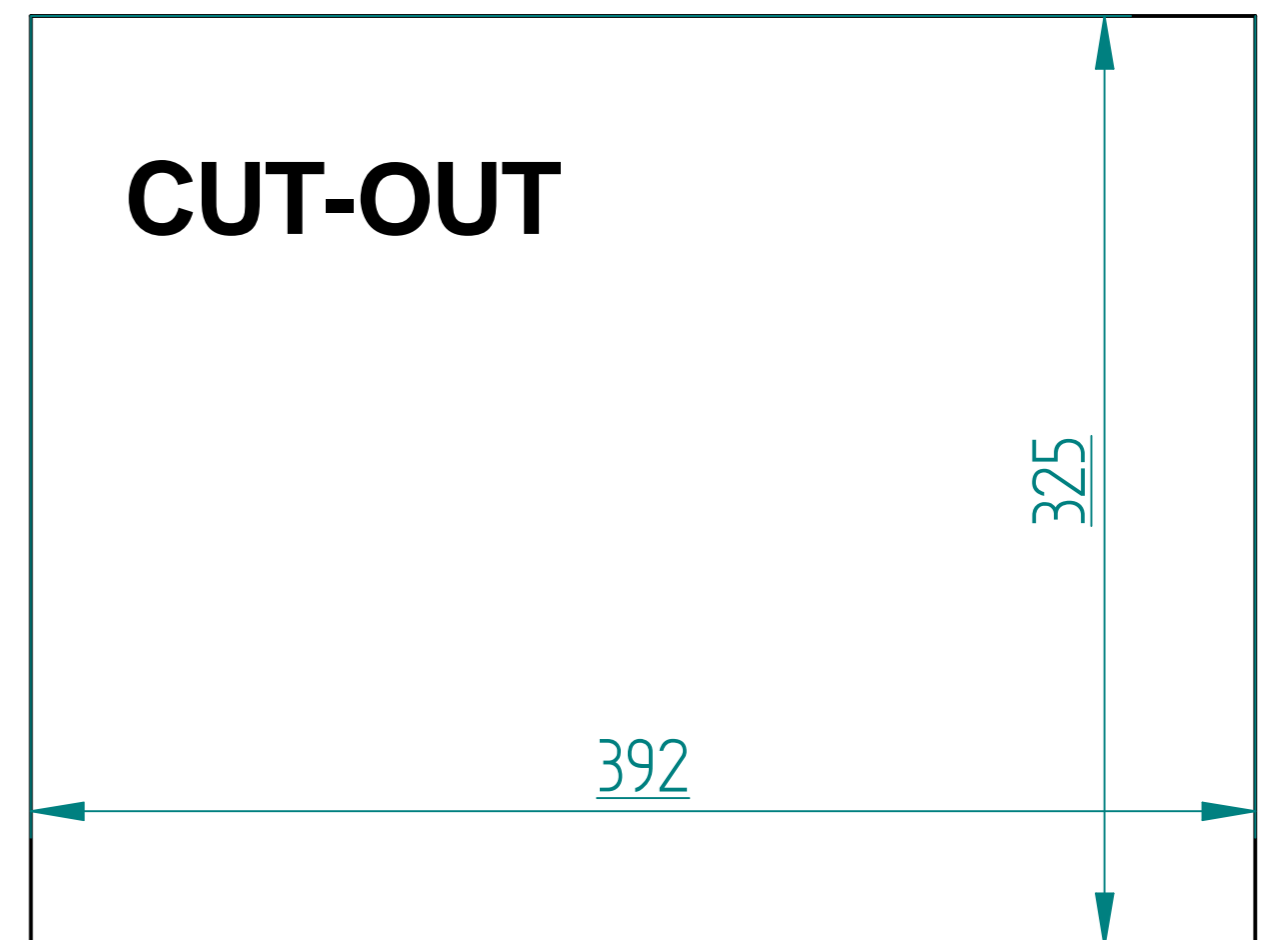
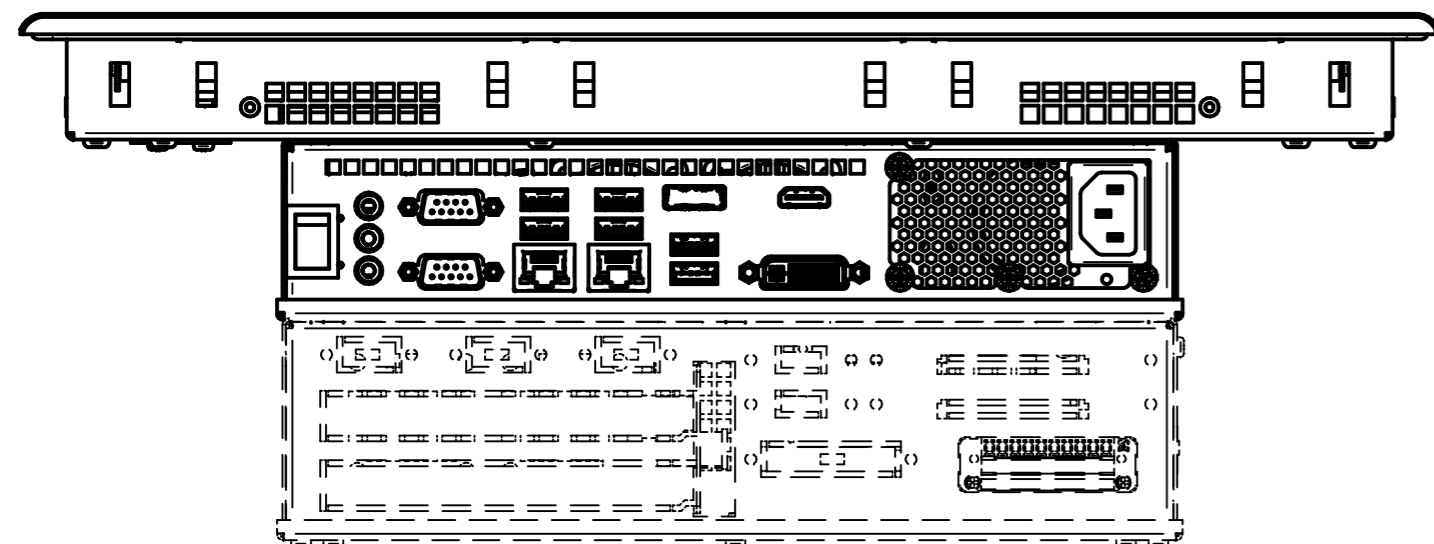
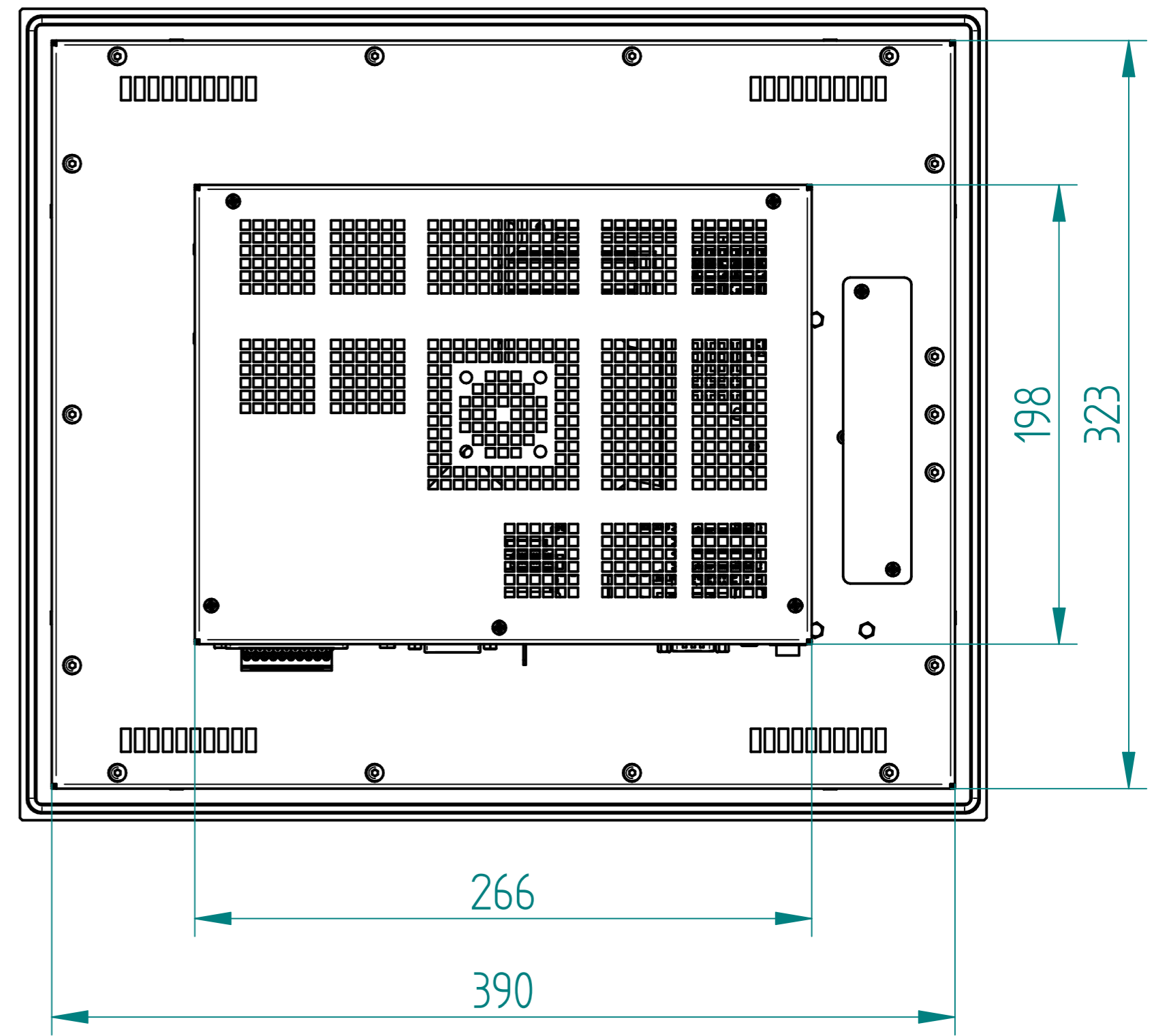
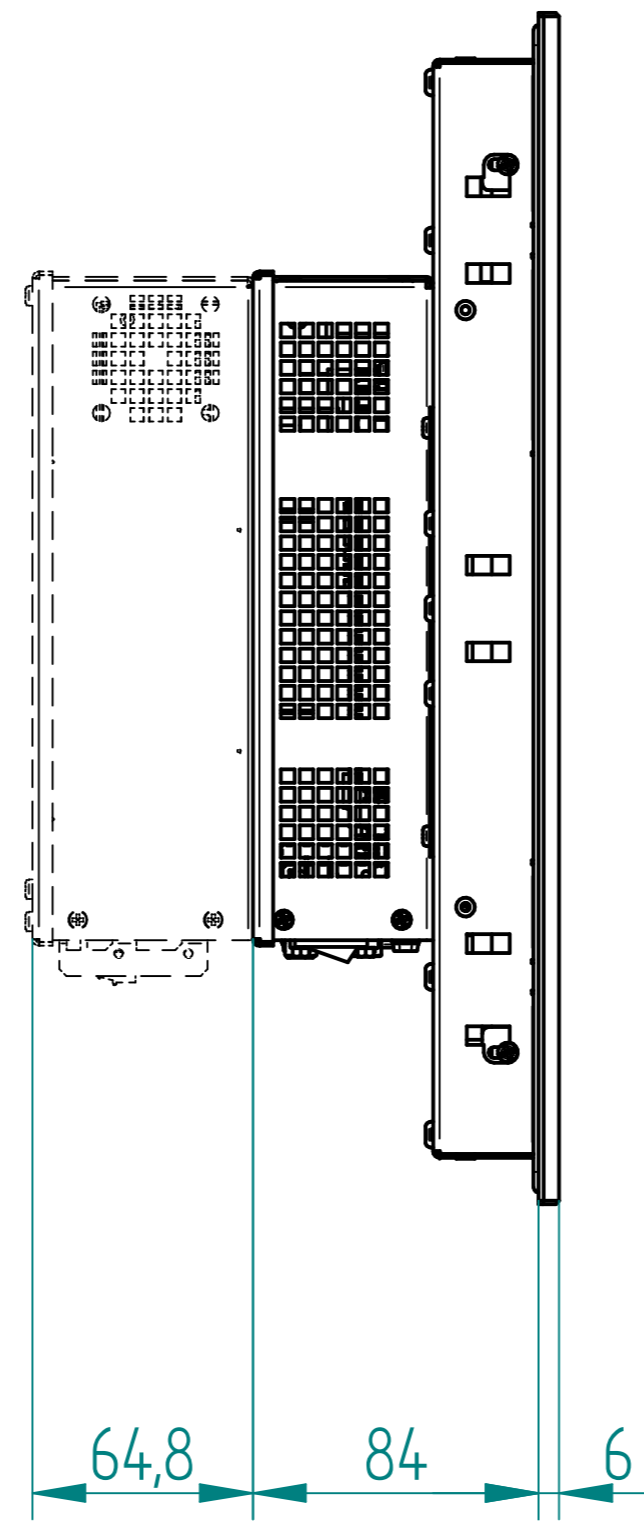
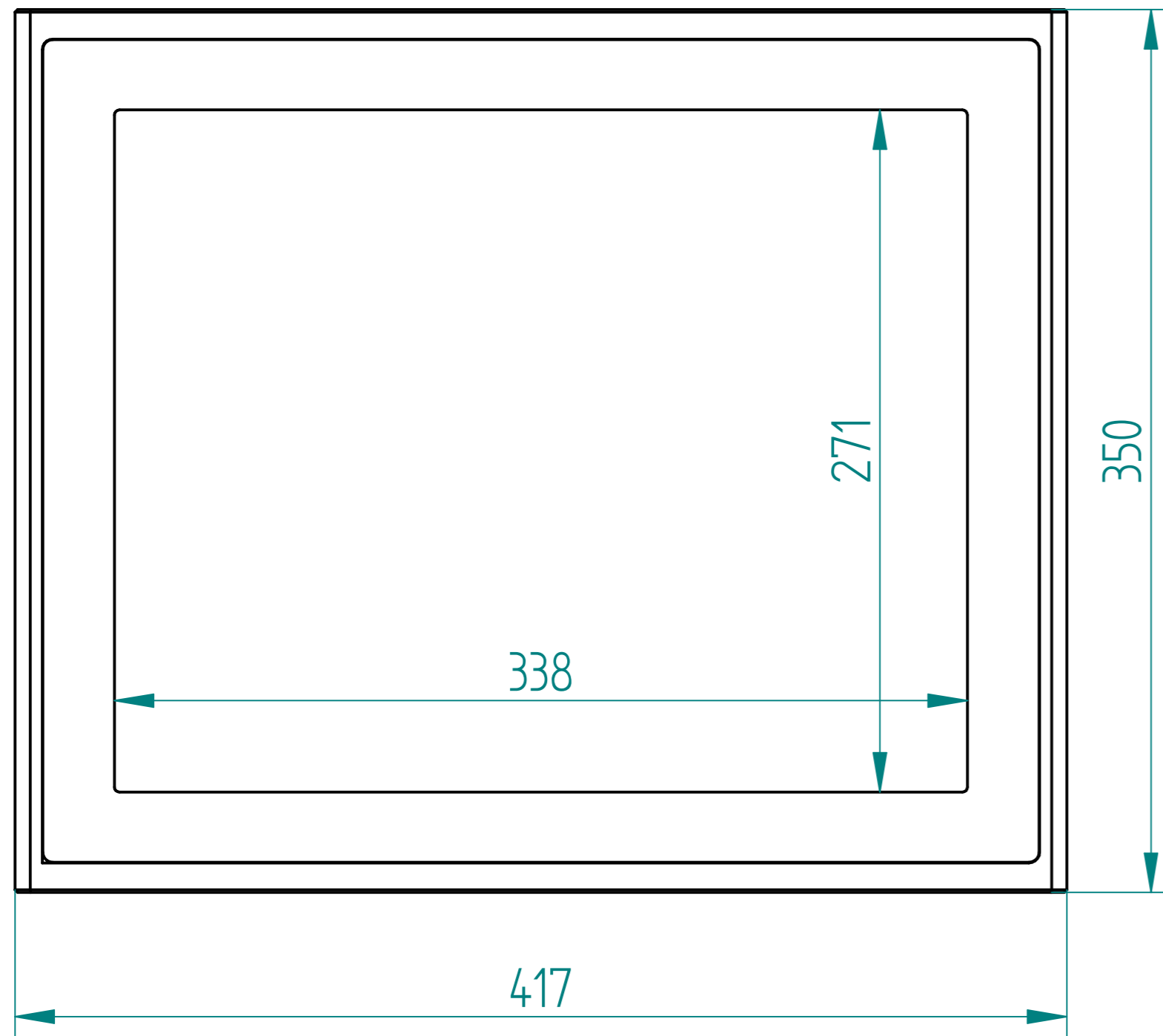


STANDARD FRONT PANEL VERSION

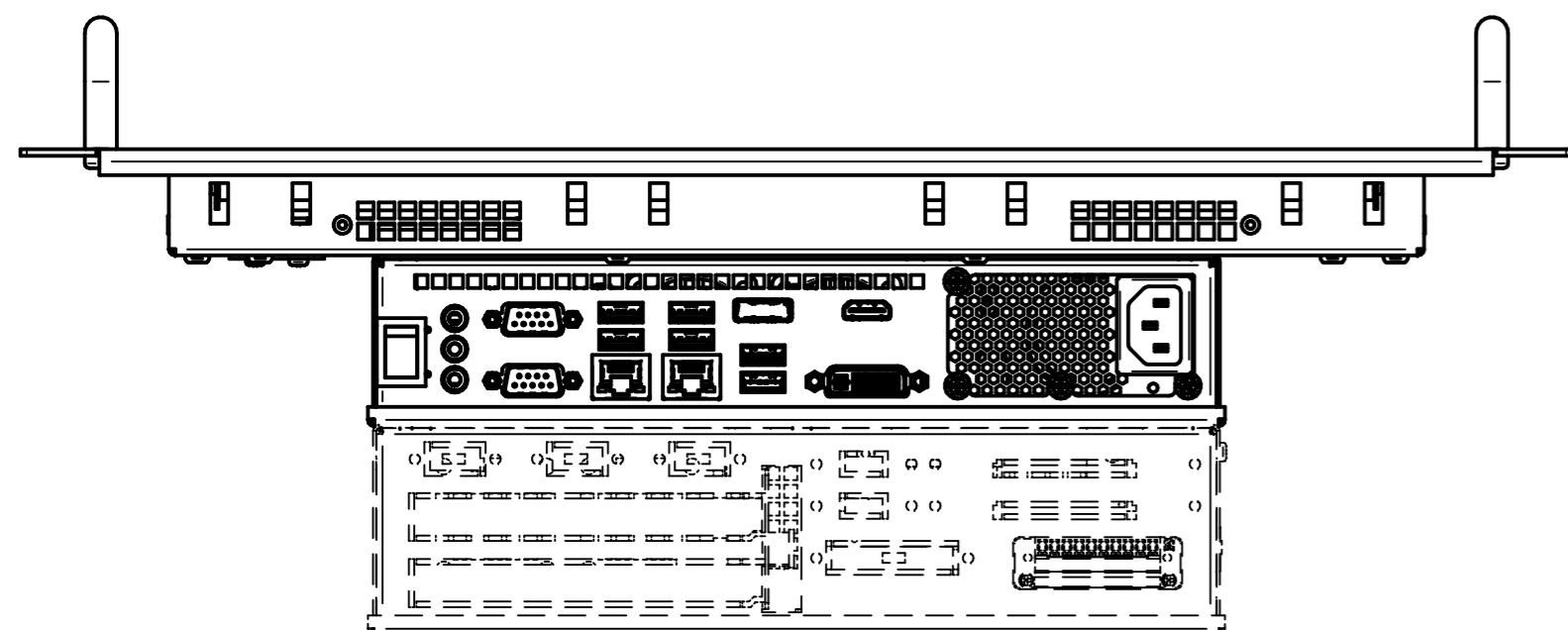
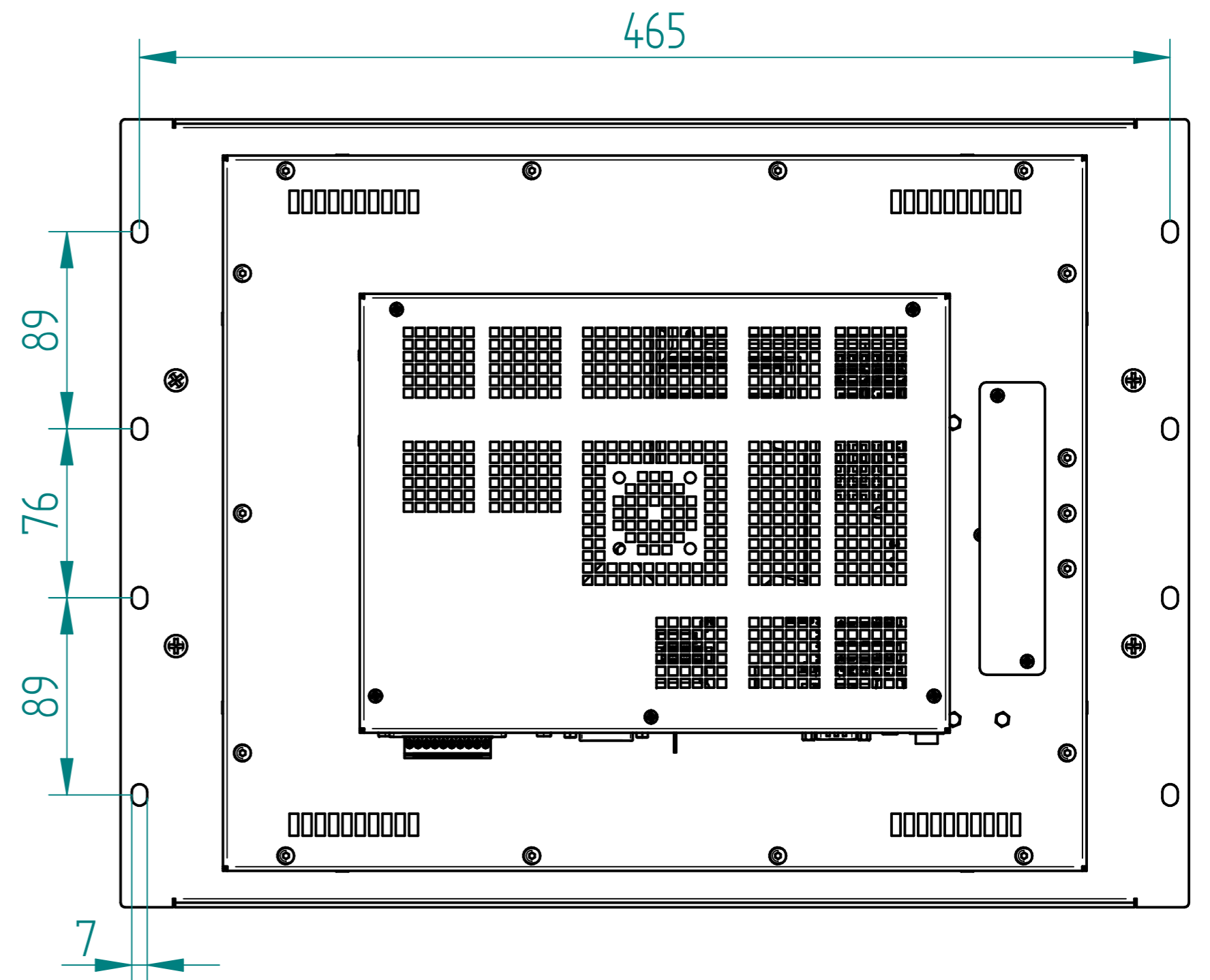
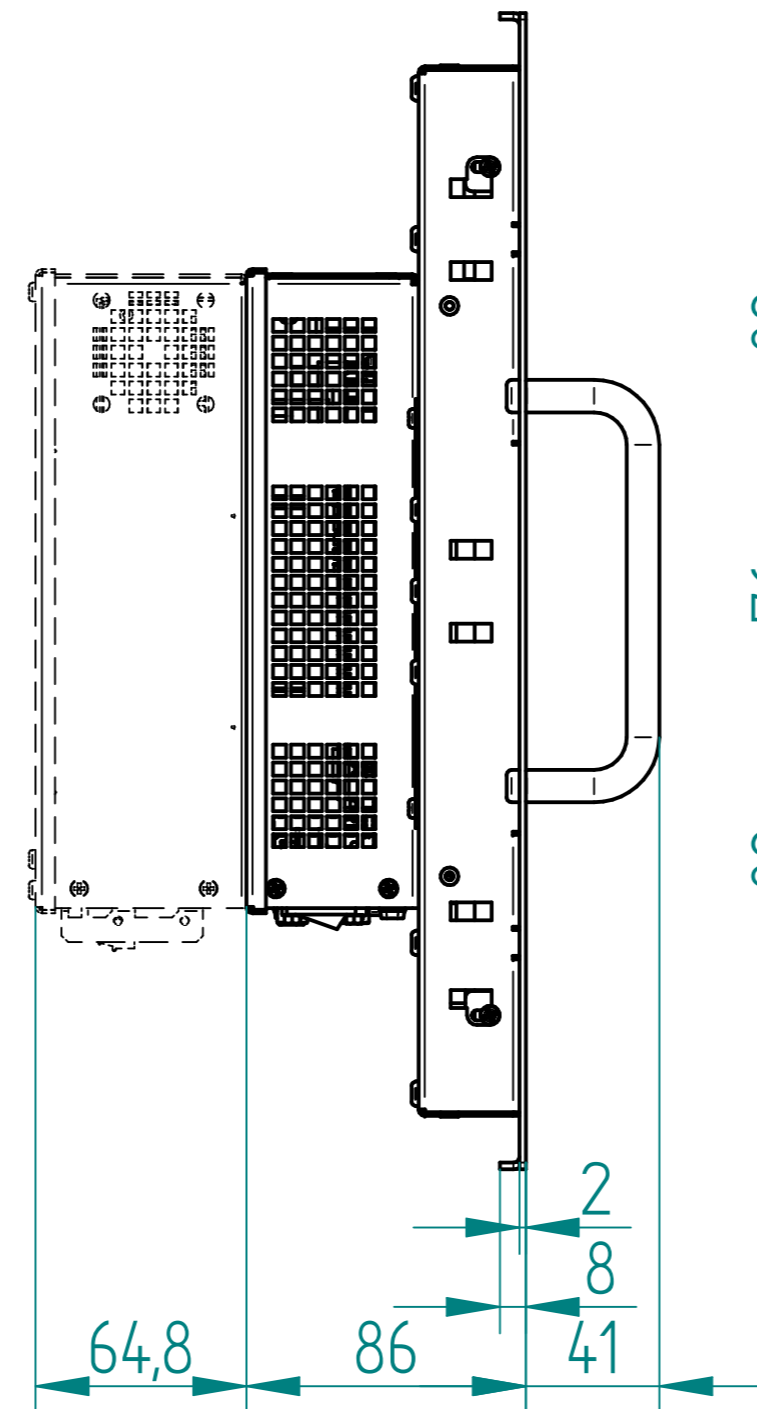
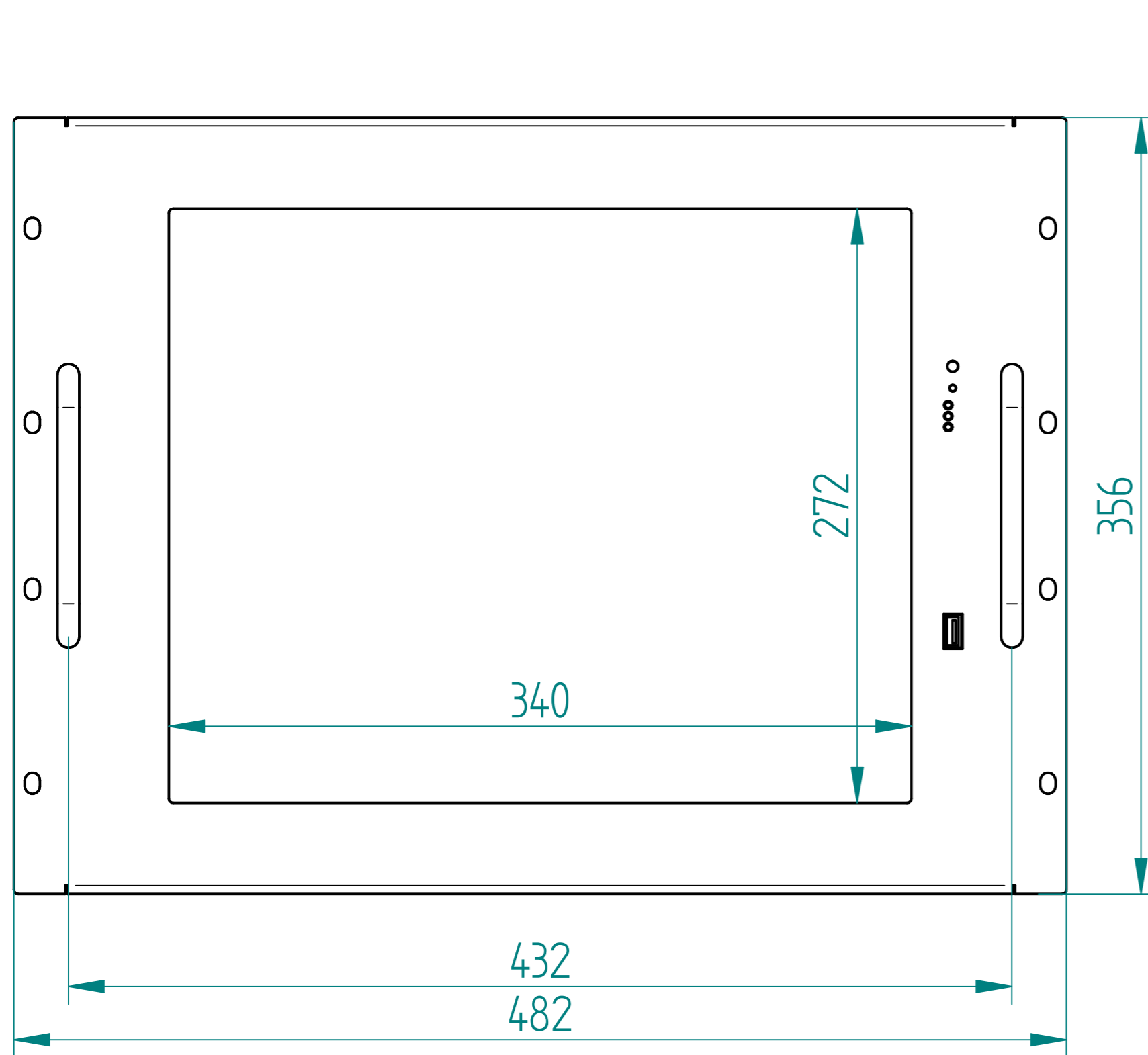
Specifications are subject to change without notice.



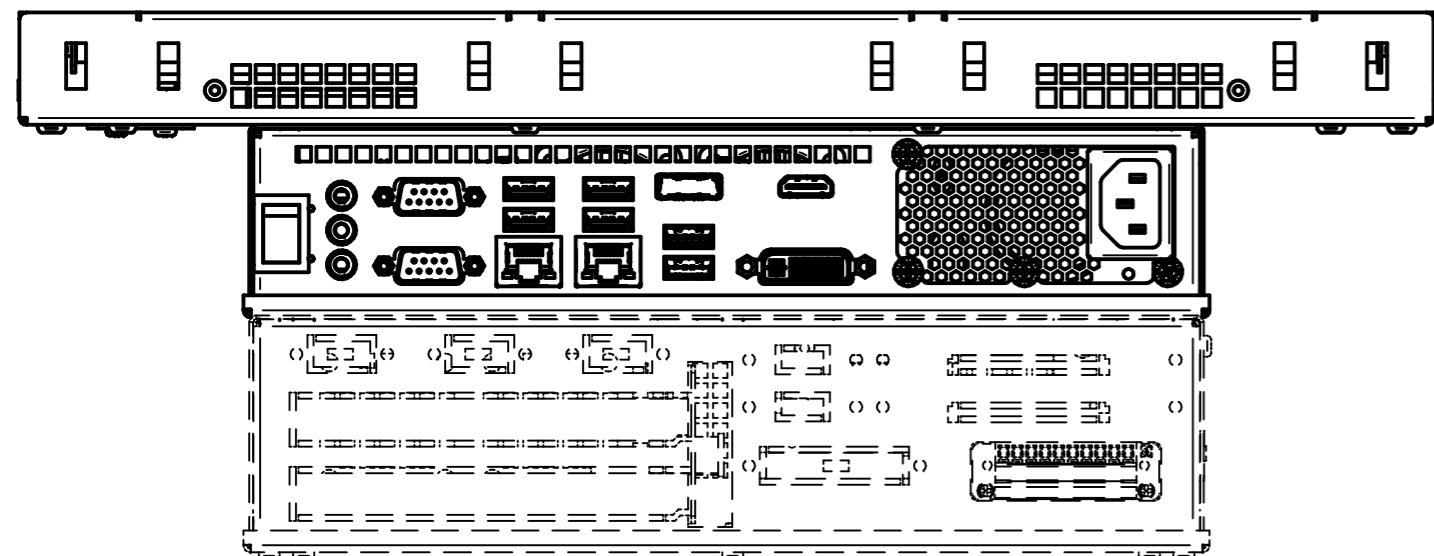
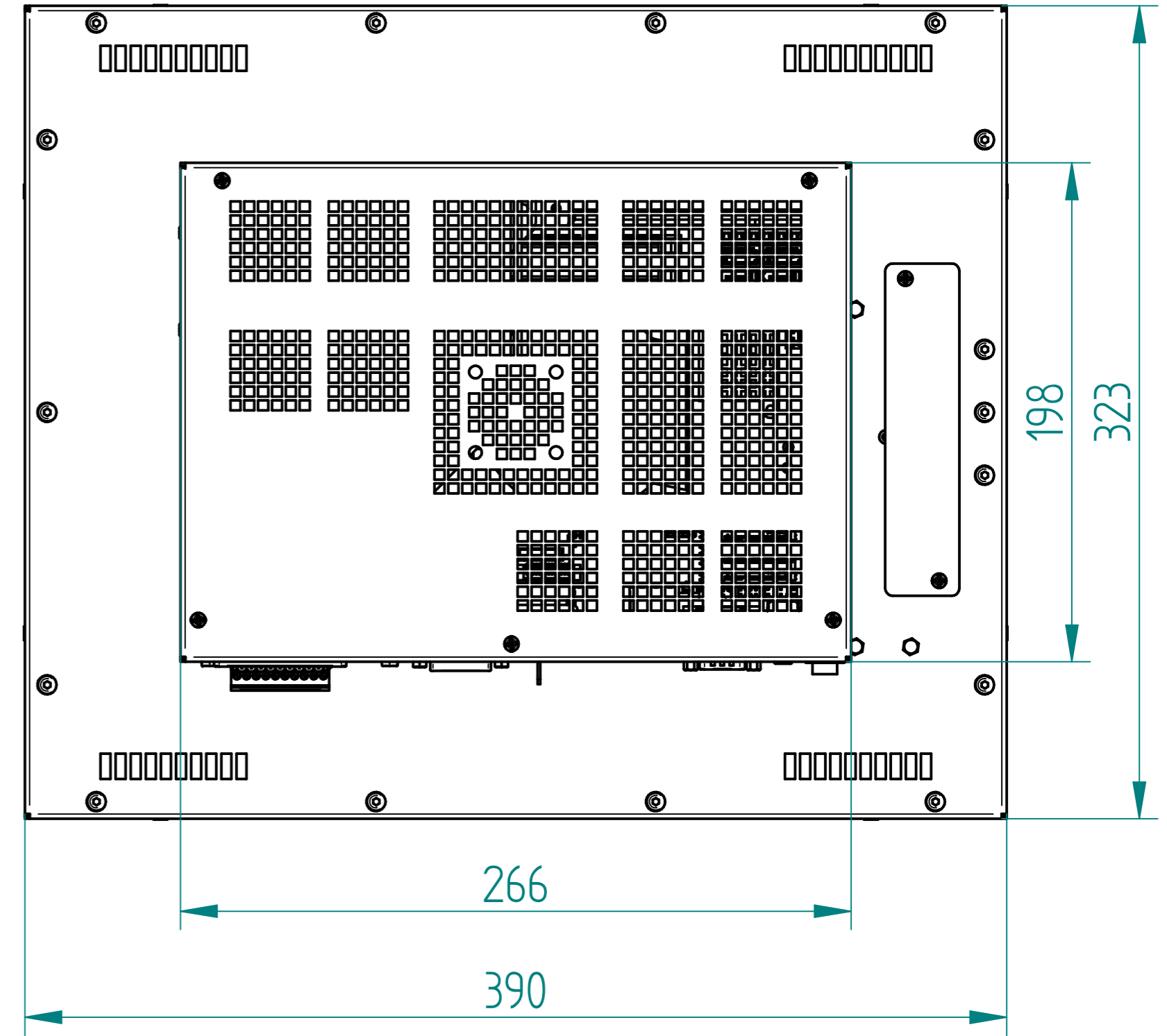
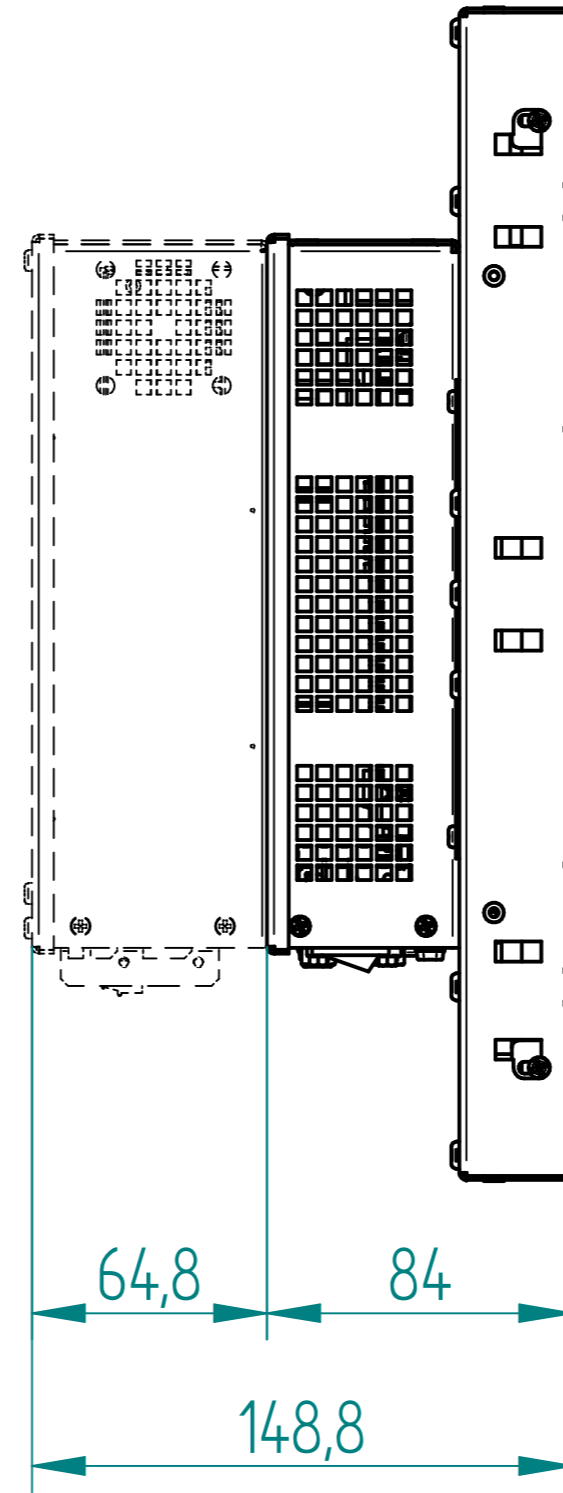
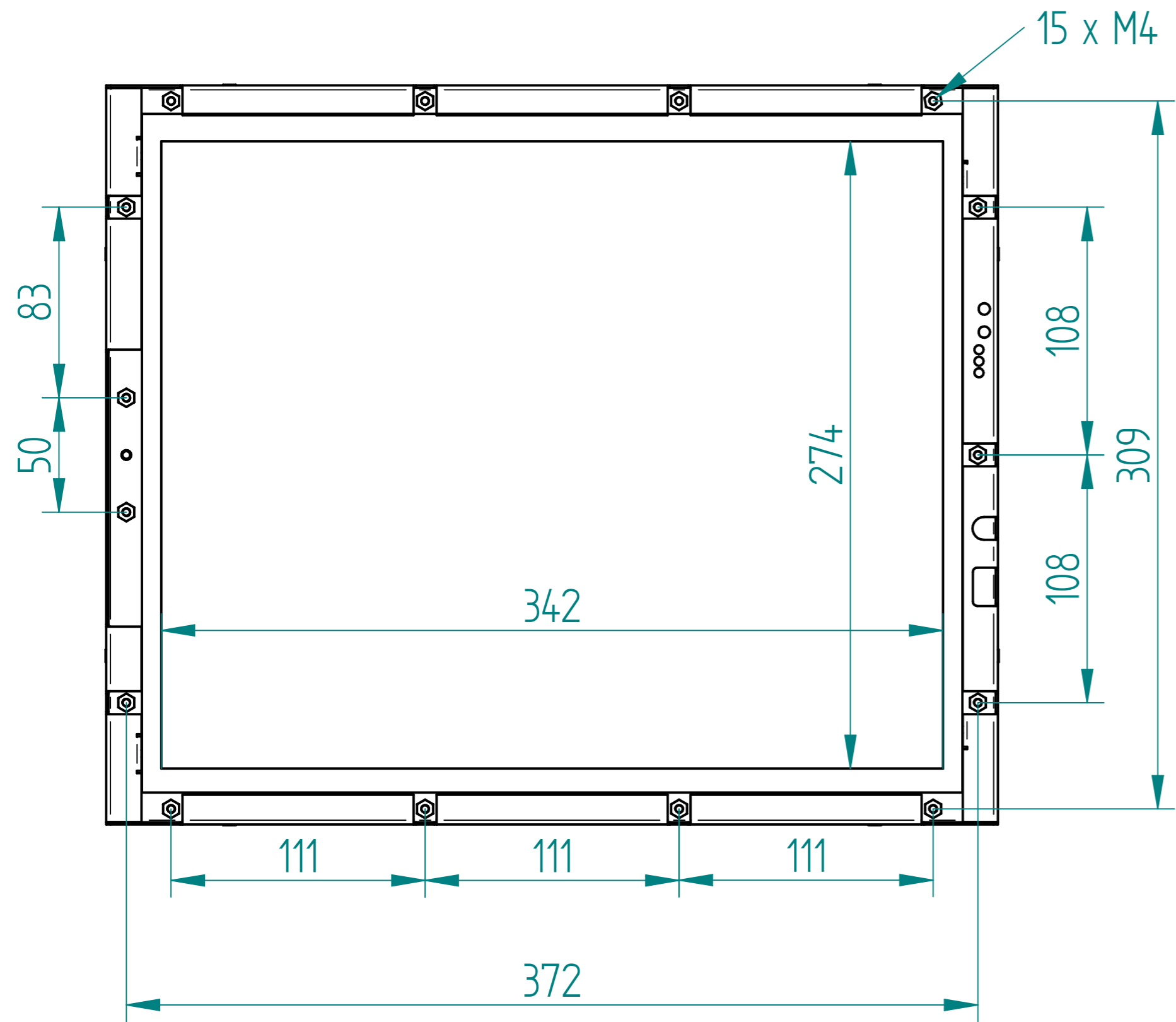
PCT-RTF FRONT PANEL VERSION



PCTX-RTFX FRONT PANEL VERSION

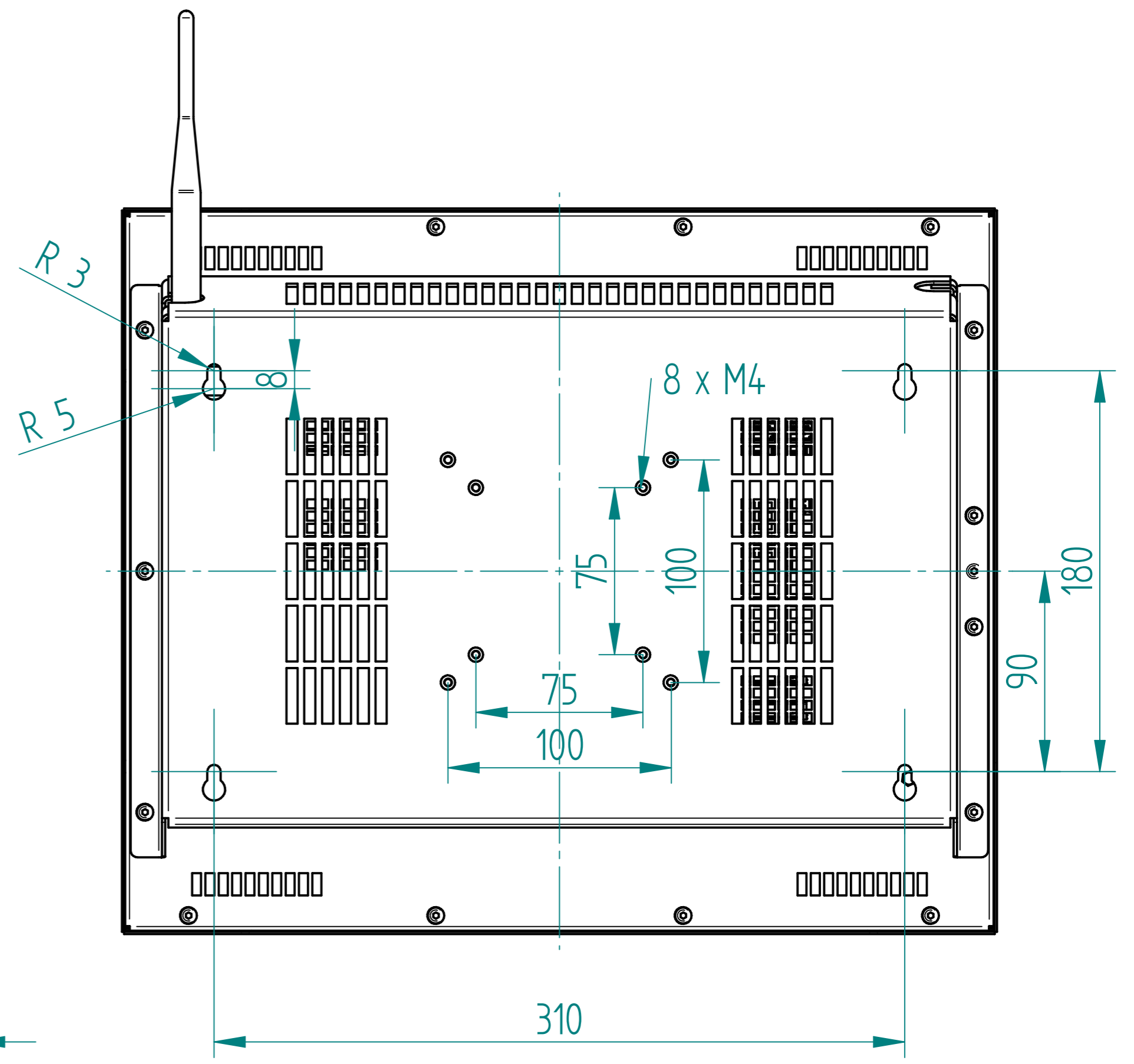
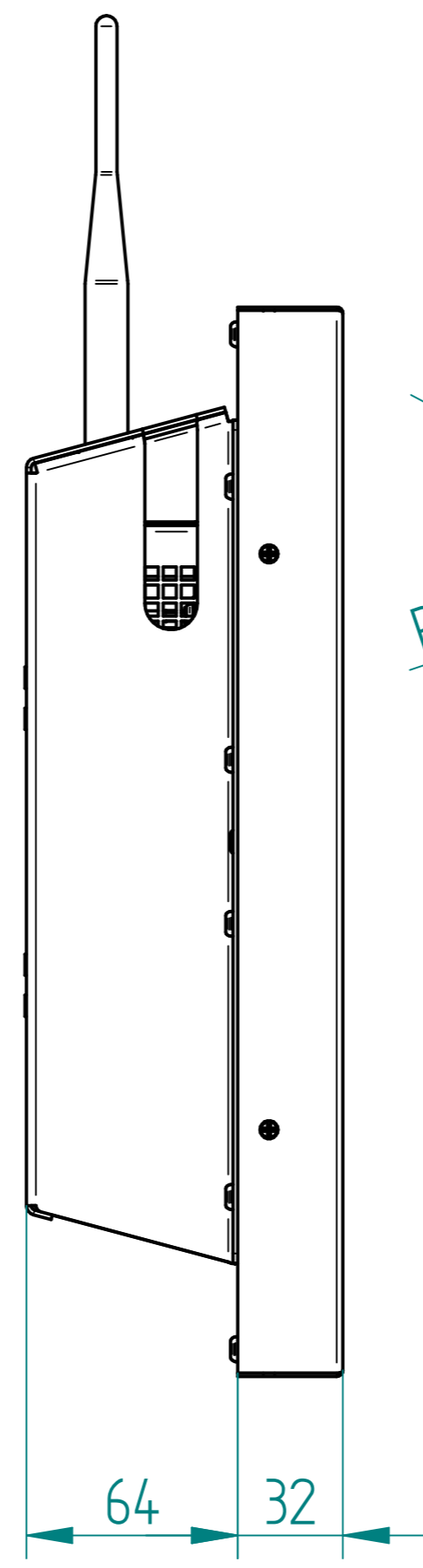
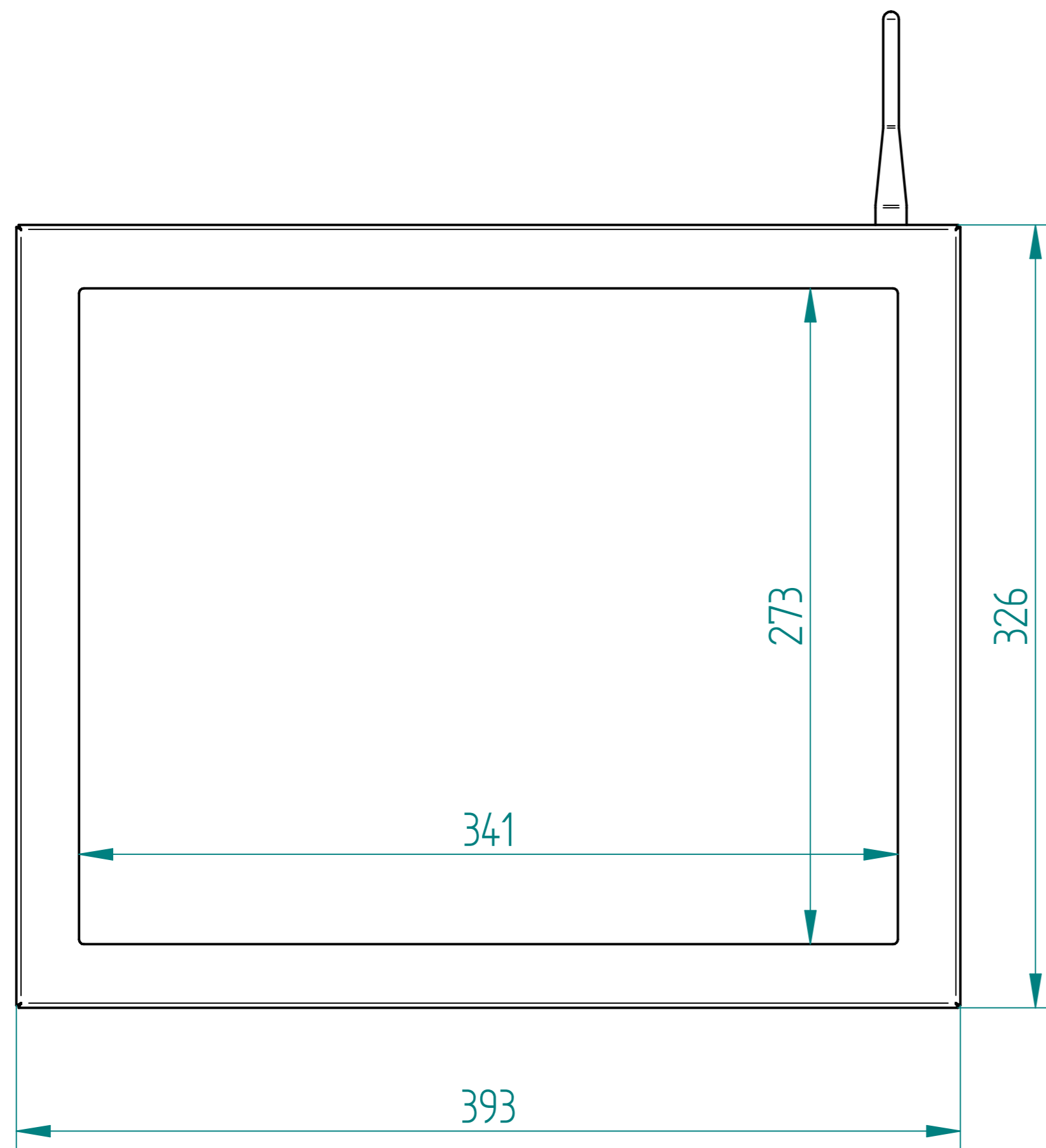


19" RACK-MOUNT FRONT PANEL VERSION

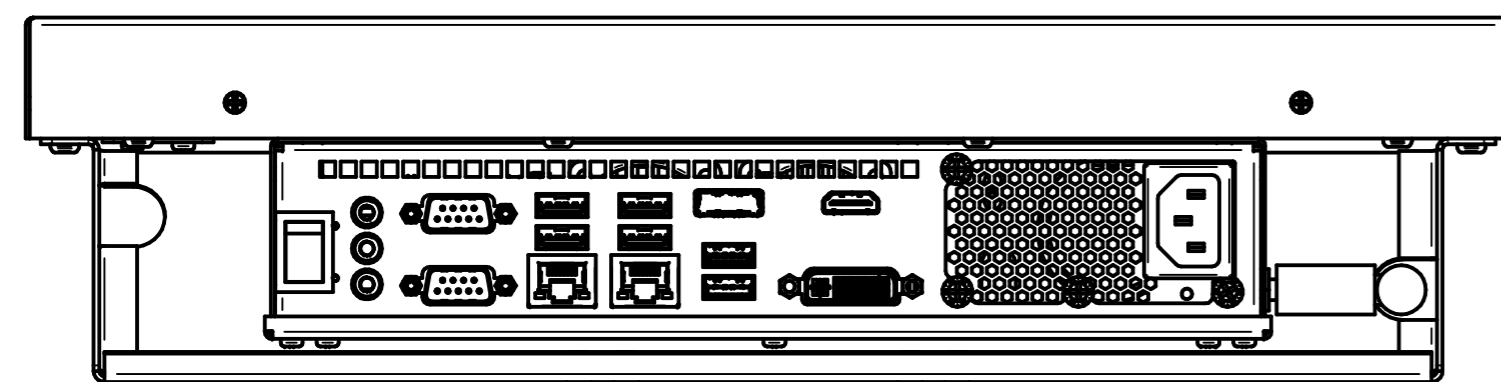


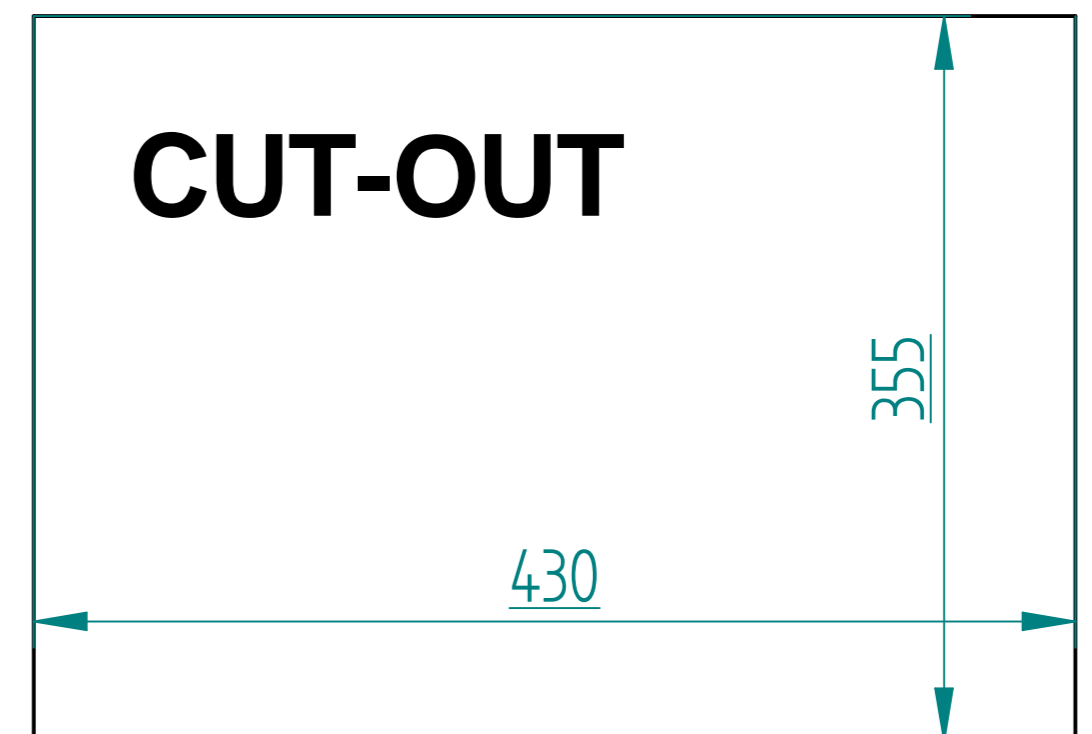
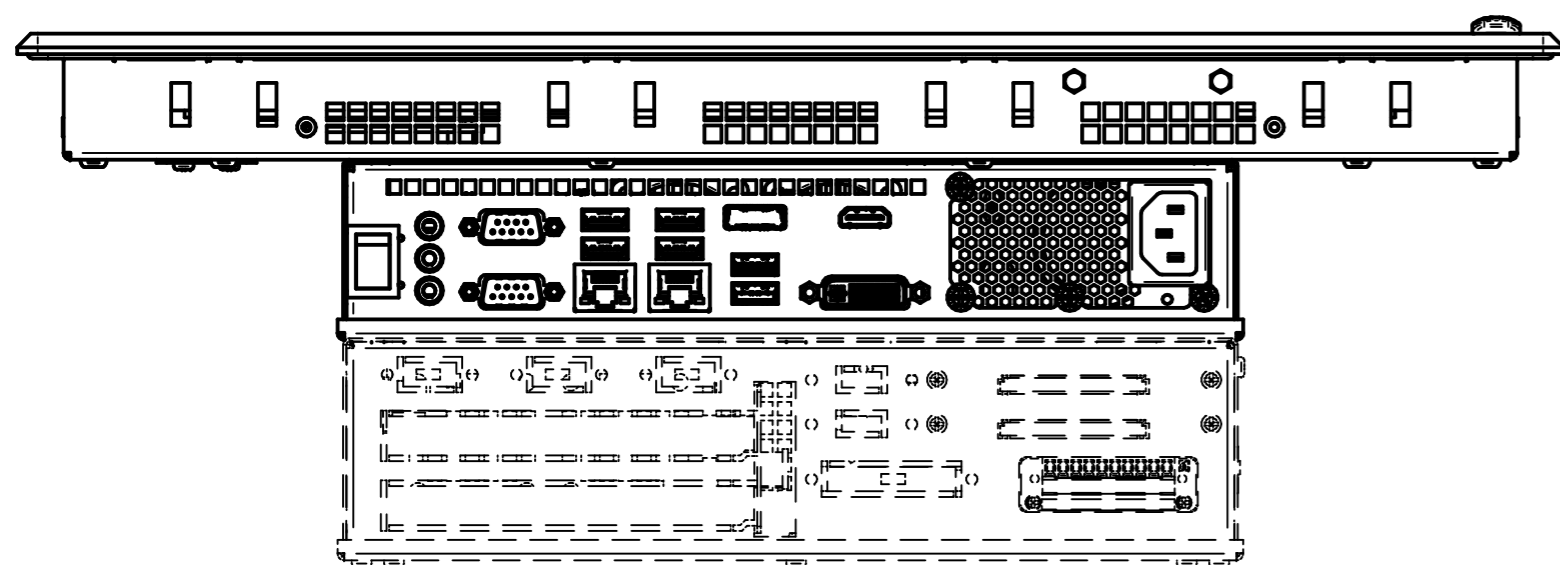
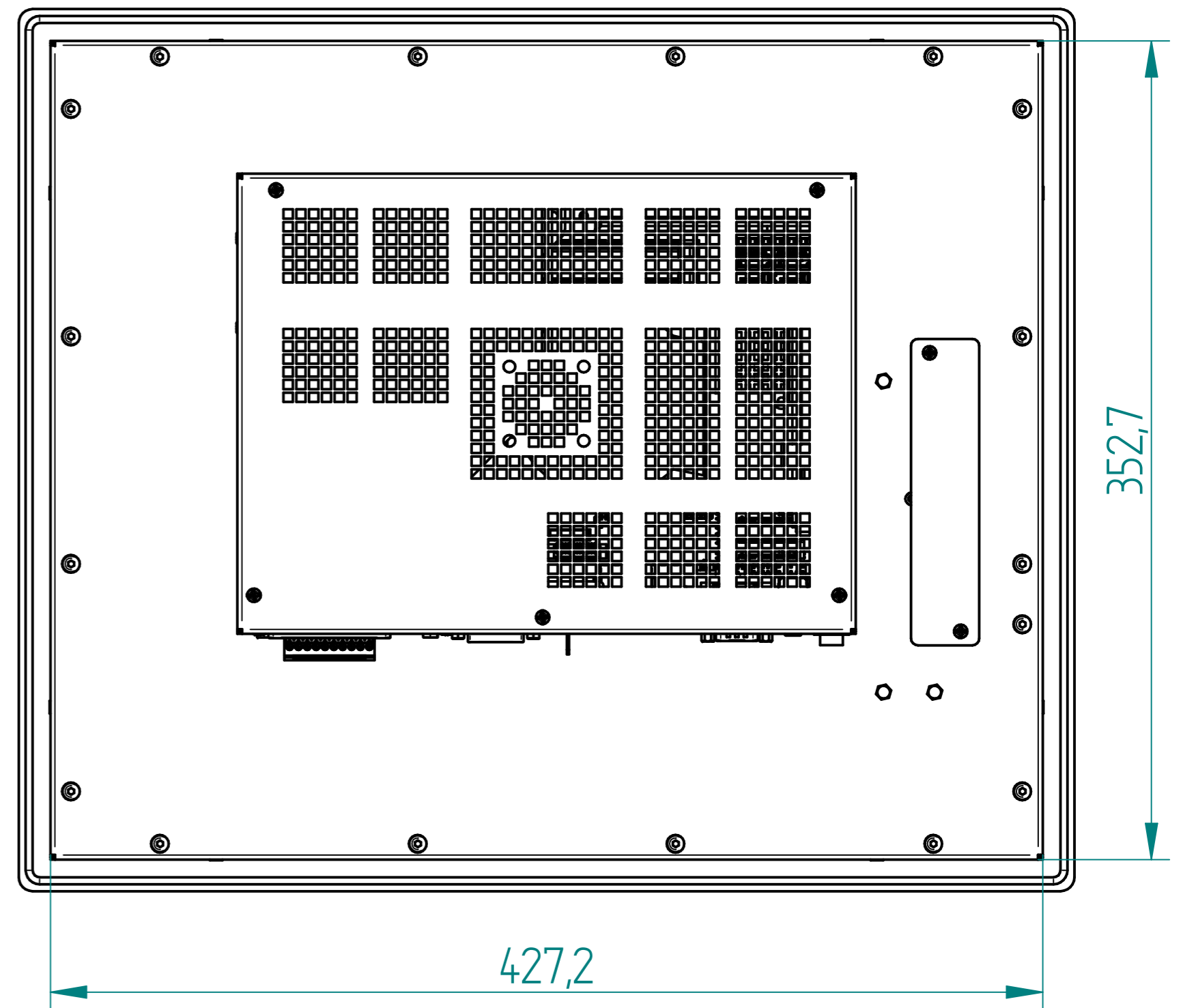
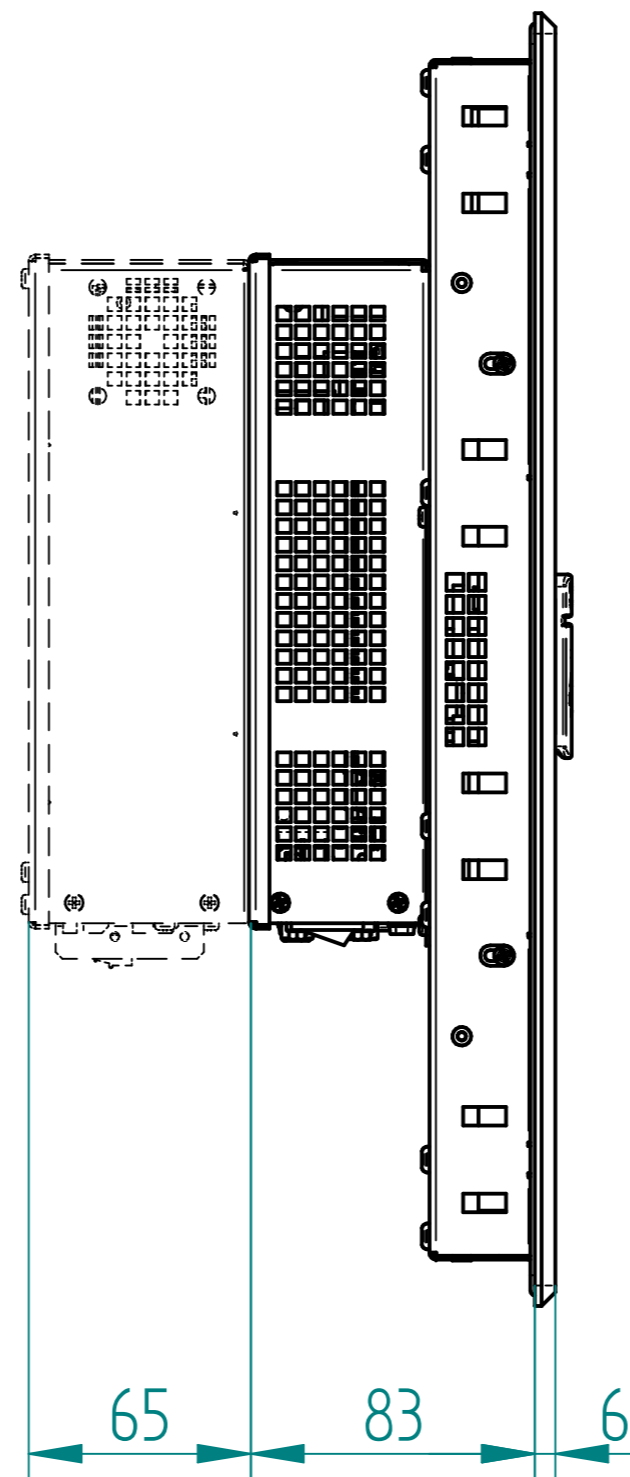
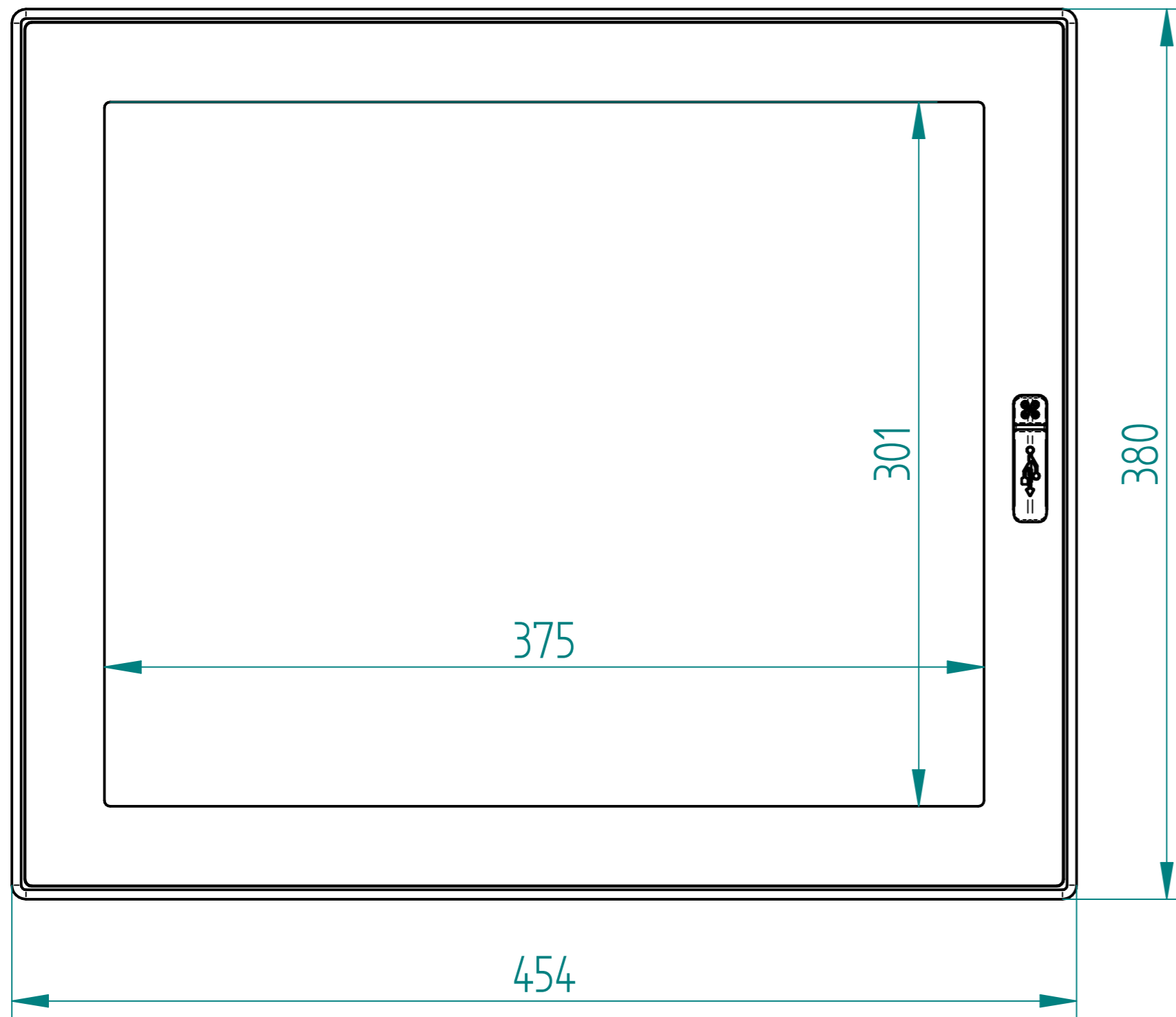
OPEN-FRAME FRONT PANEL VERSION

Specifications are subject to change without notice.

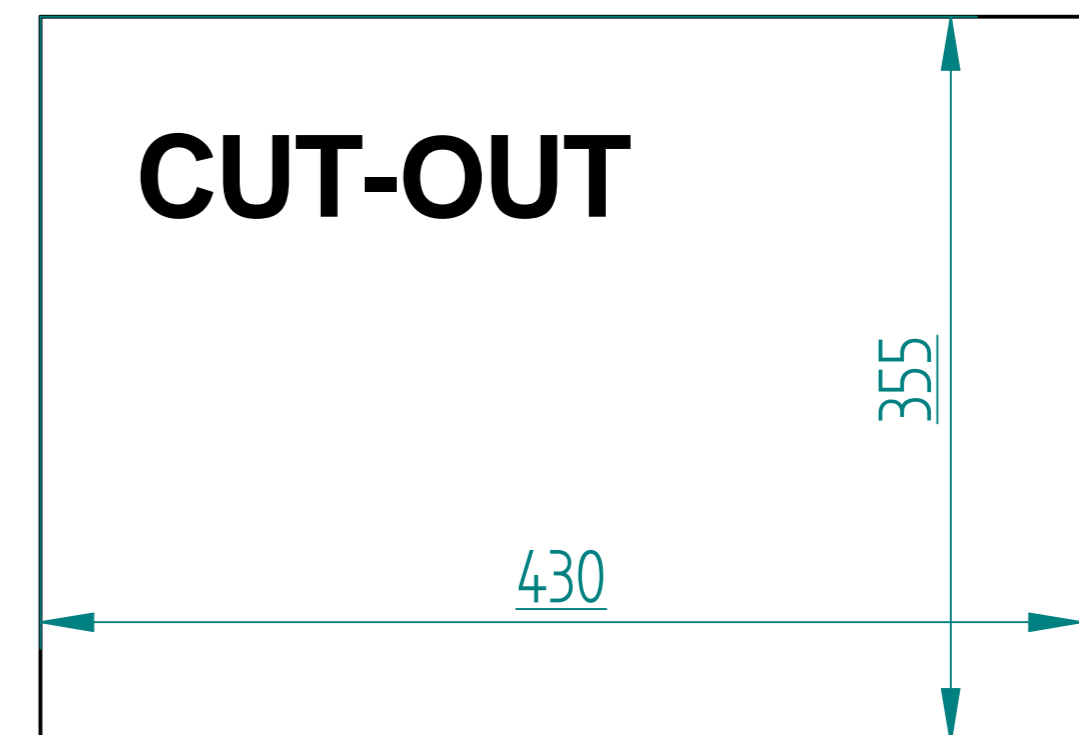
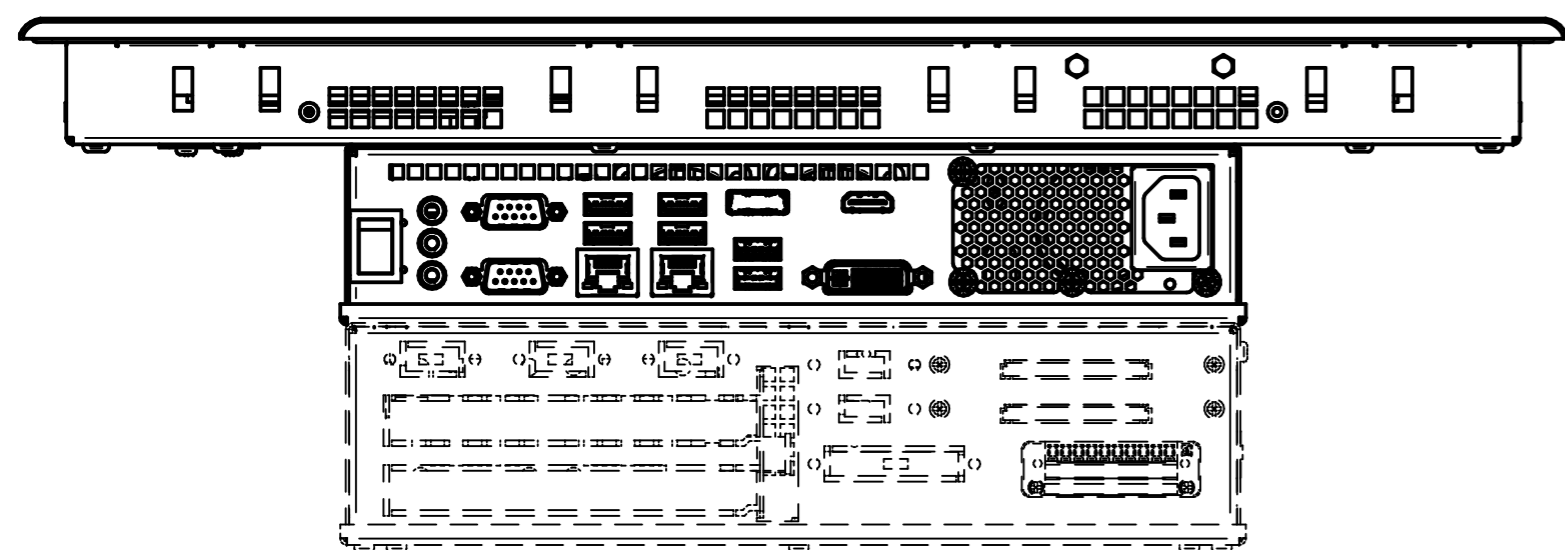
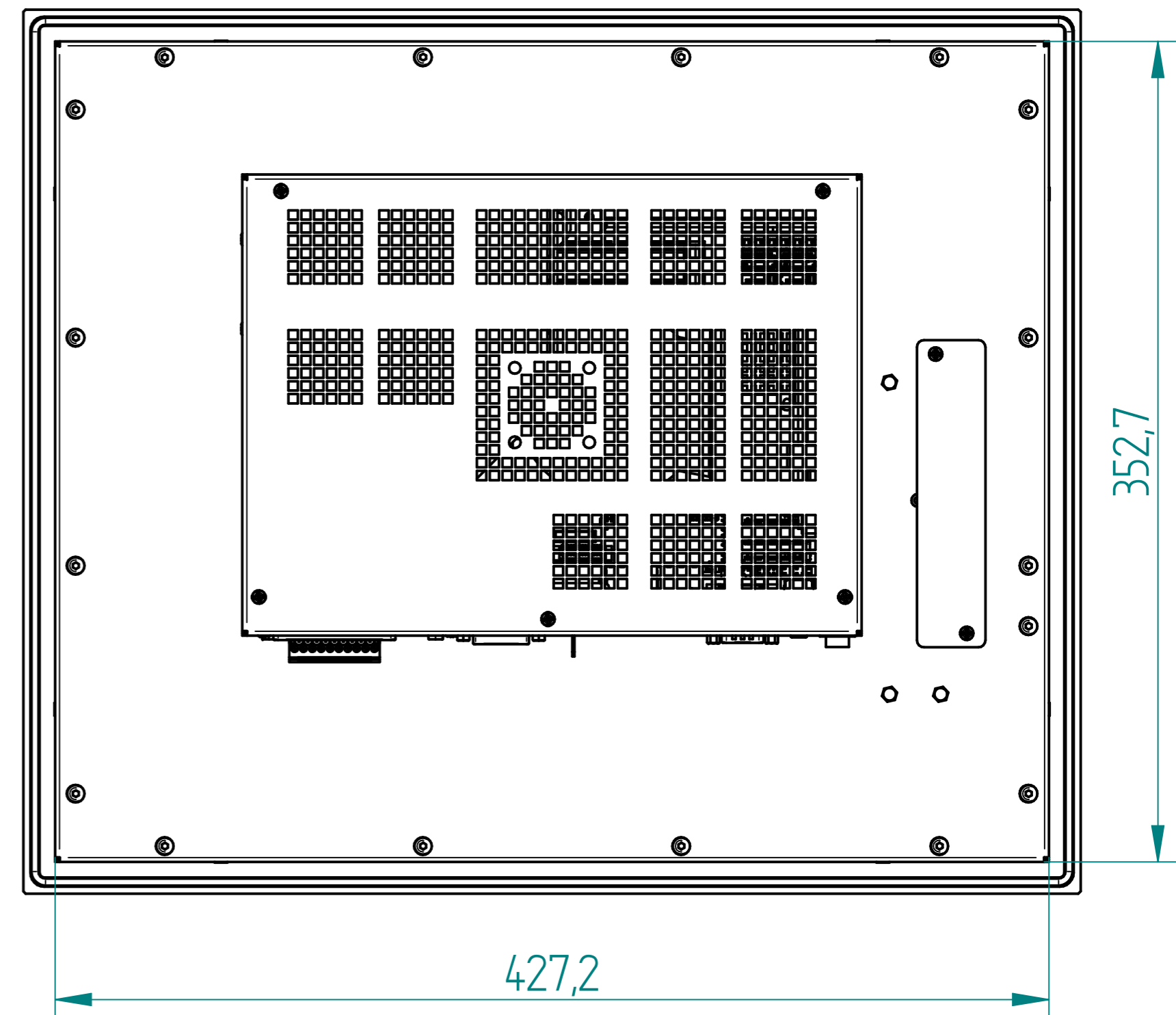
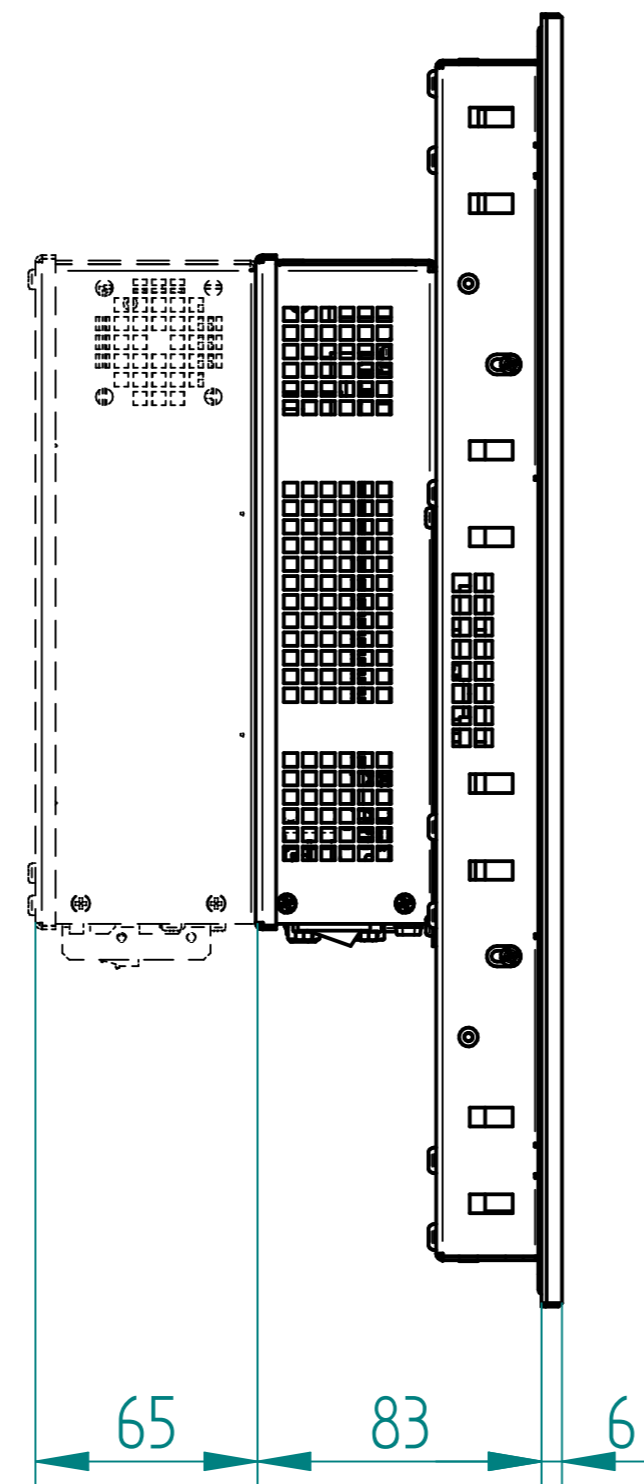
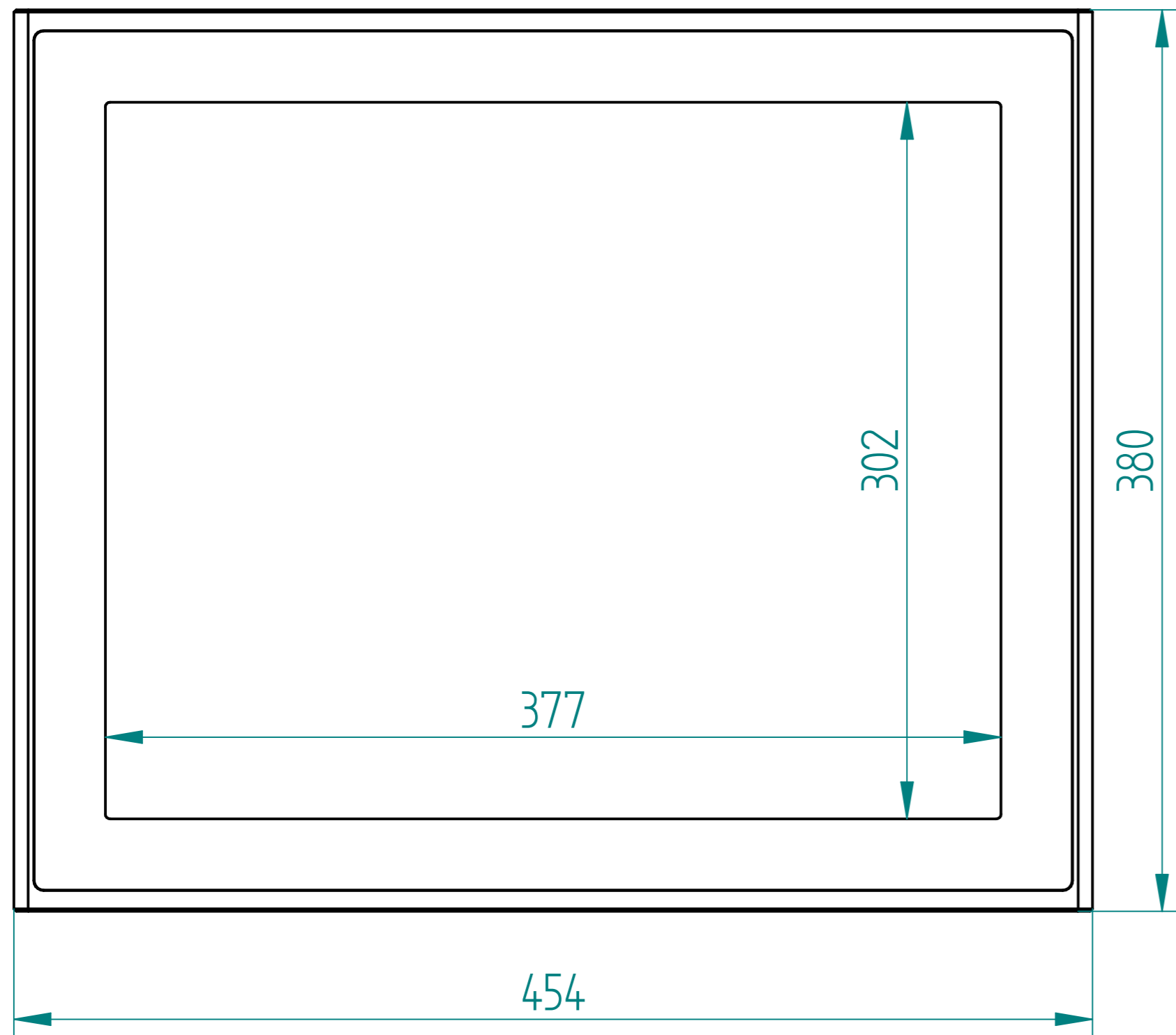


METAL CASE VERSION



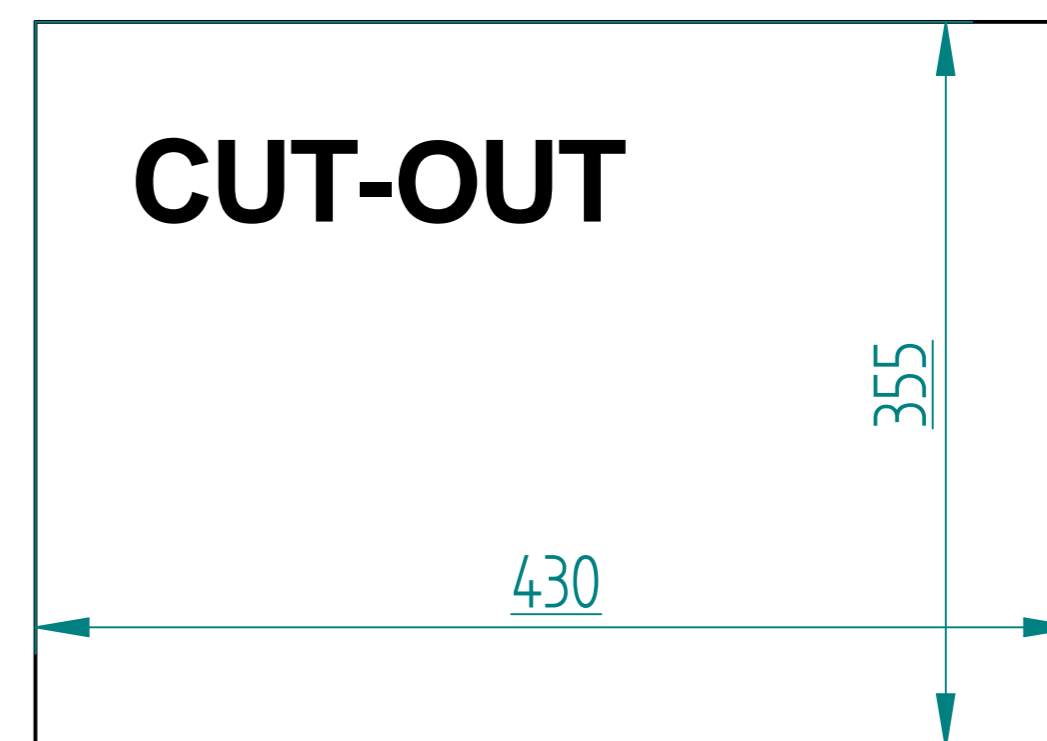
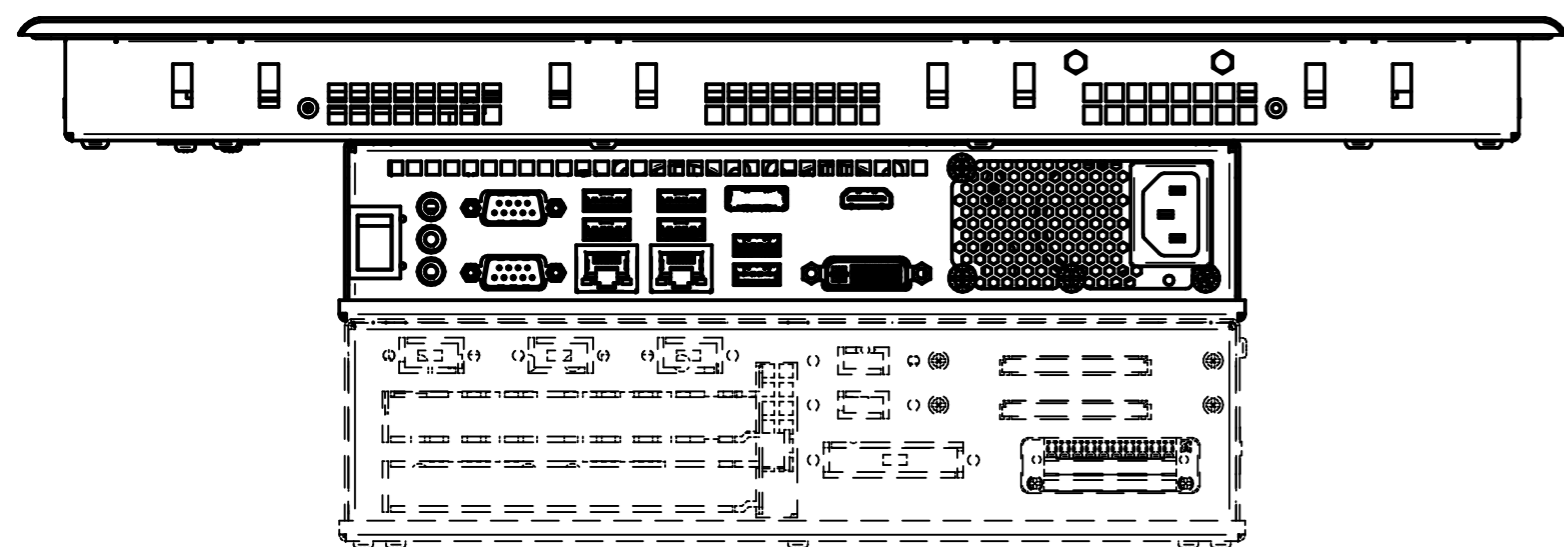
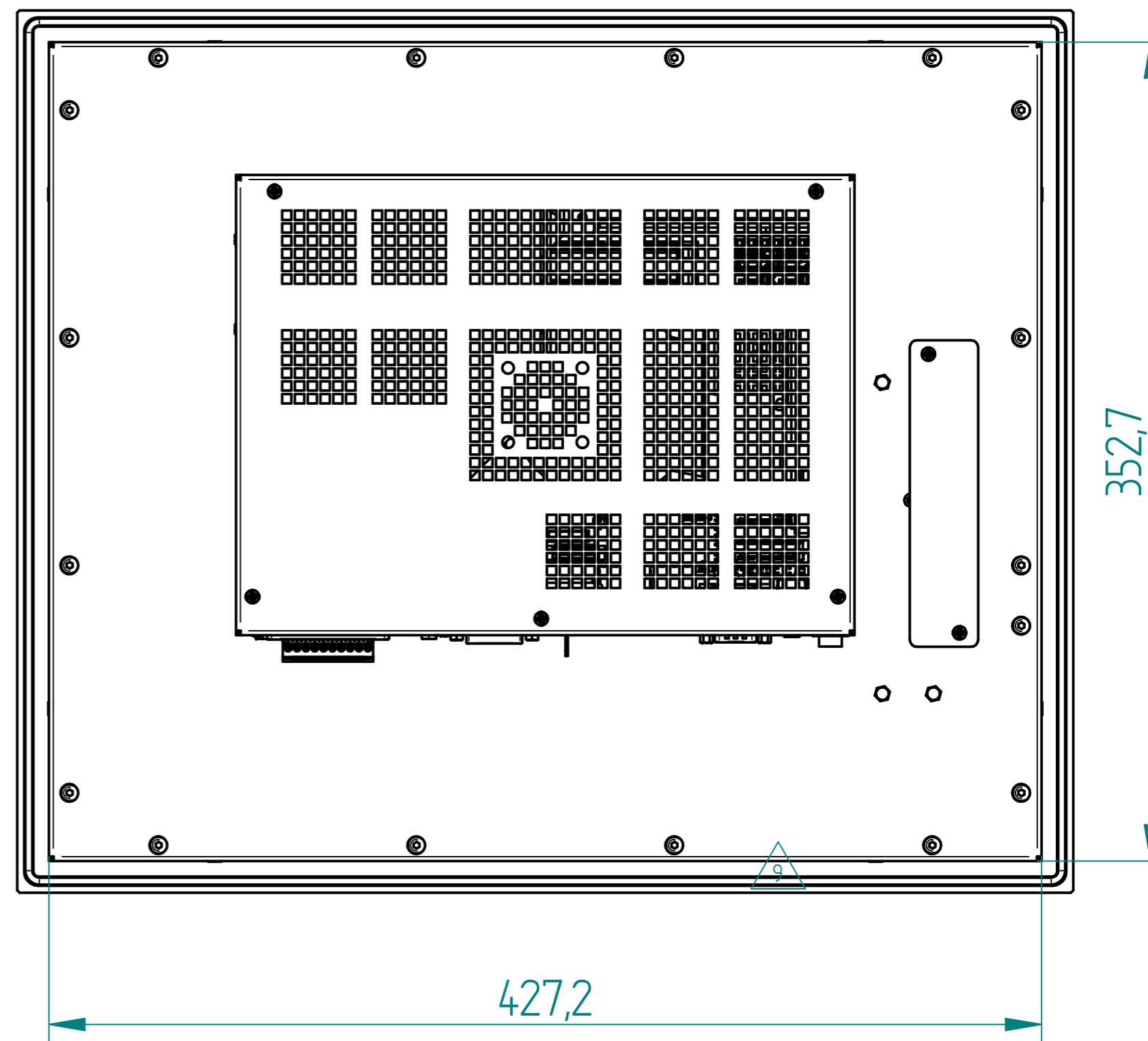
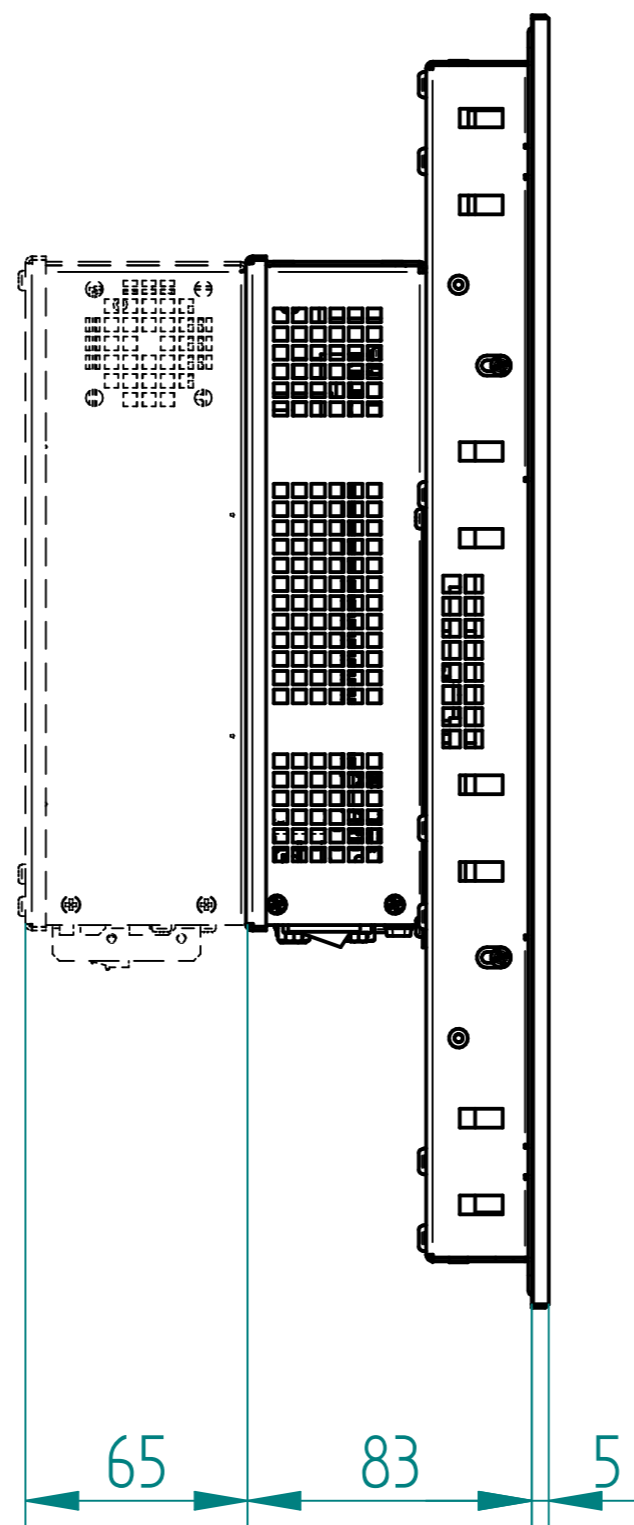
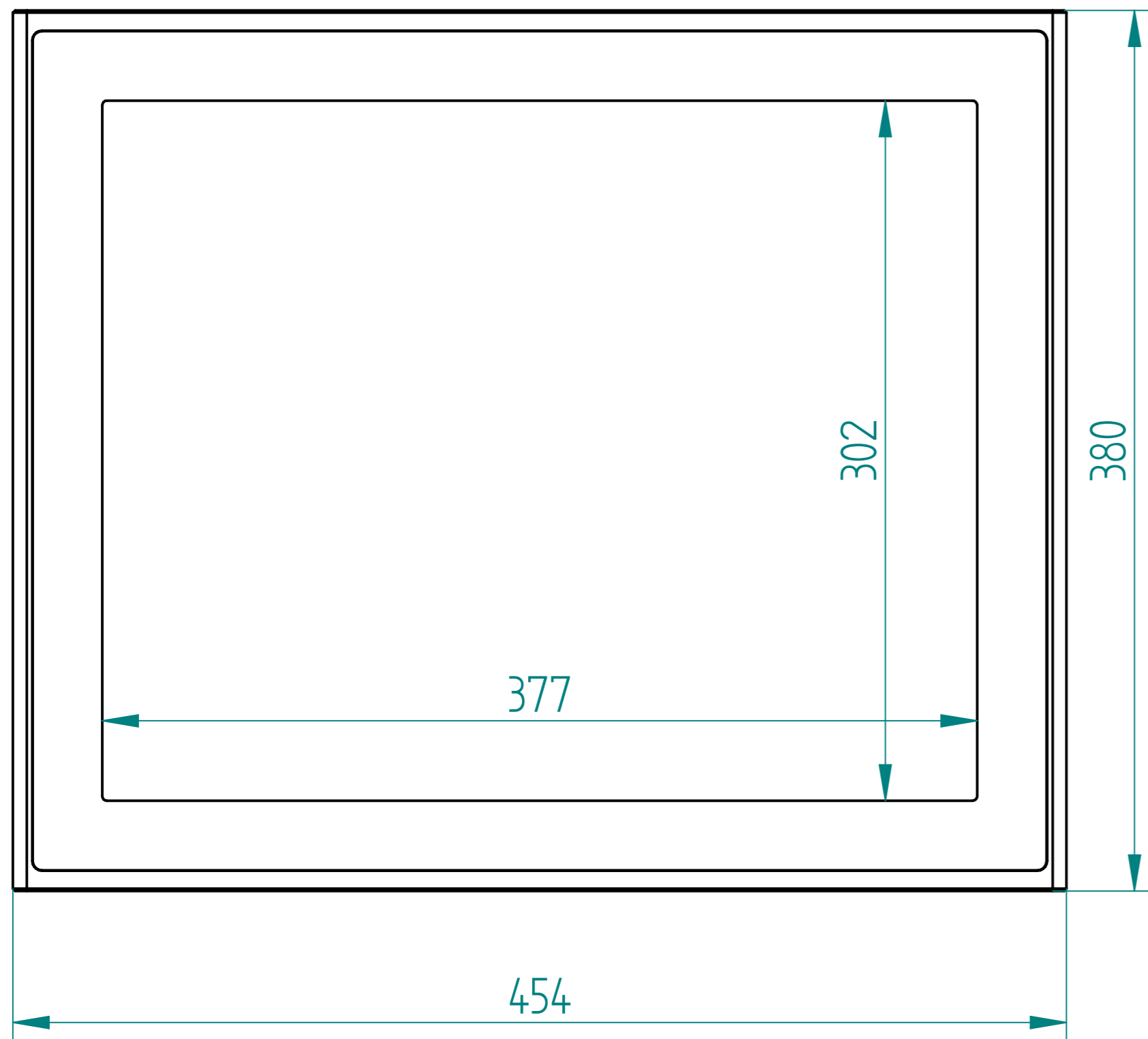


STANDARD FRONT PANEL VERSION

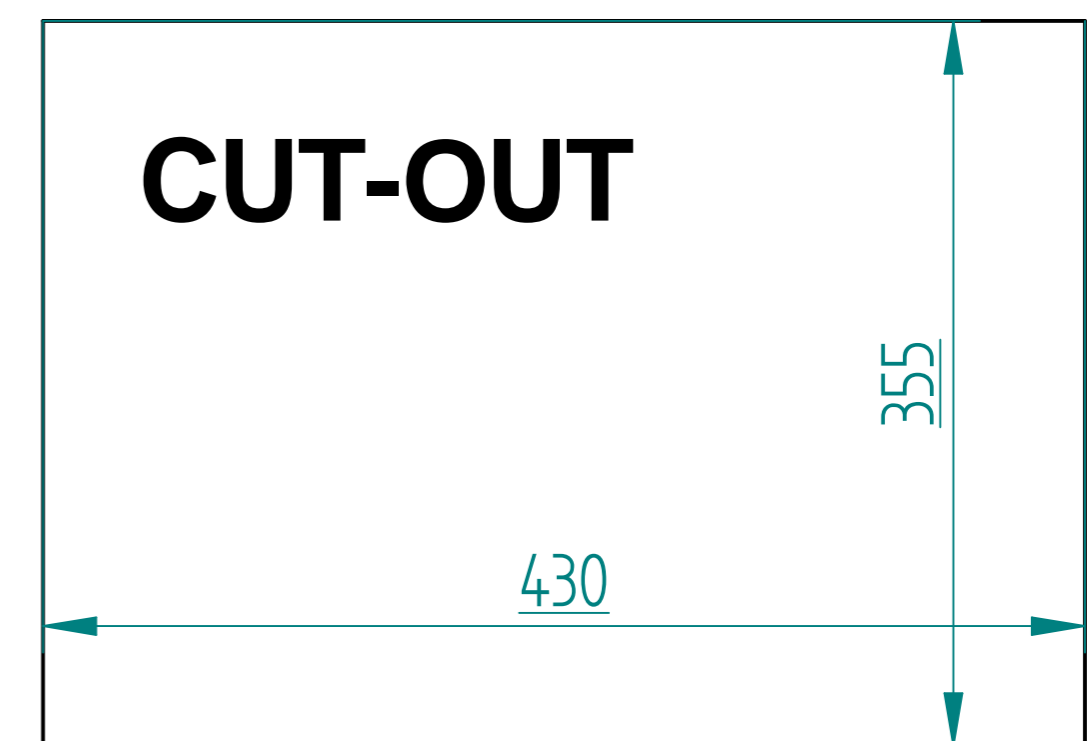
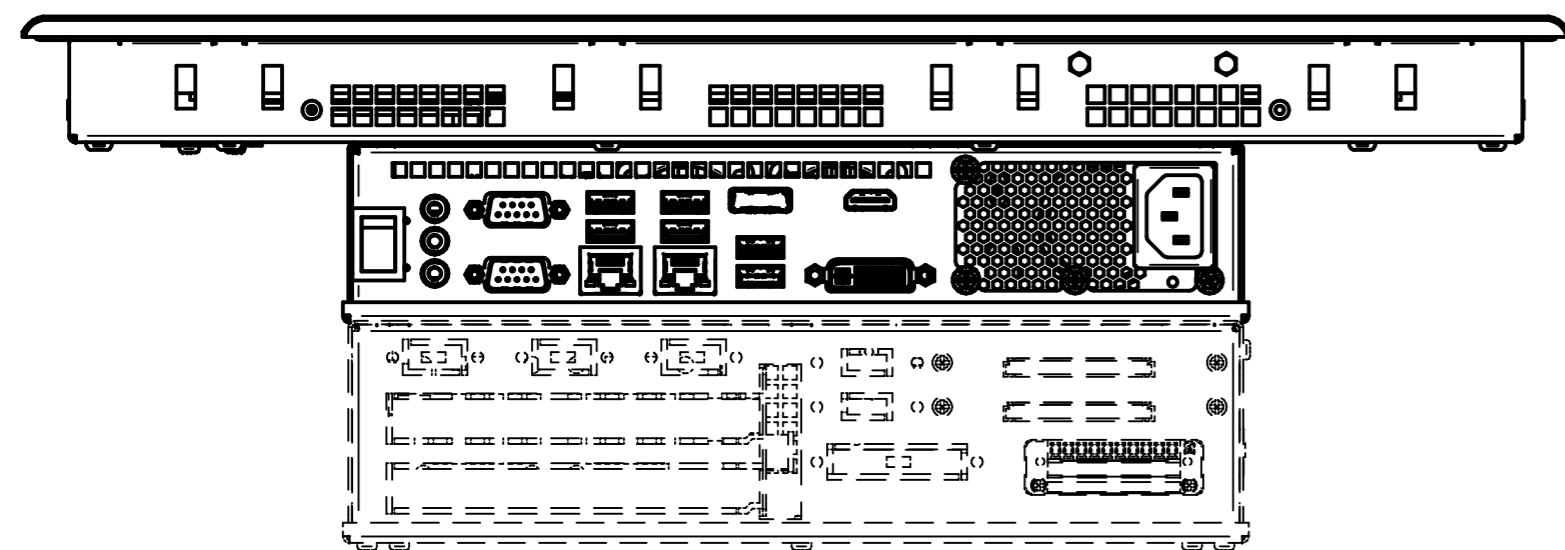
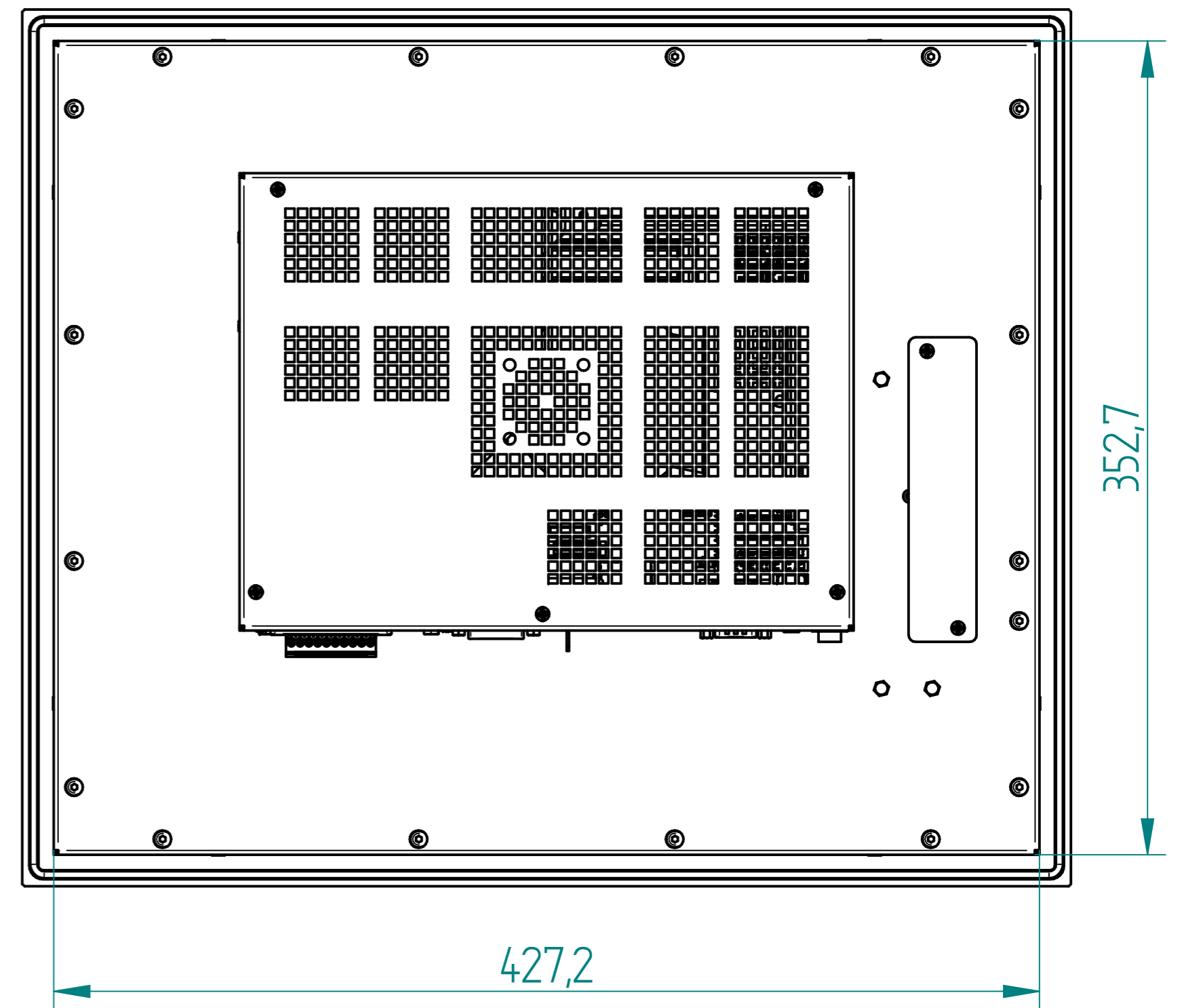
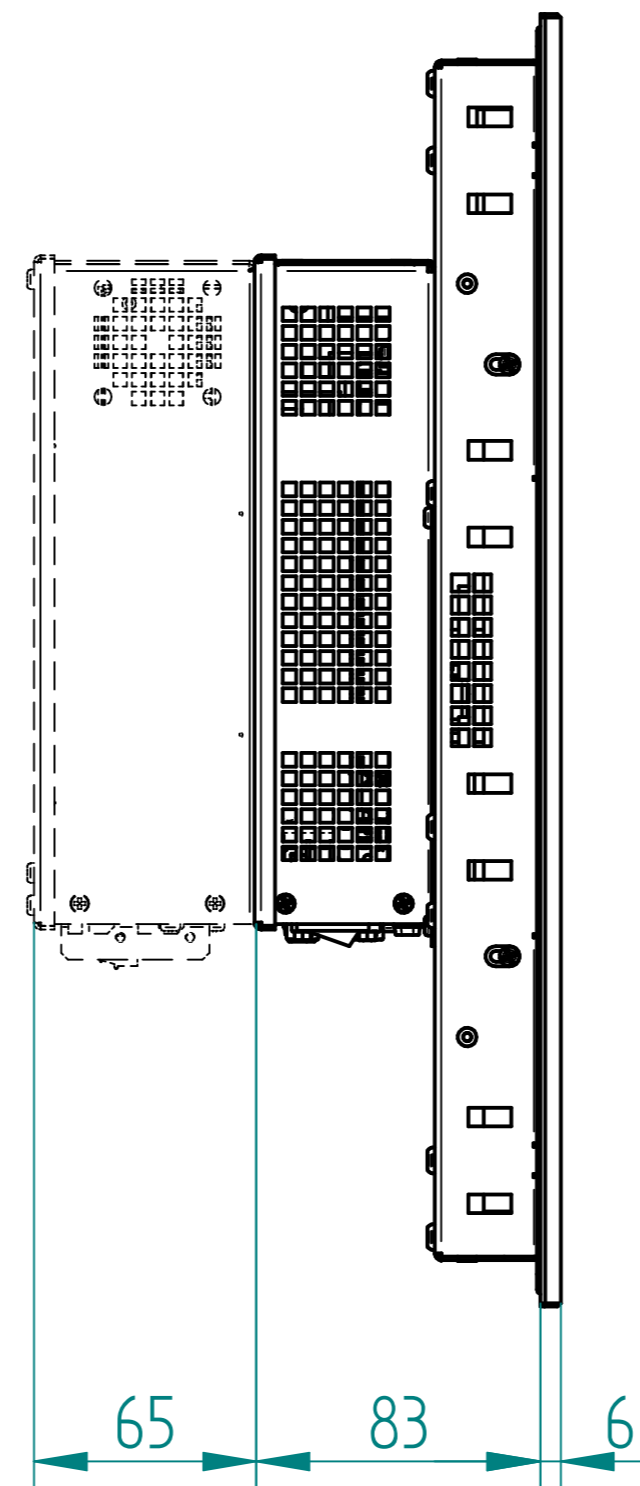
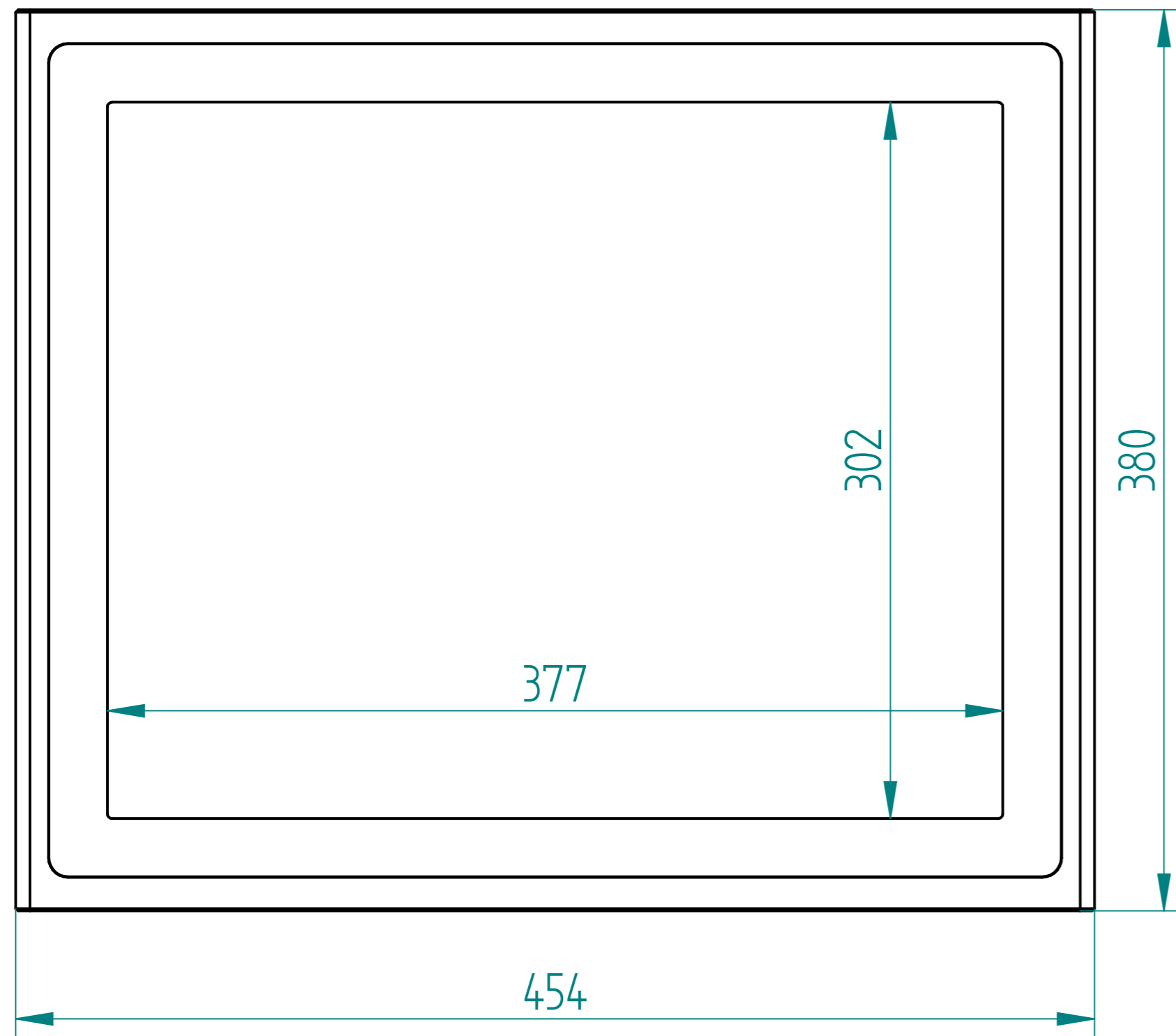


RTF FRONT PANEL VERSION

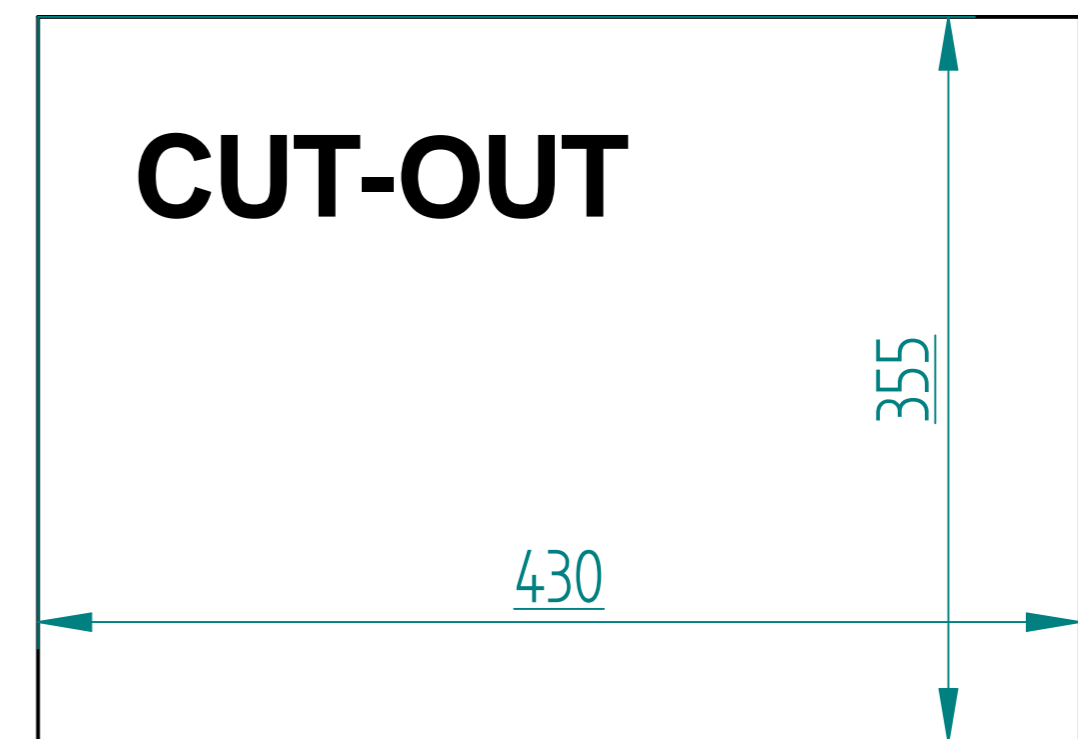
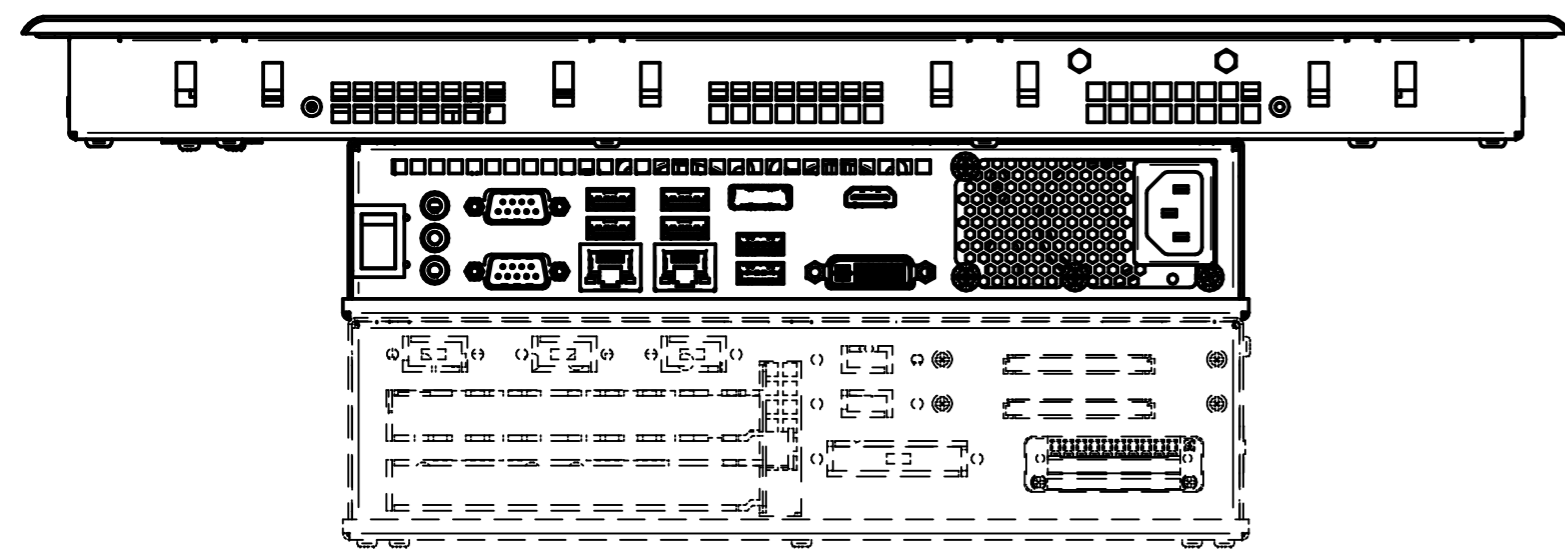
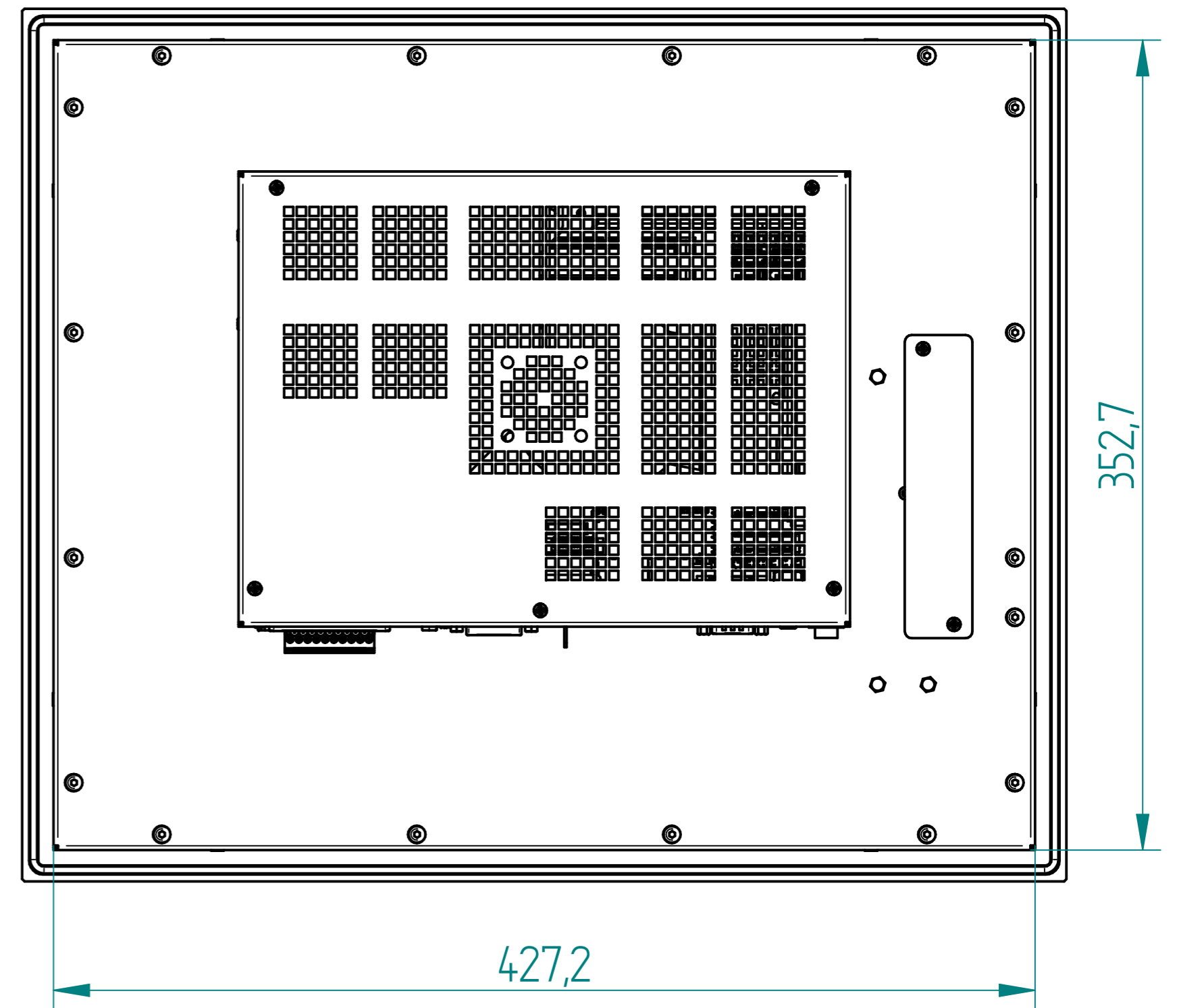
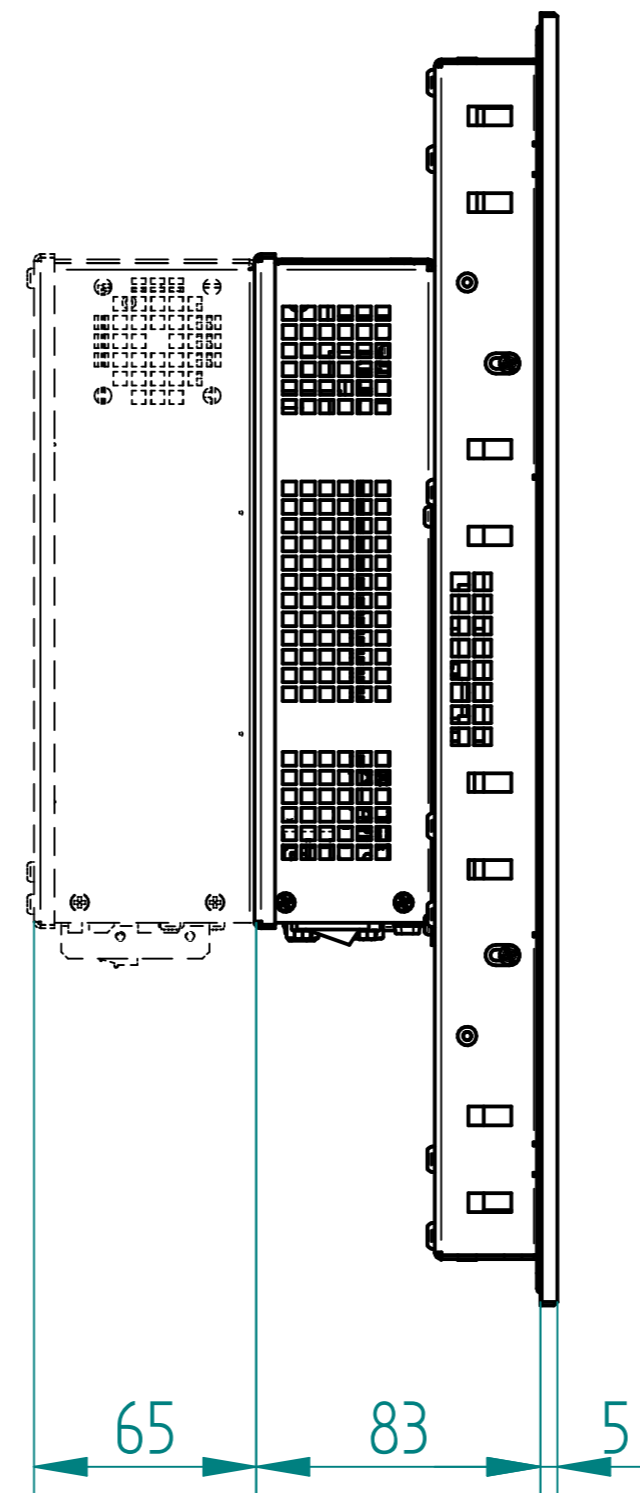
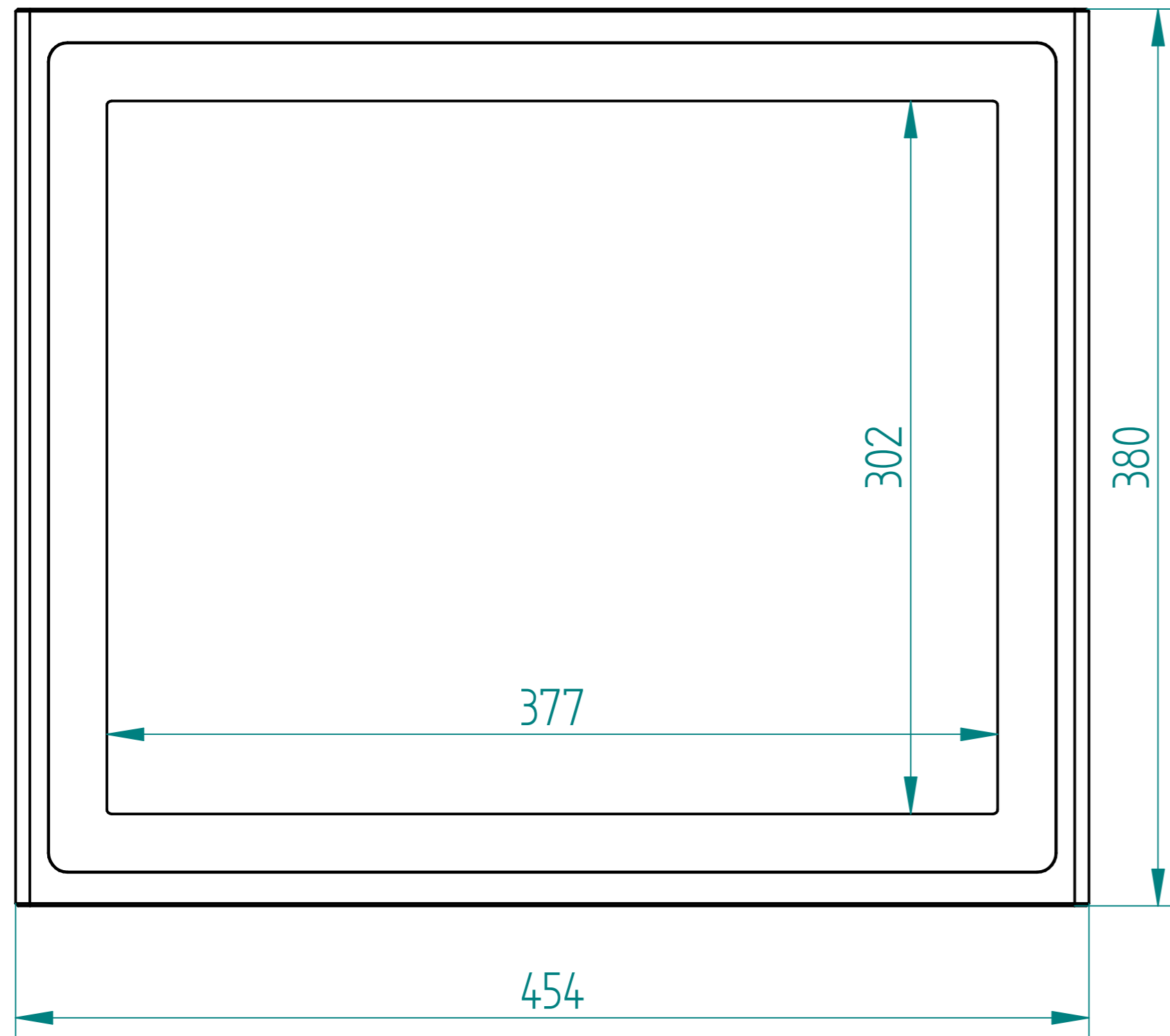
Specifications are subject to change without notice.



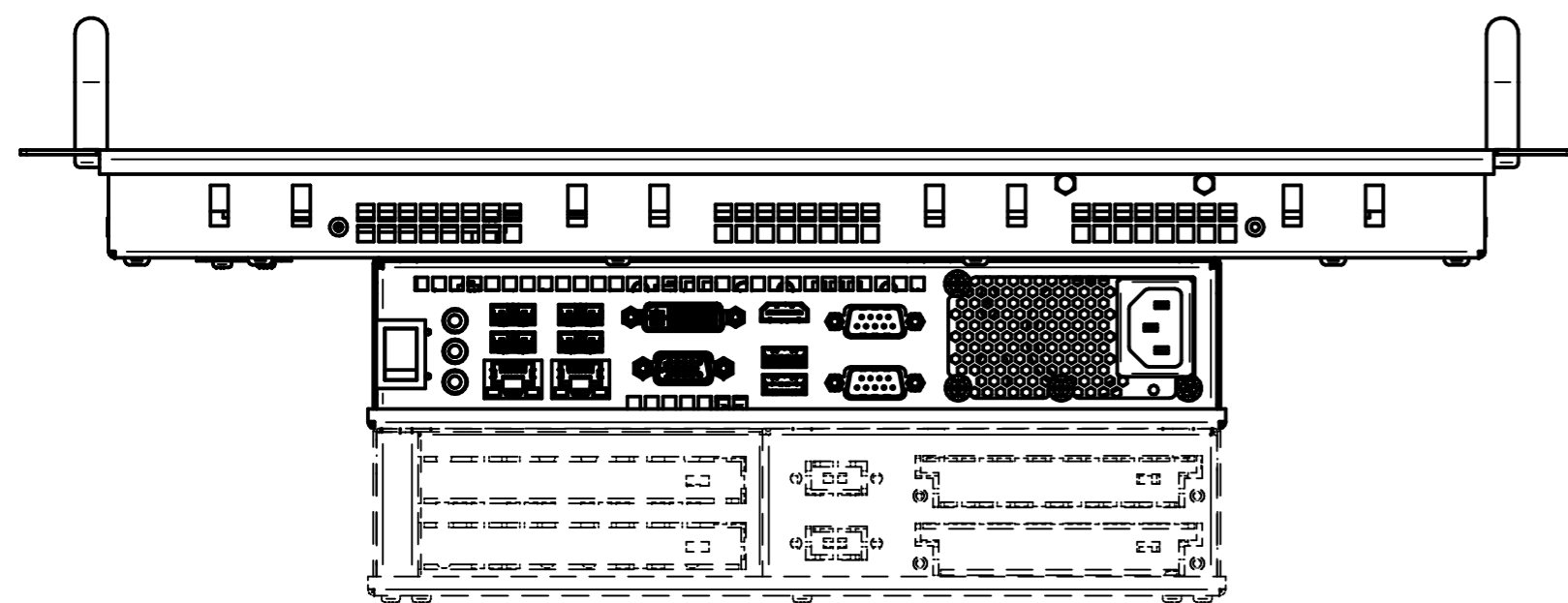
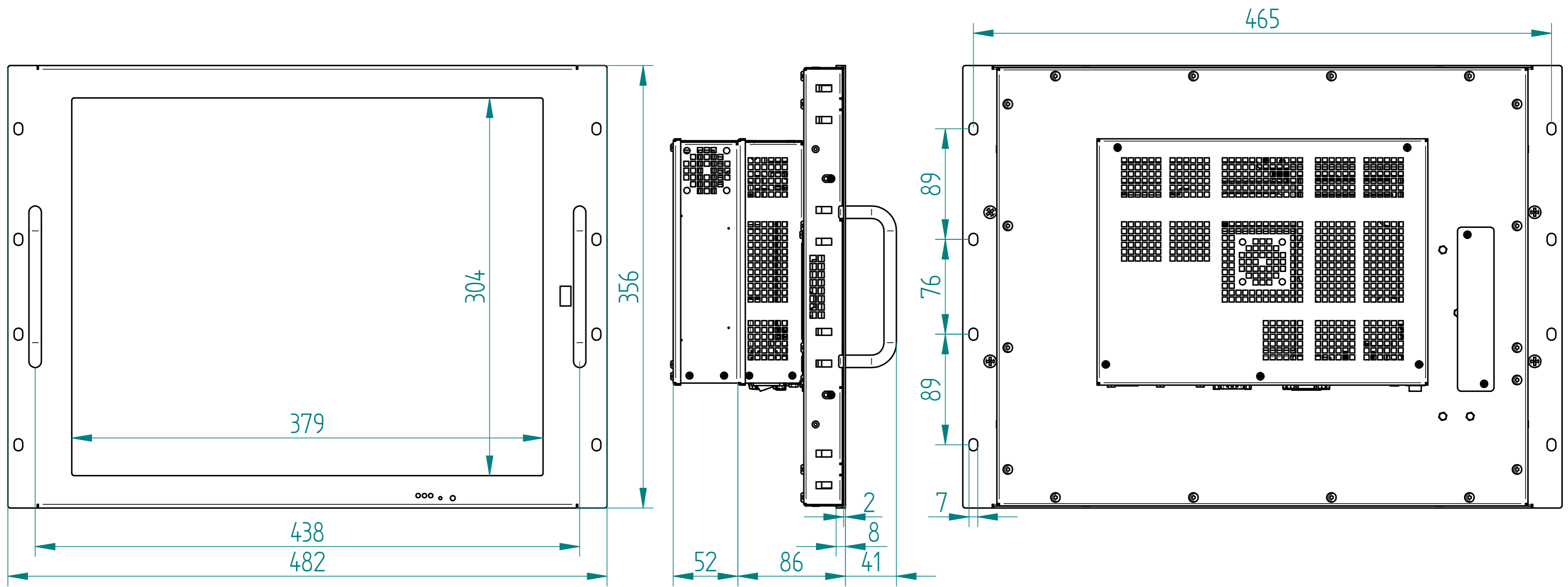
RTFX FRONT PANEL VERSION



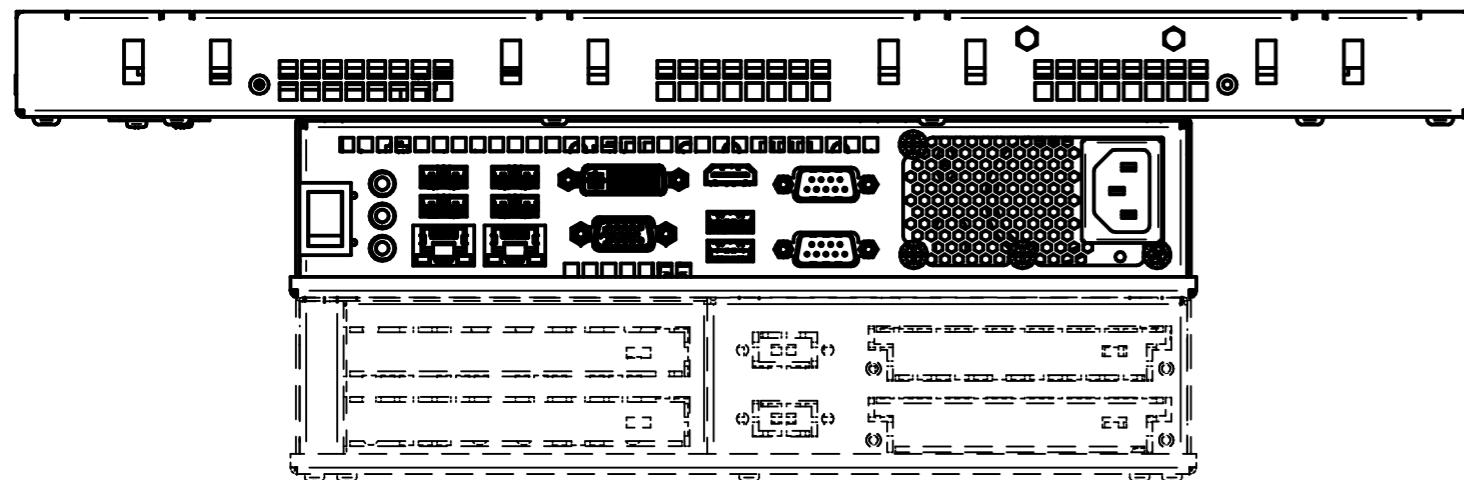
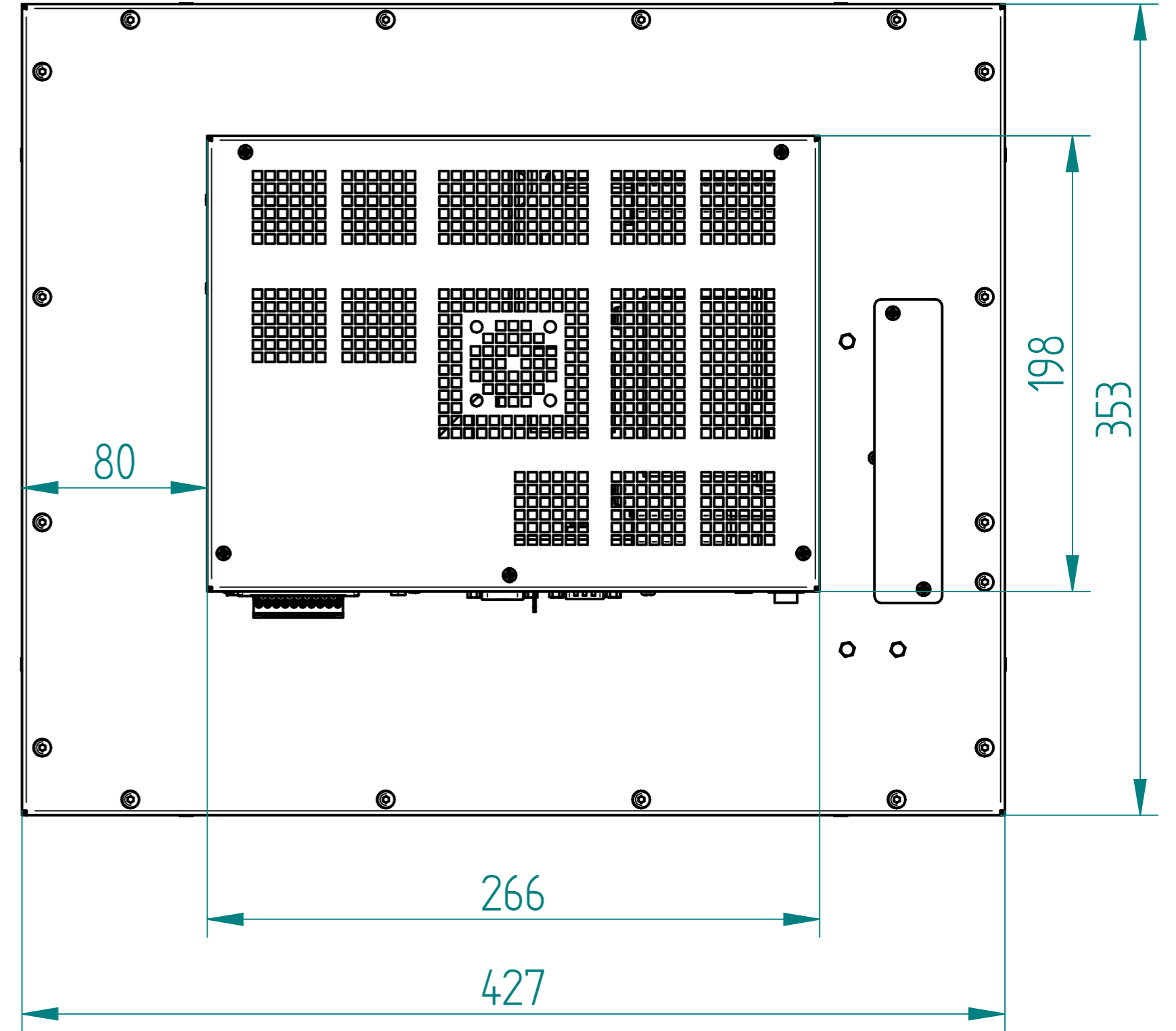
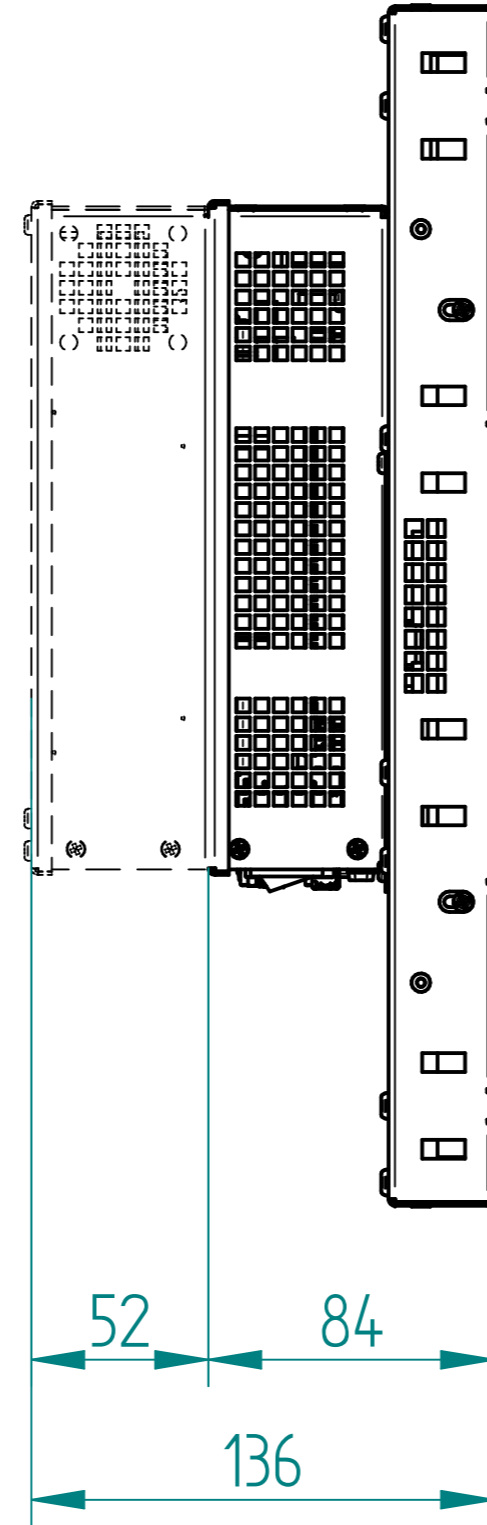
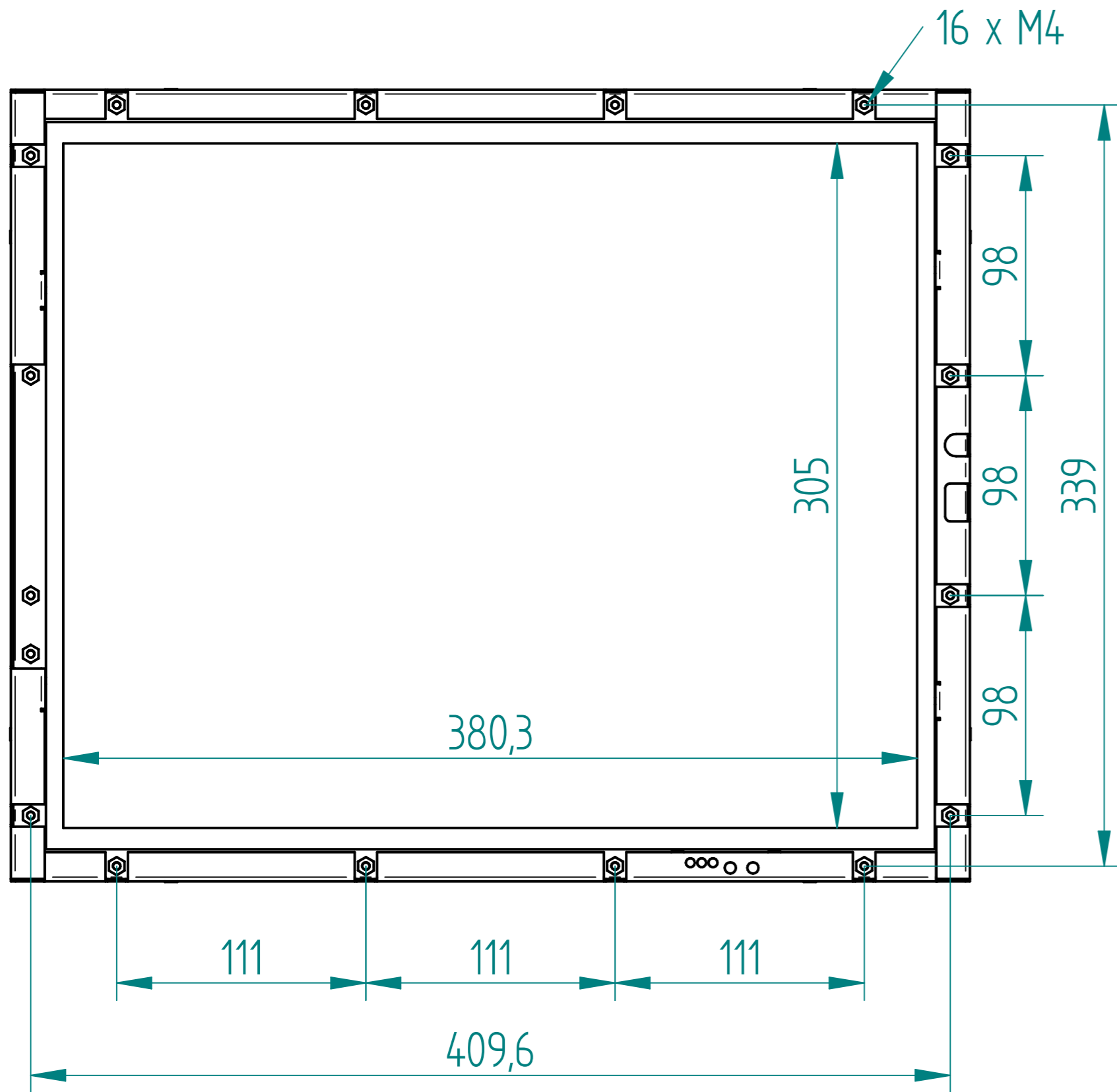
PCT FRONT PANEL VERSION



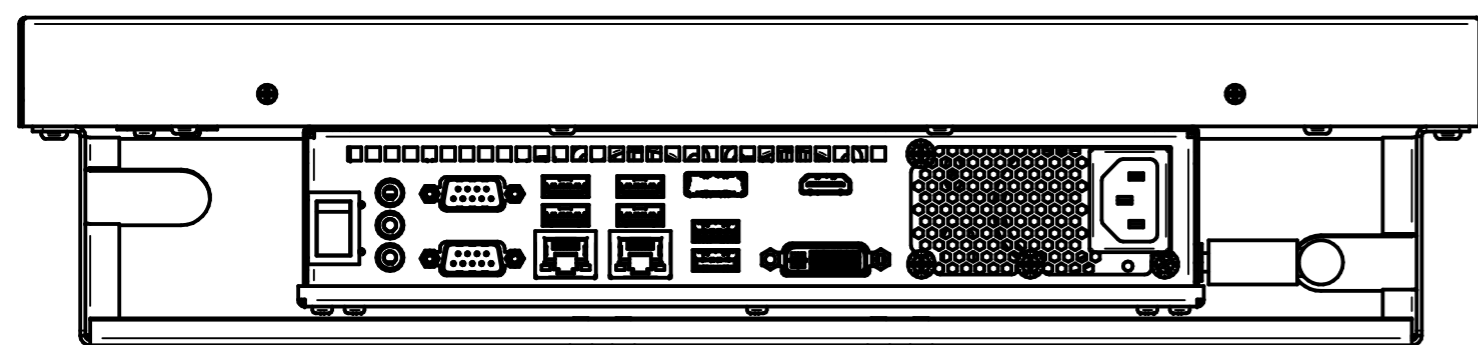
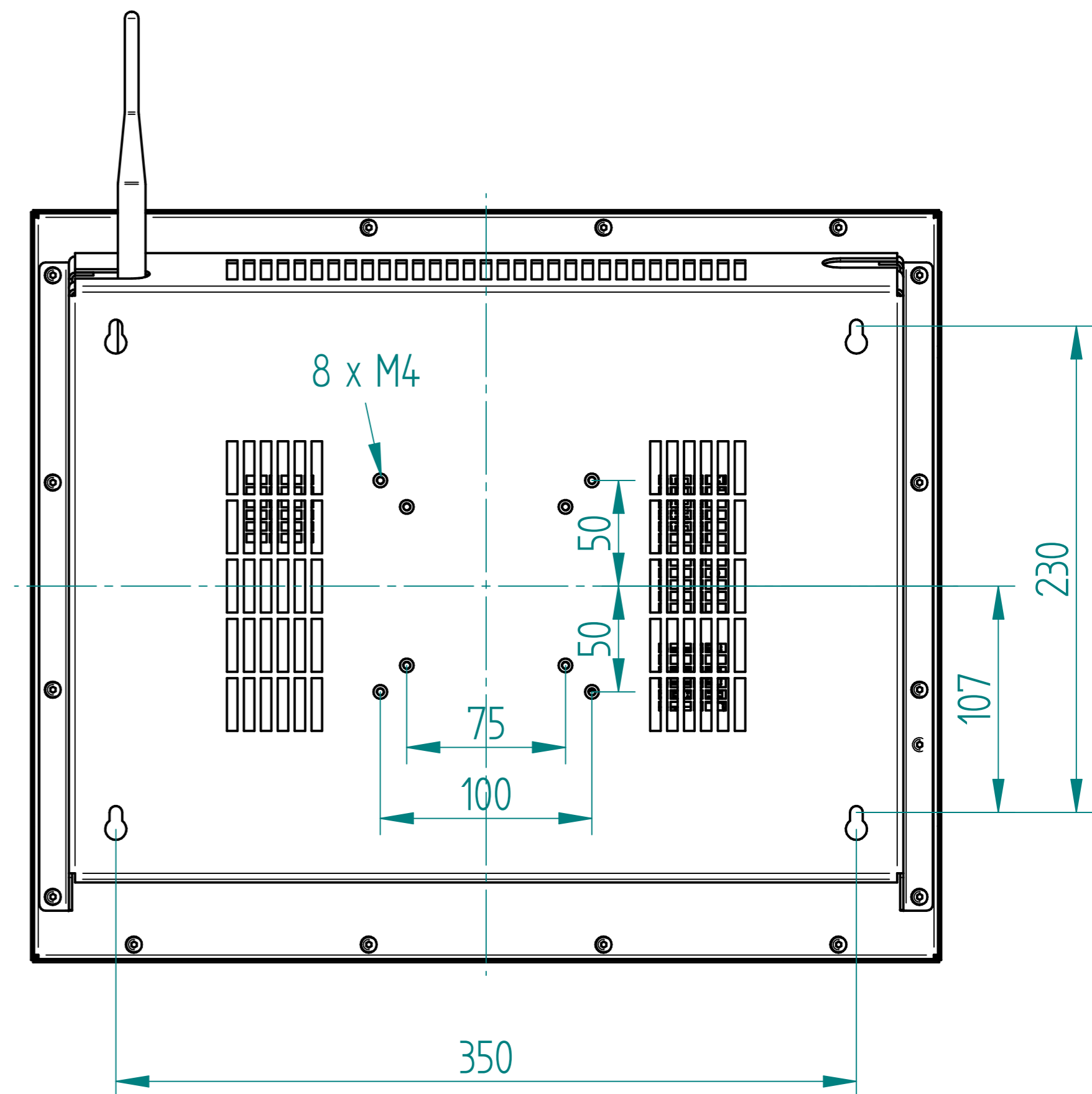
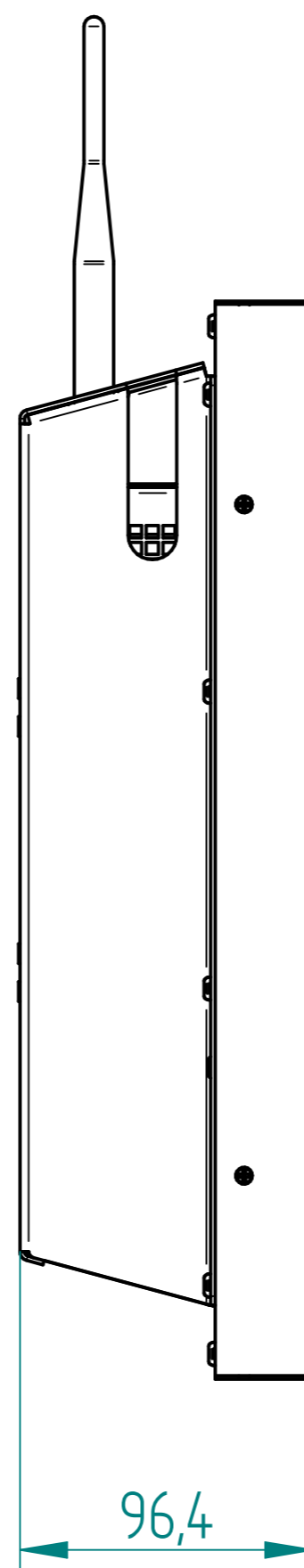
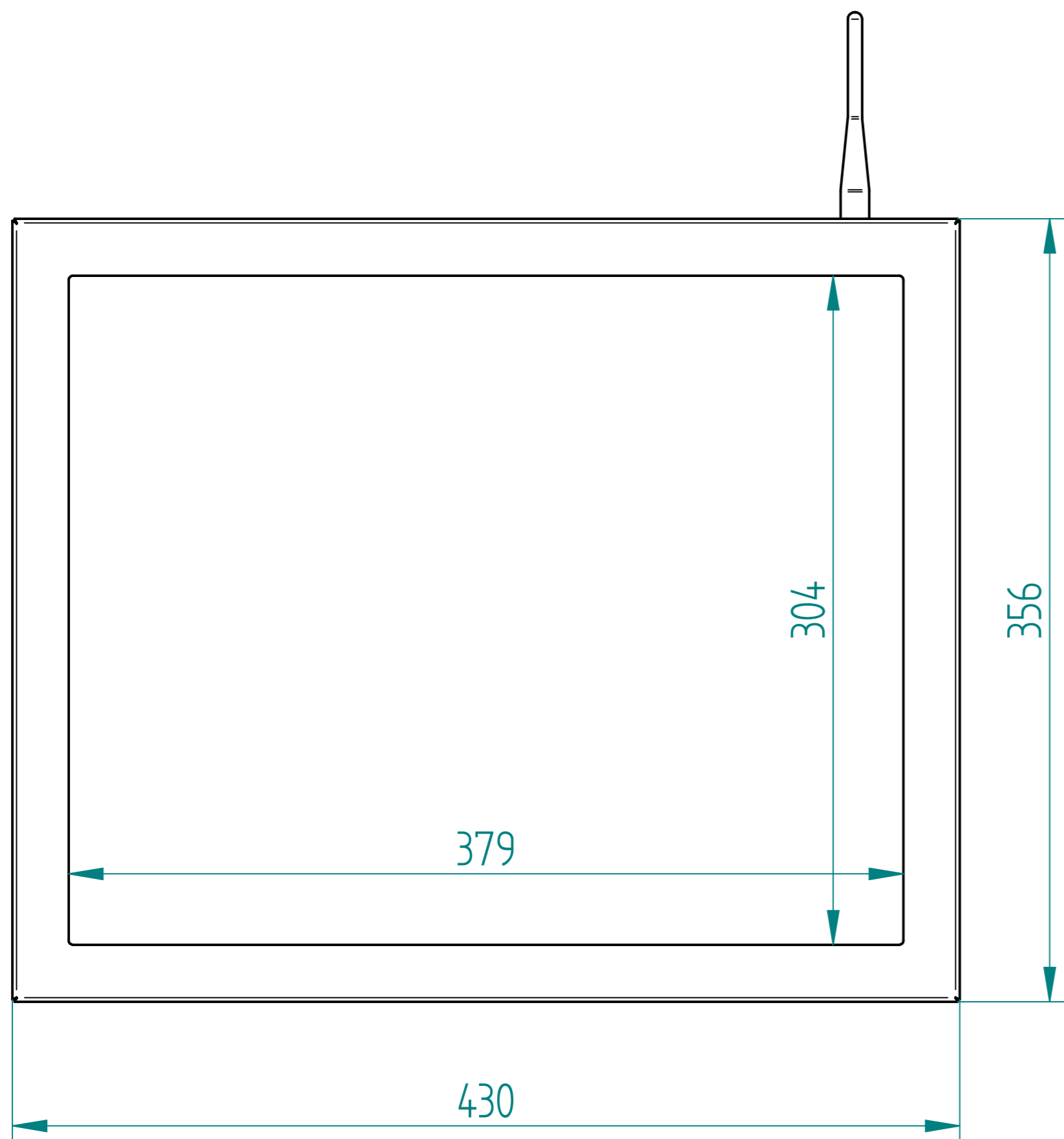
PCTX FRONT PANEL VERSION



19" RACK-MOUNT FRONT PANEL VERSION

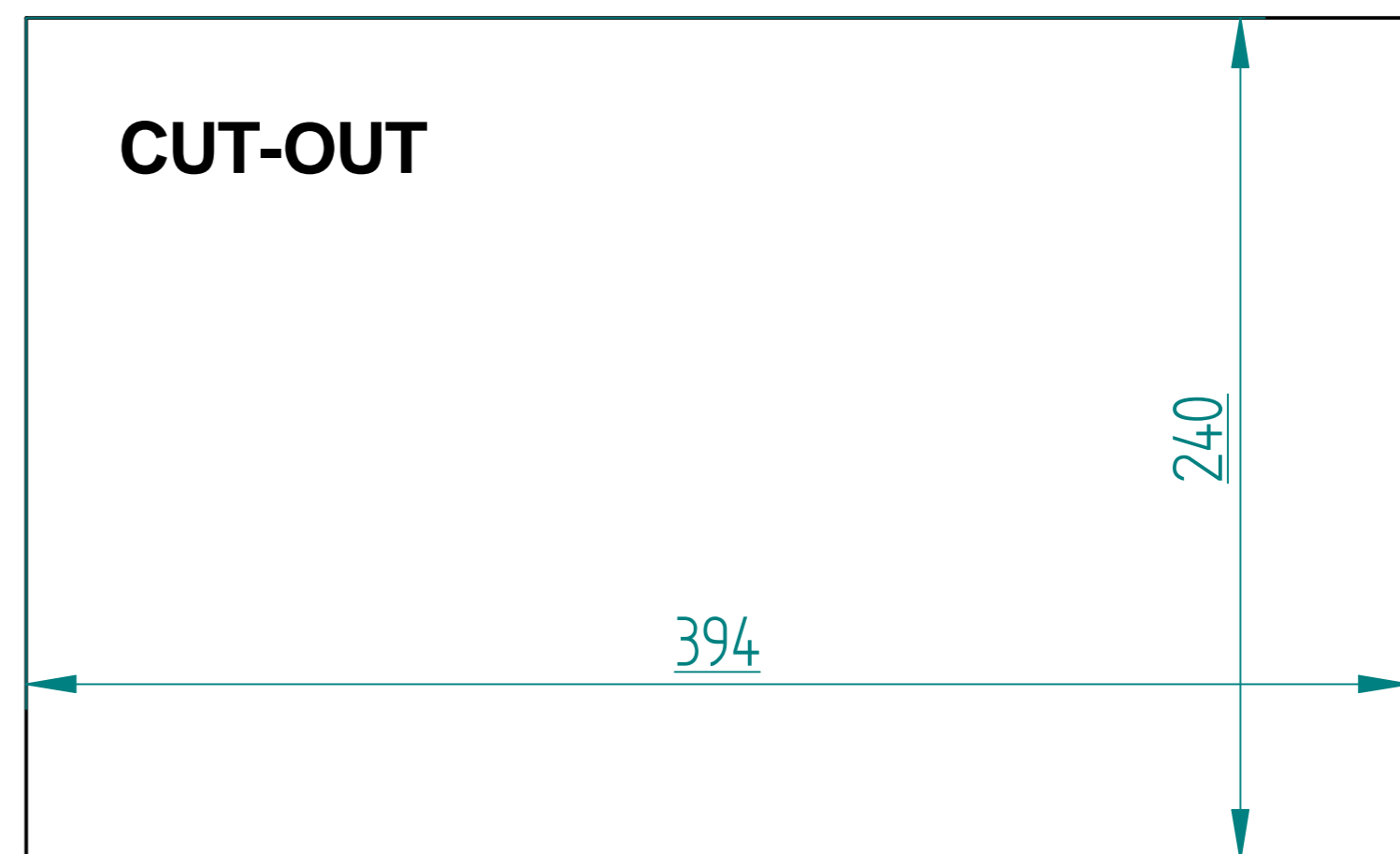
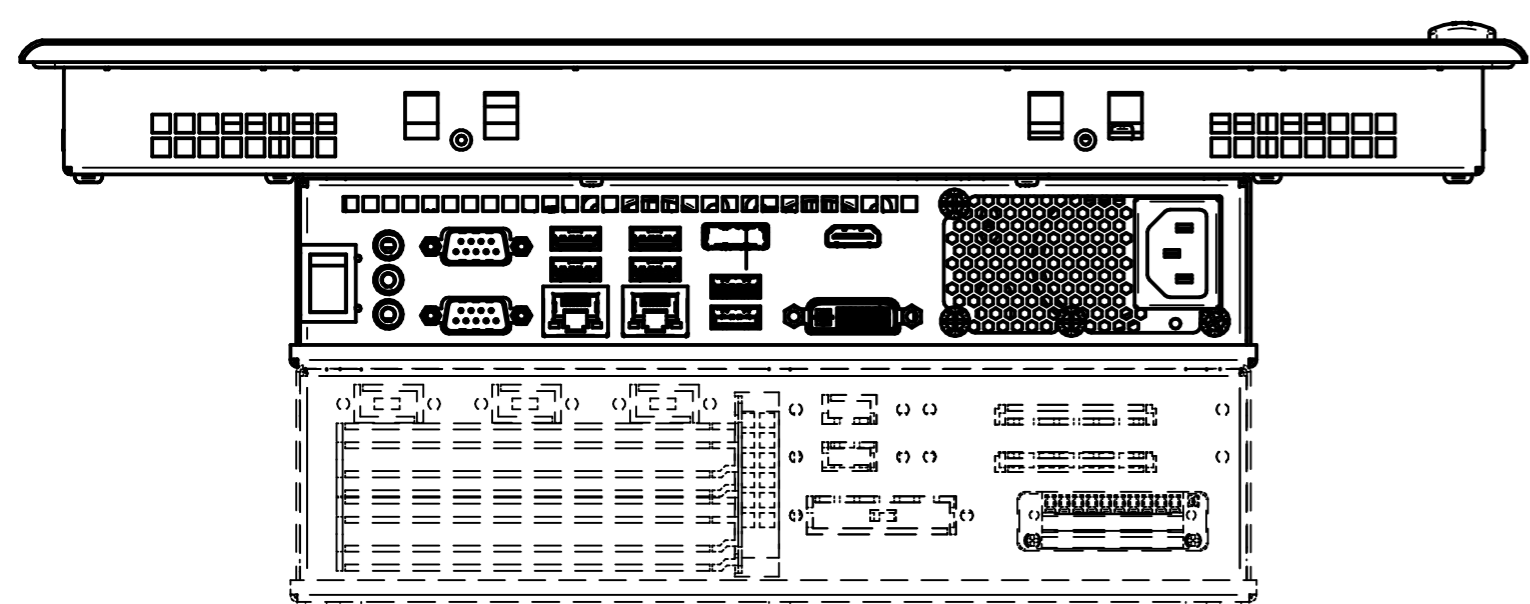
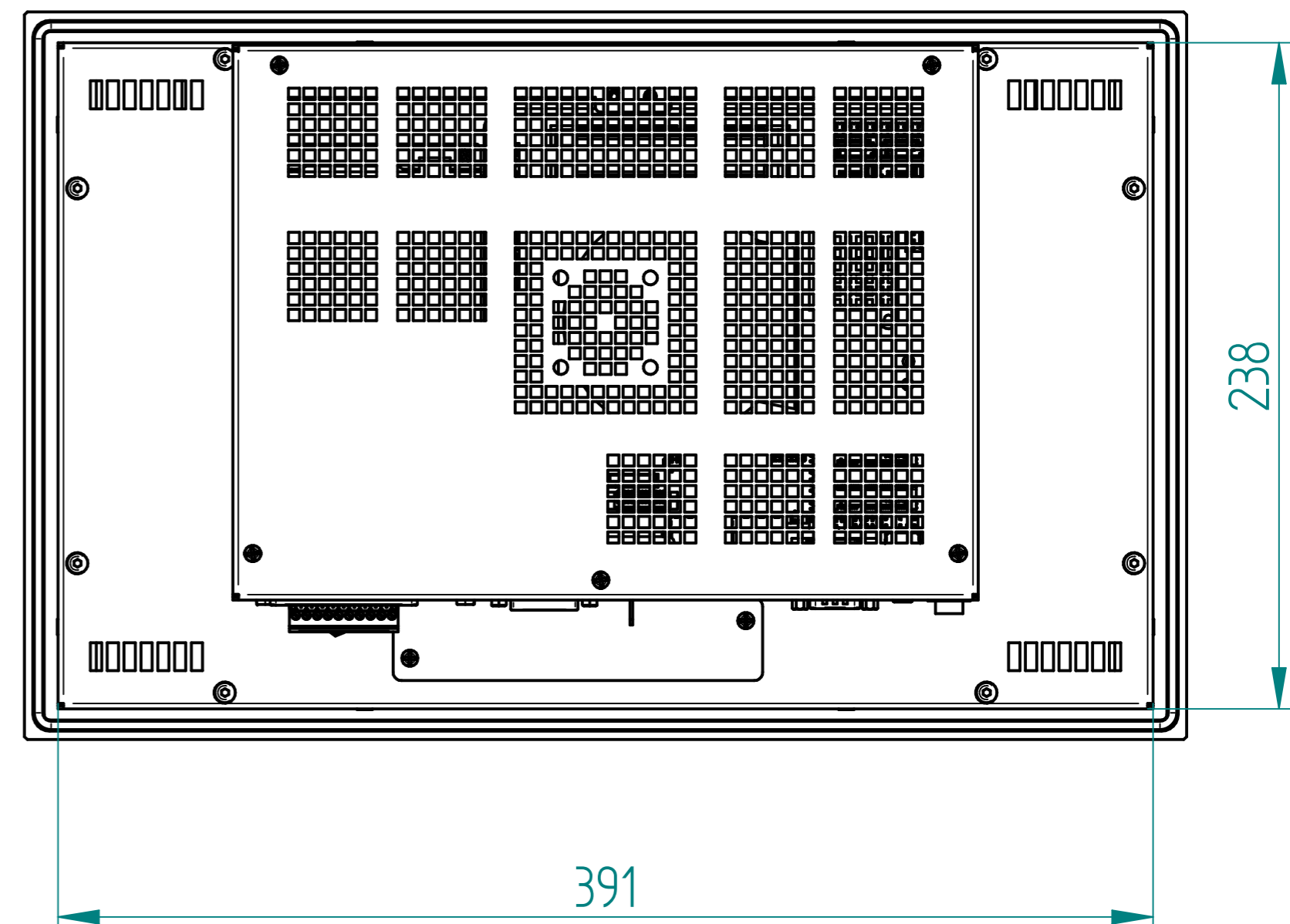
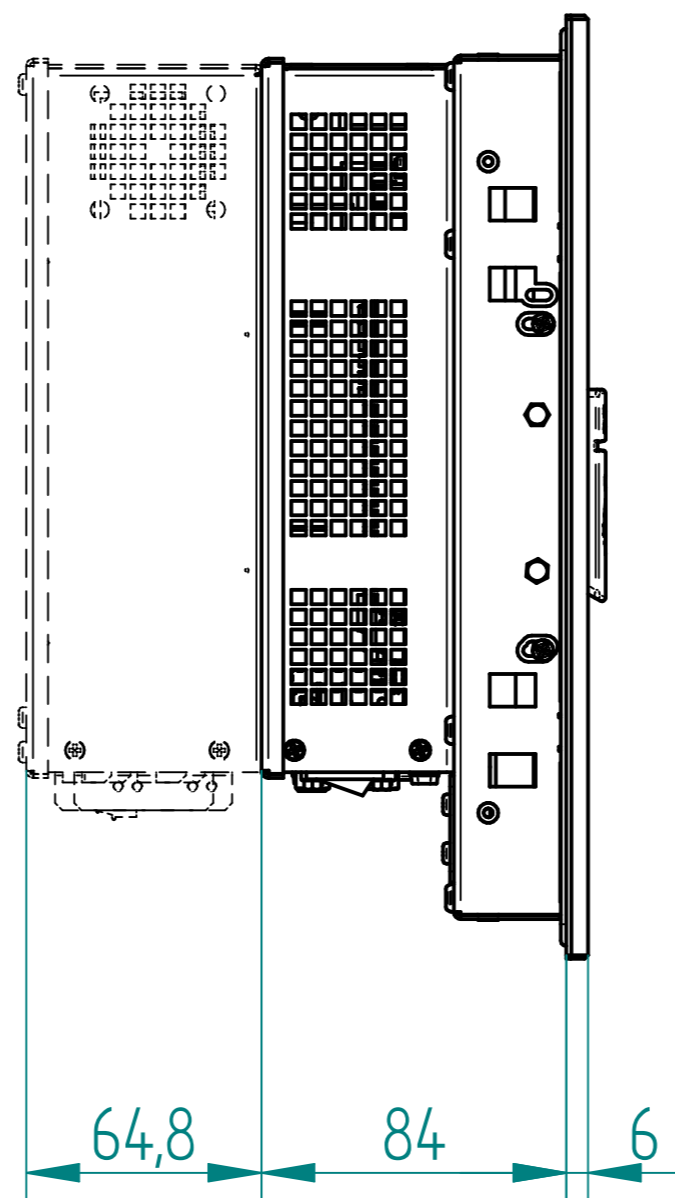
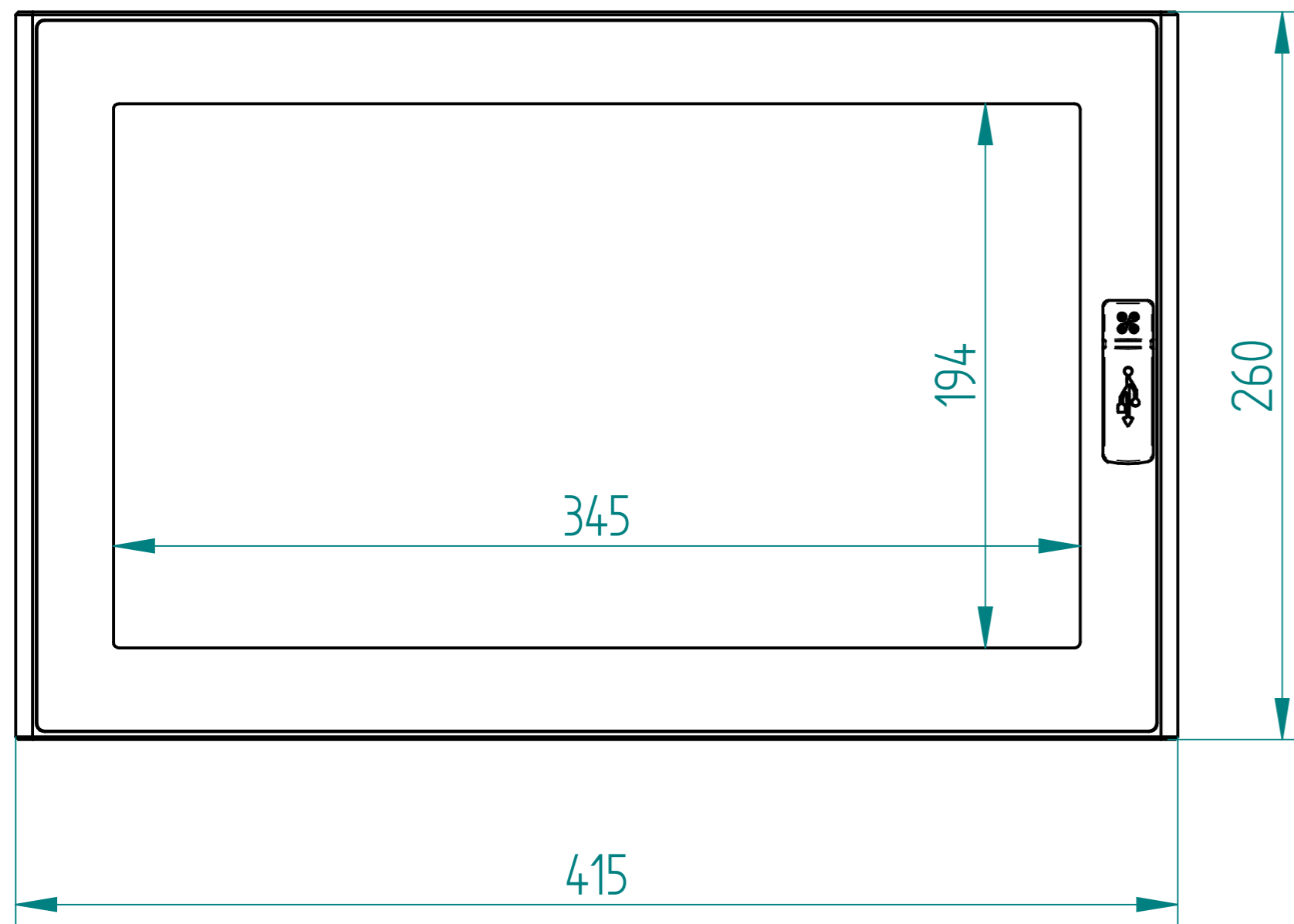


OPEN-FRAME FRONT PANEL VERSION



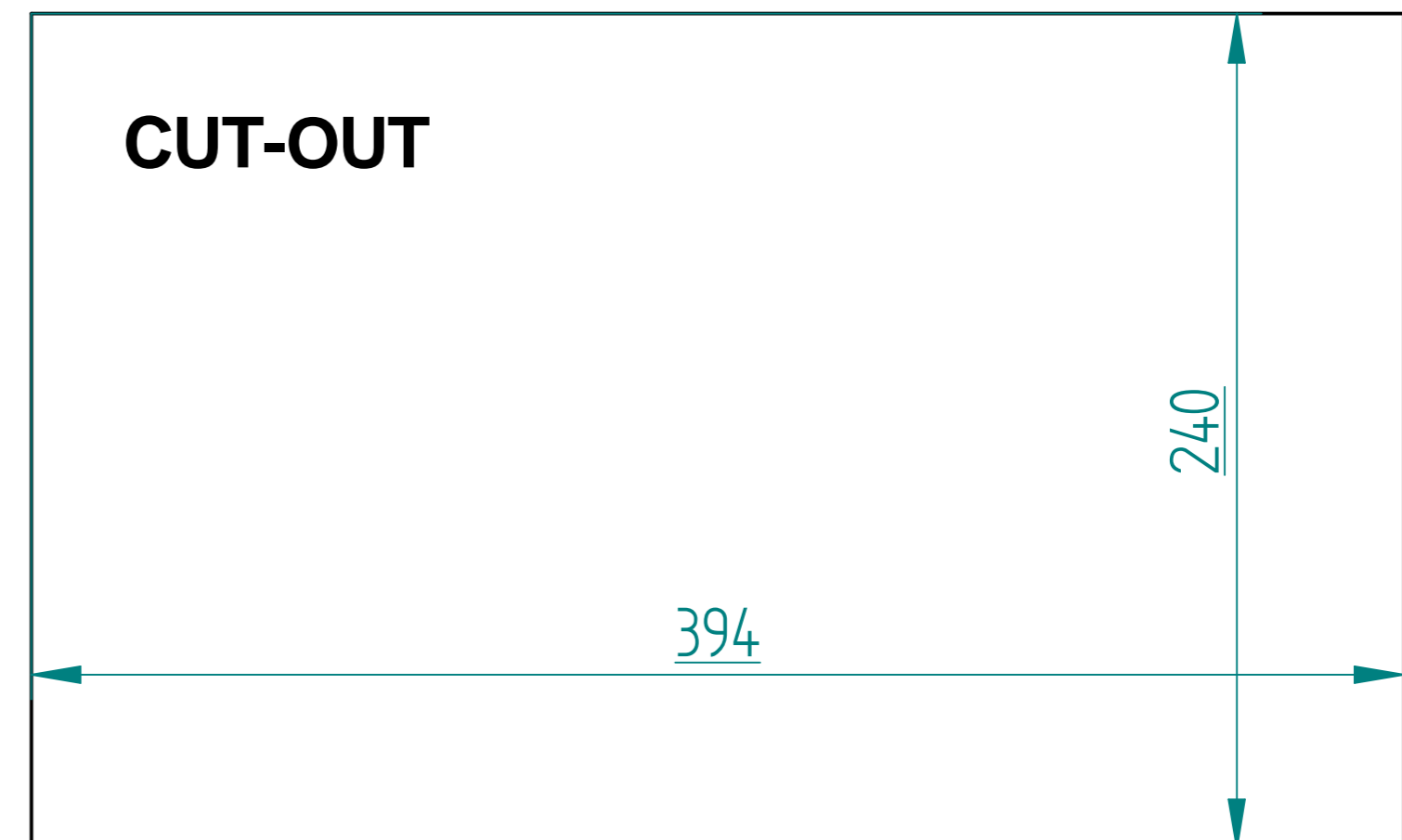
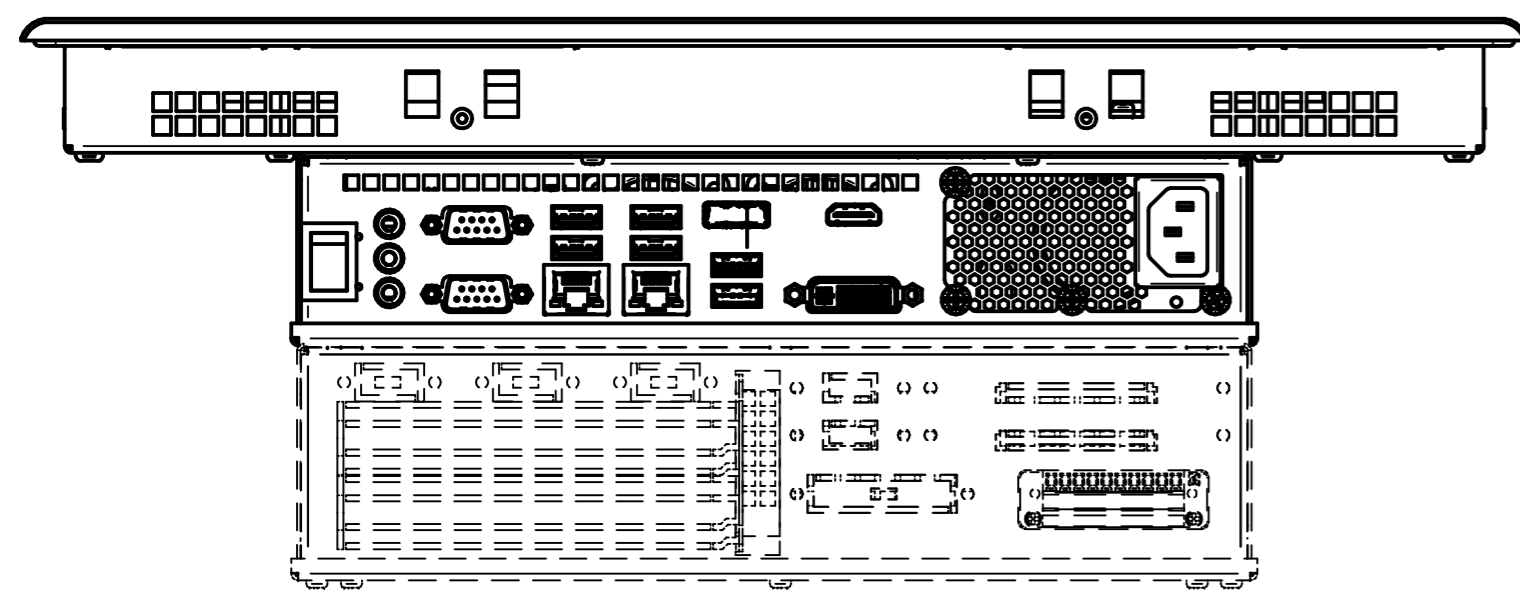
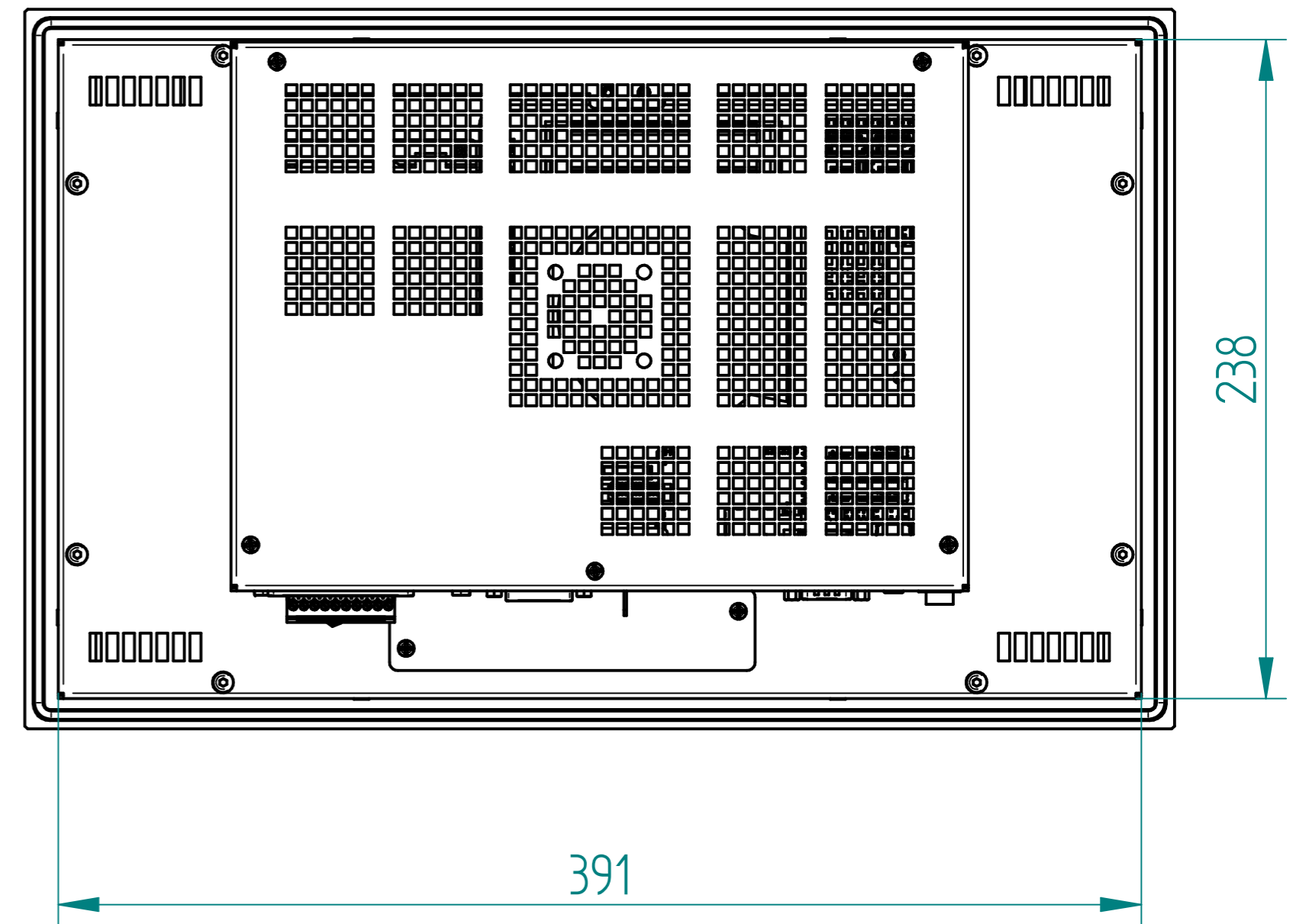
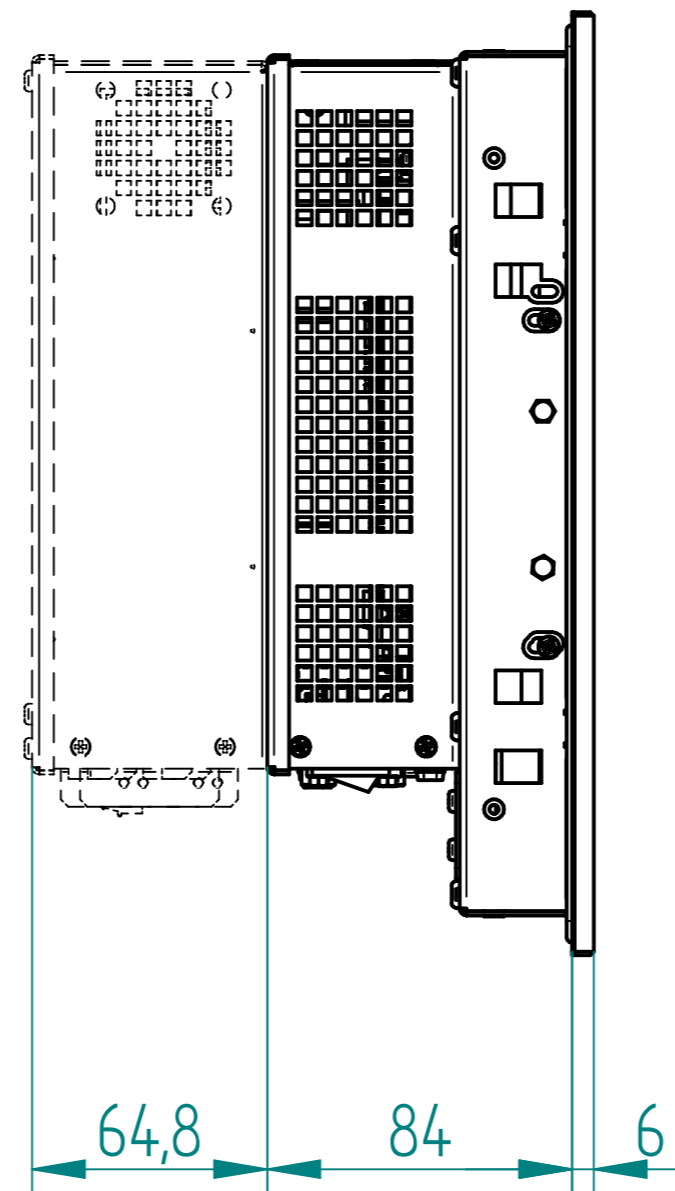
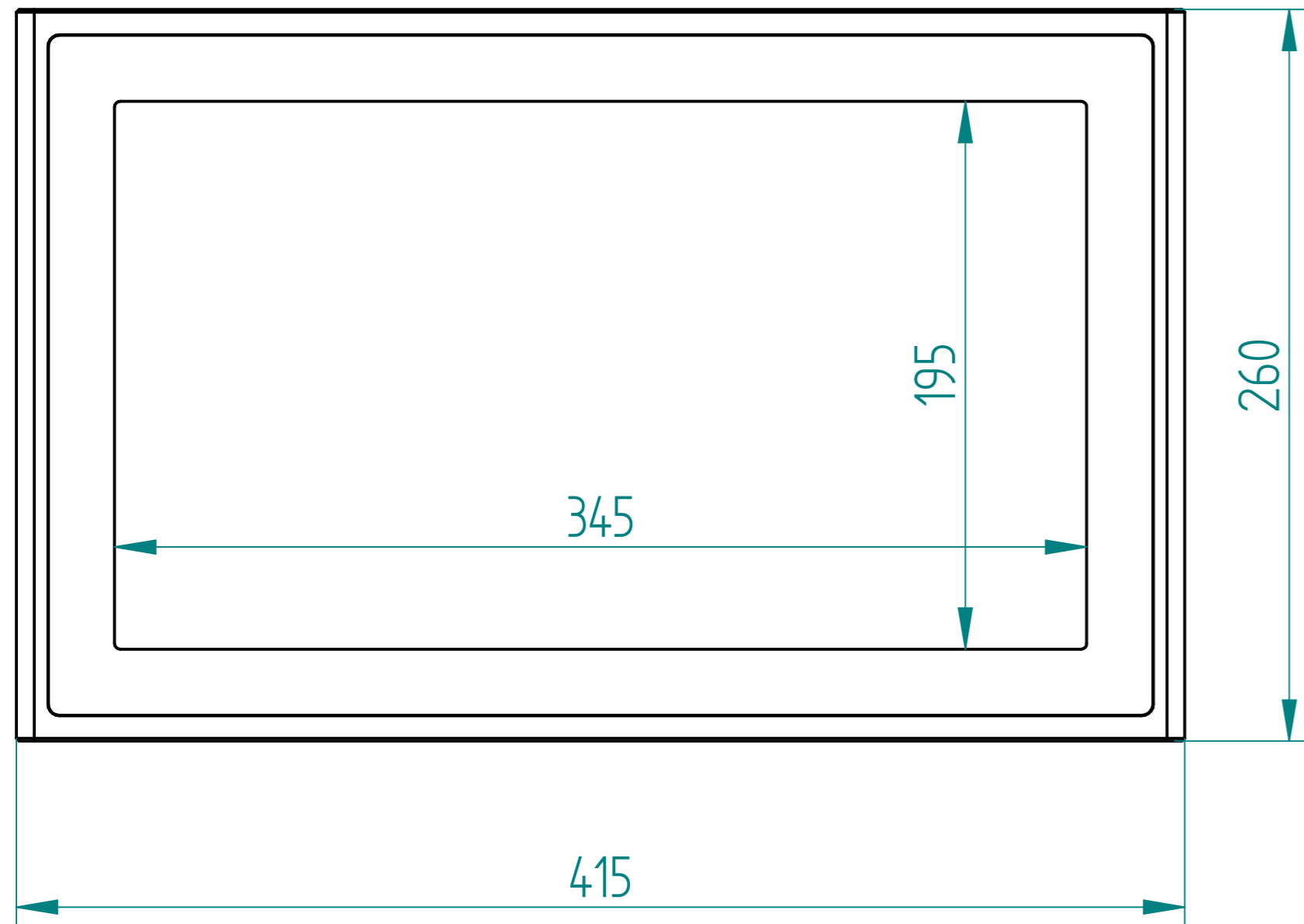
METAL CASE VERSION

Specifications are subject to change without notice.

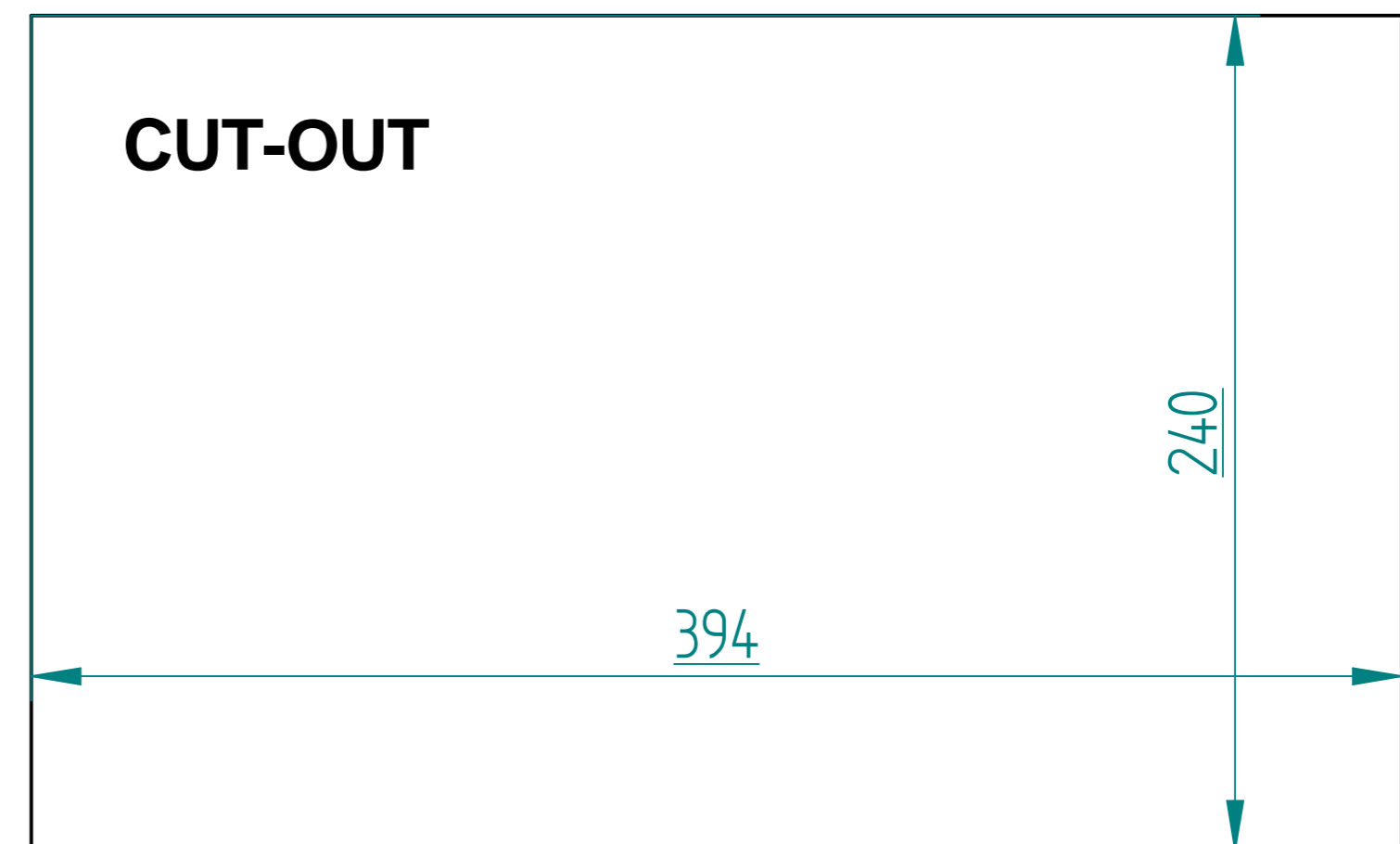
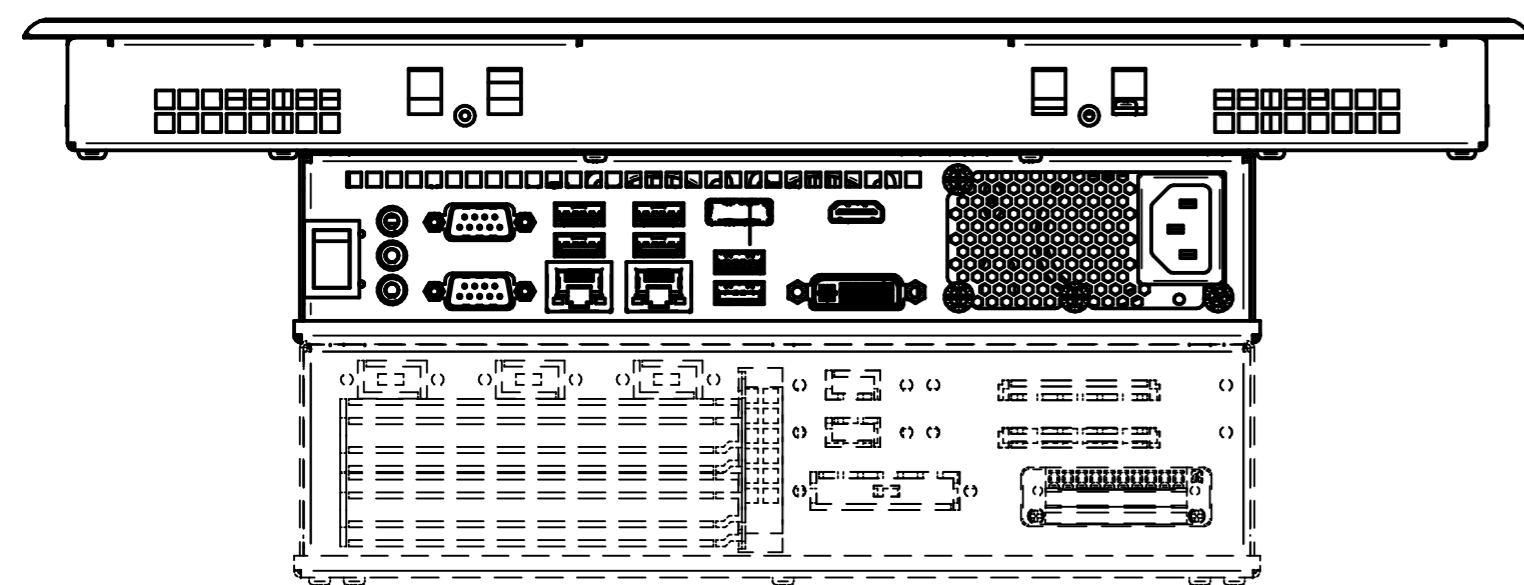
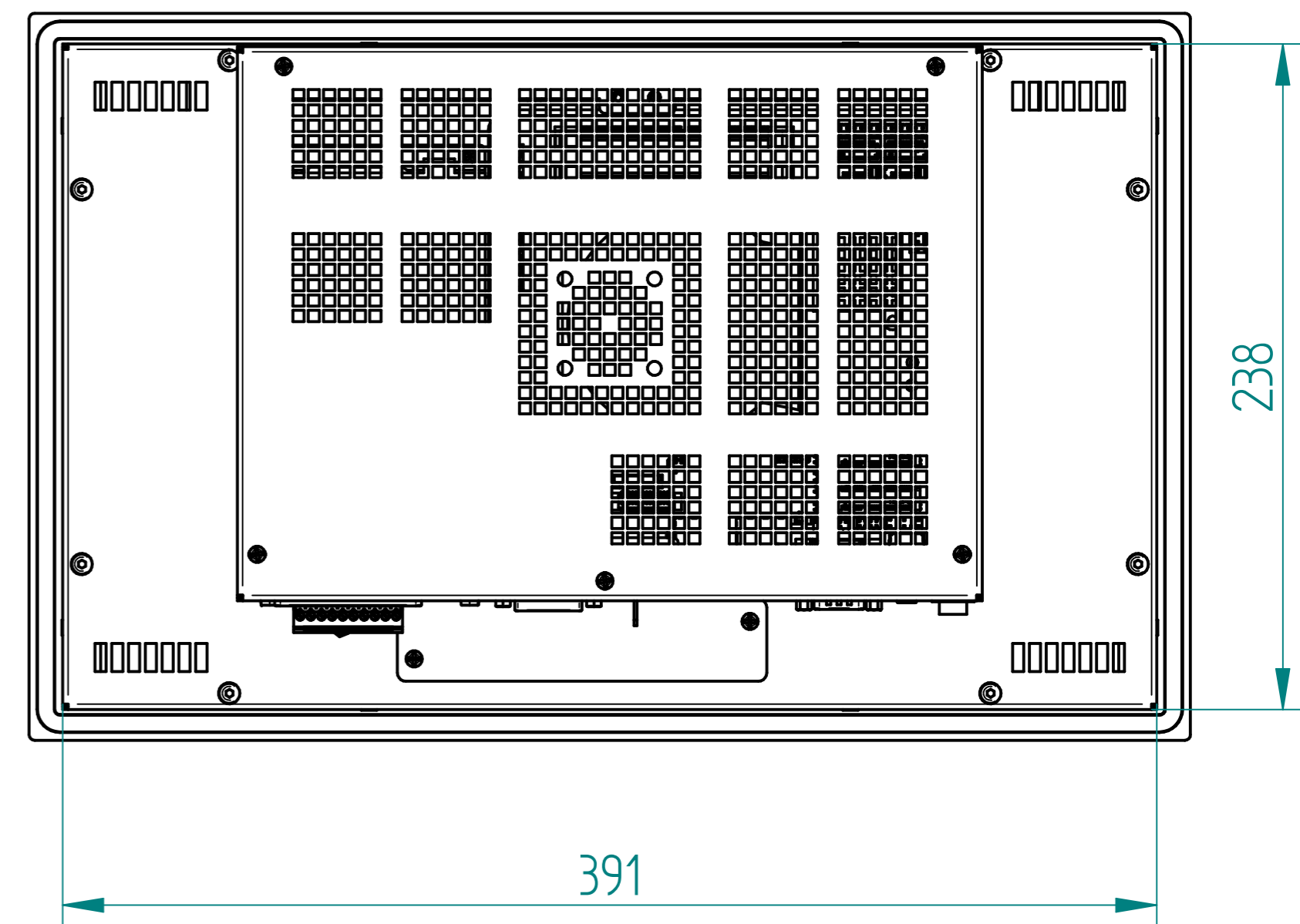
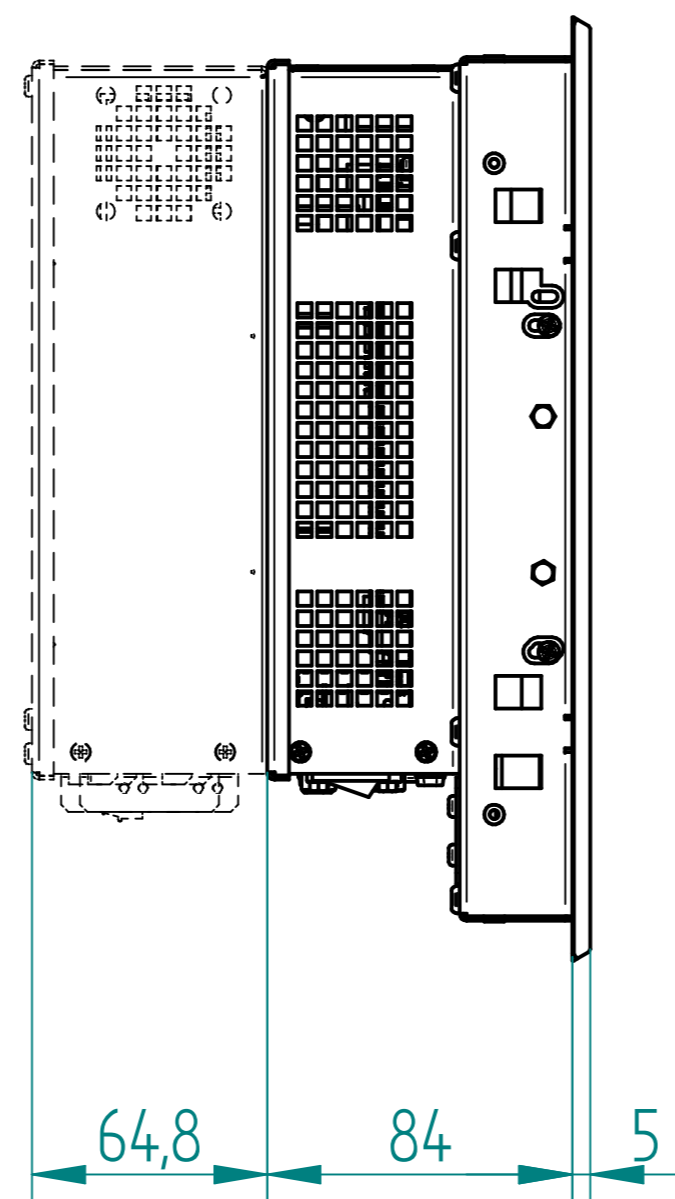
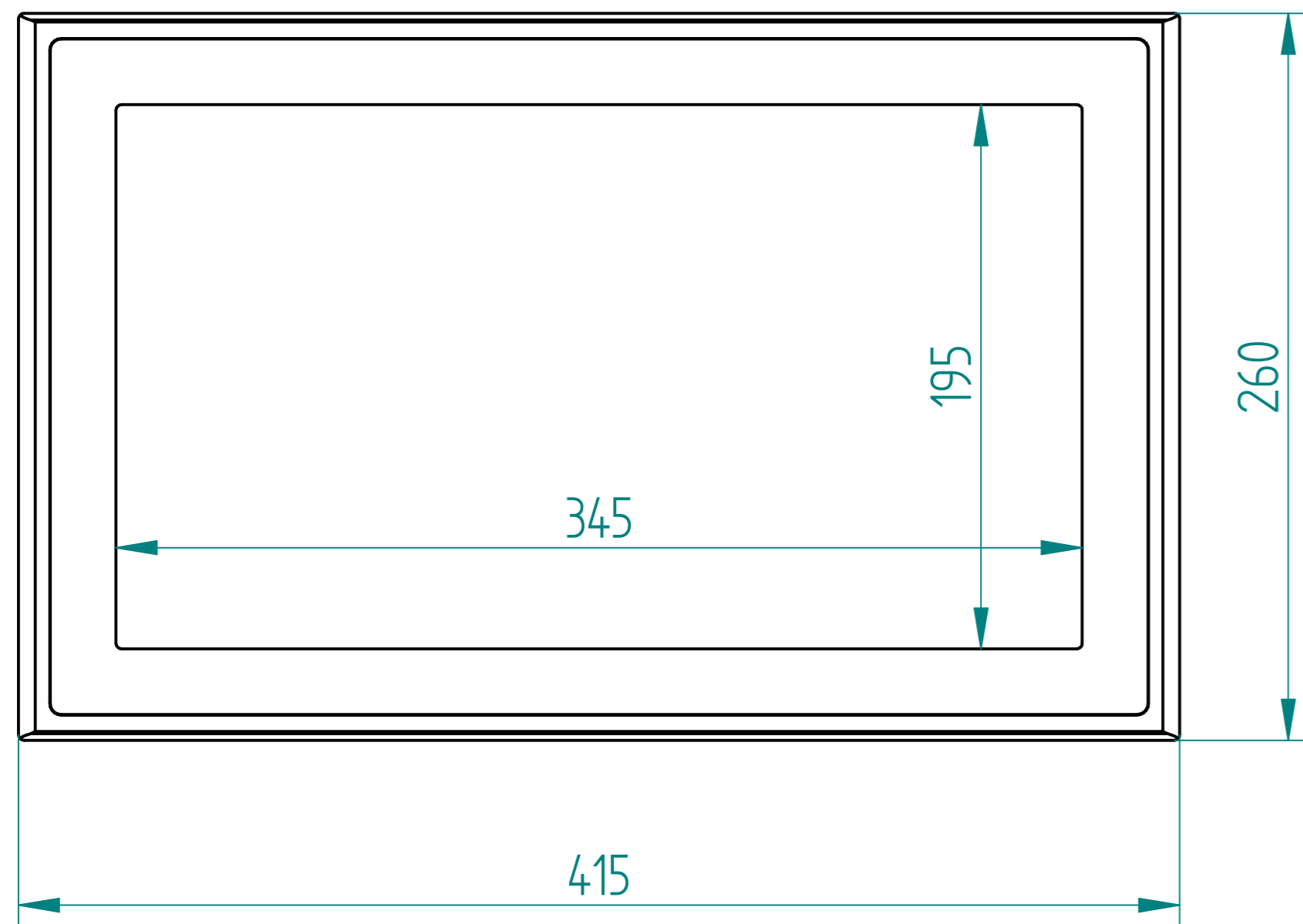


STANDARD FRONT PANEL VERSION

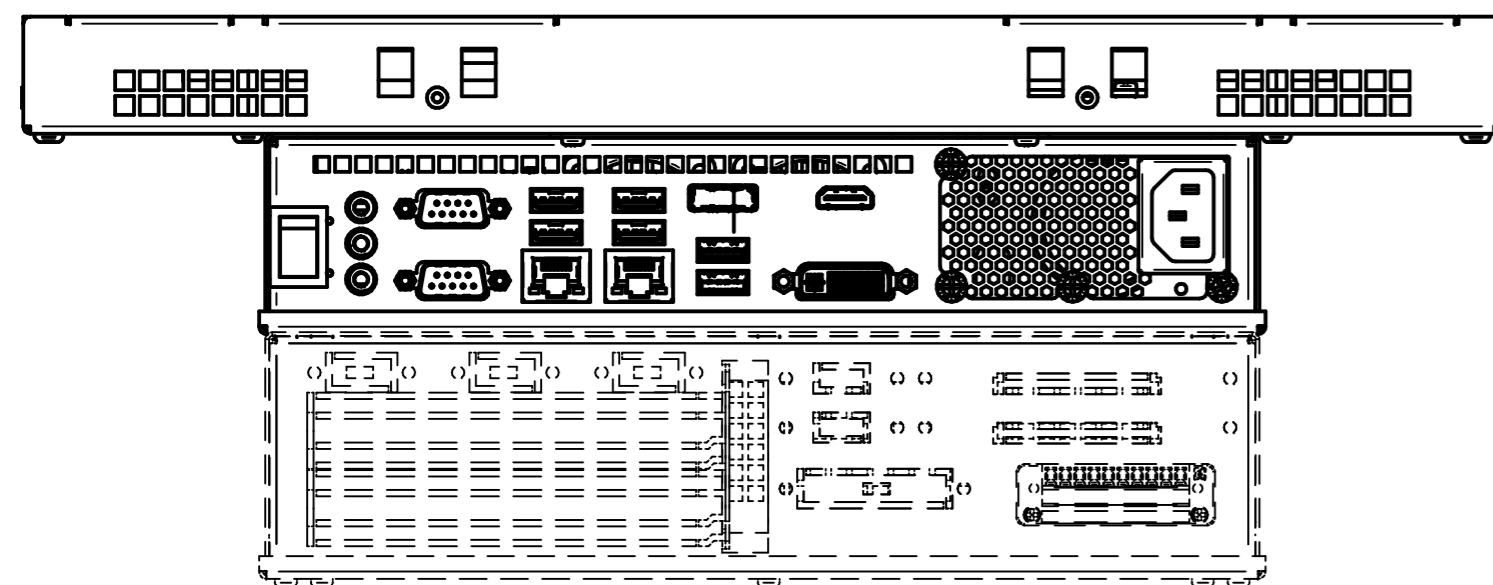
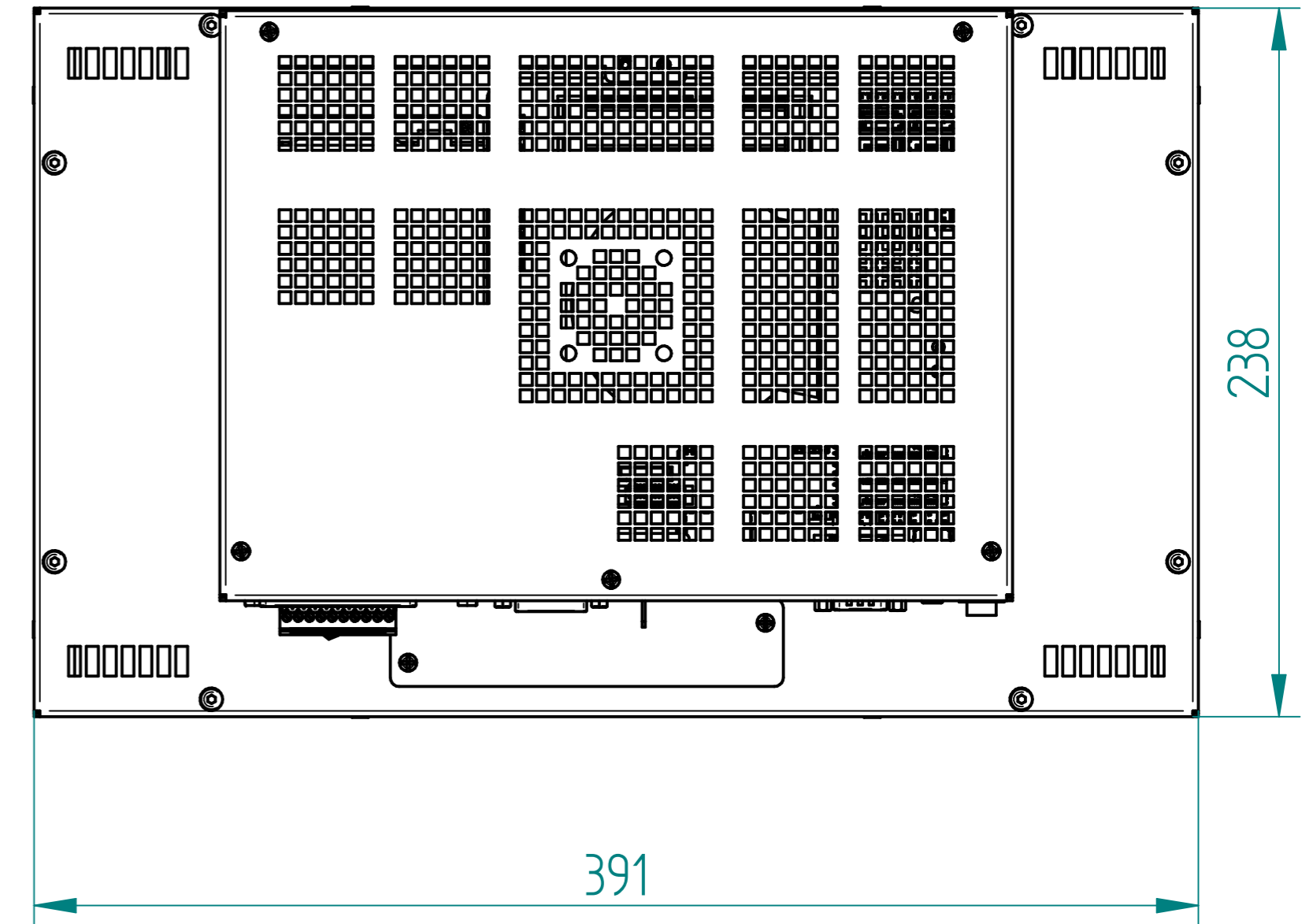
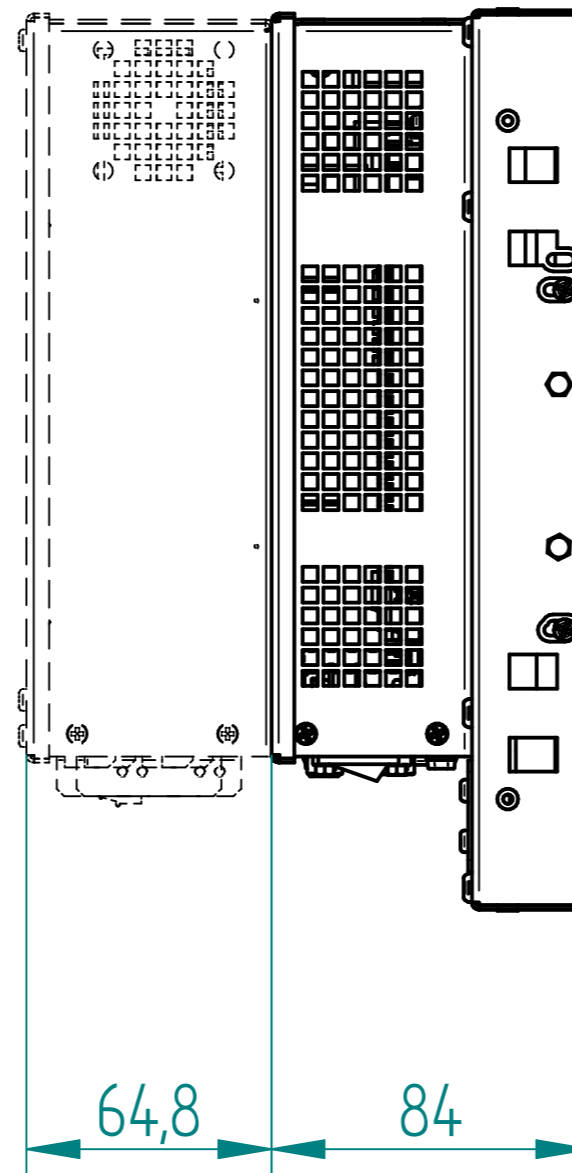
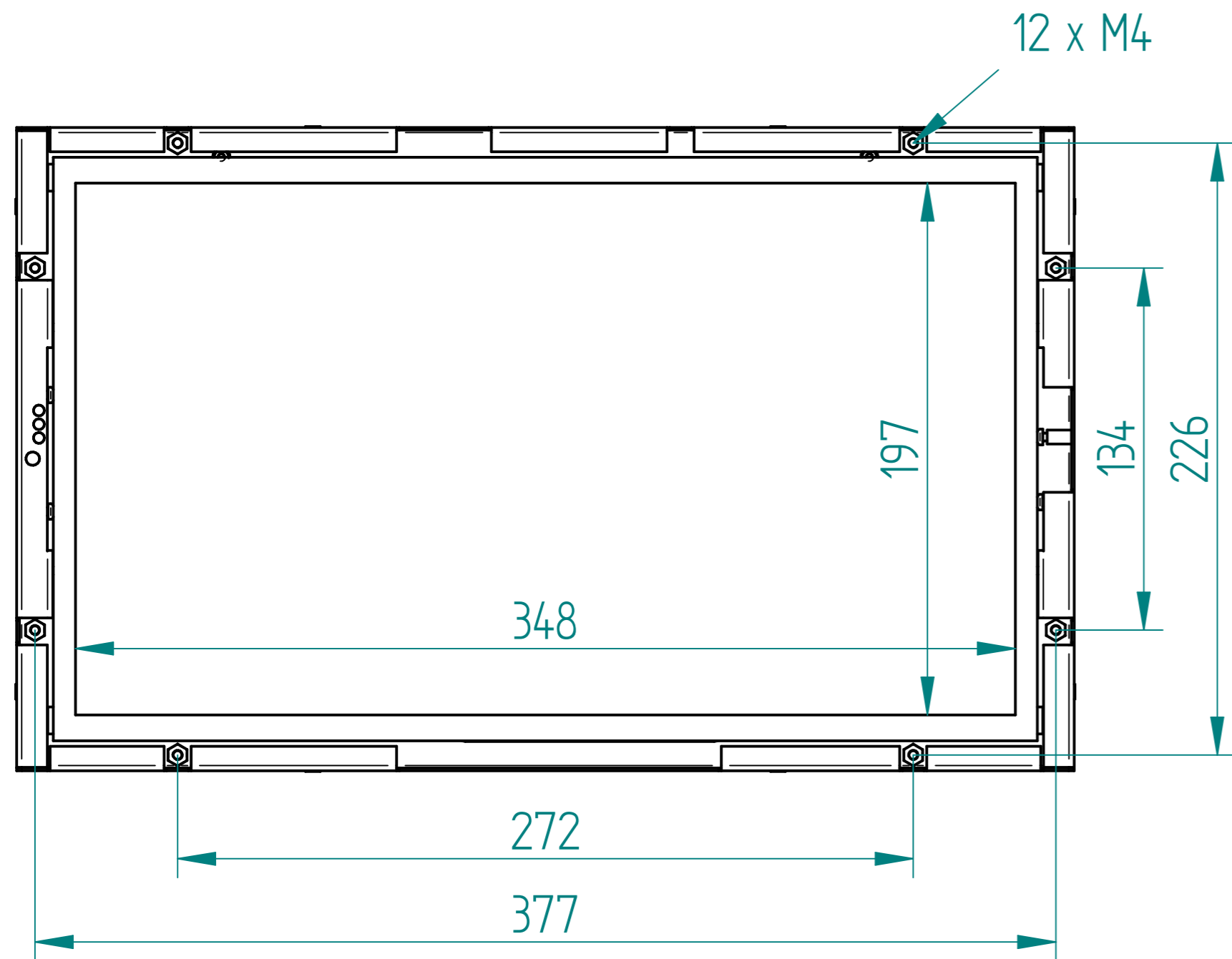
Specifications are subject to change without notice.



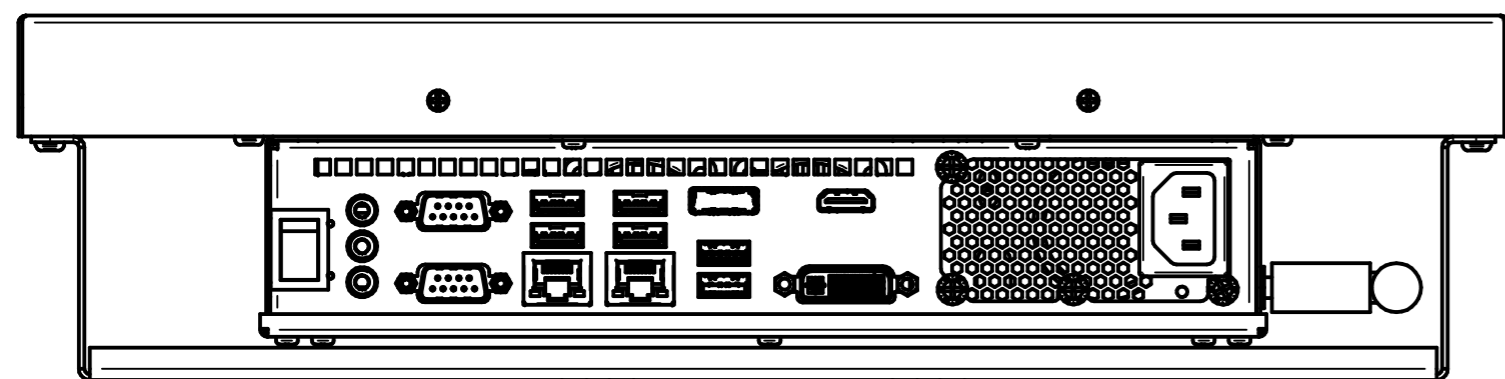
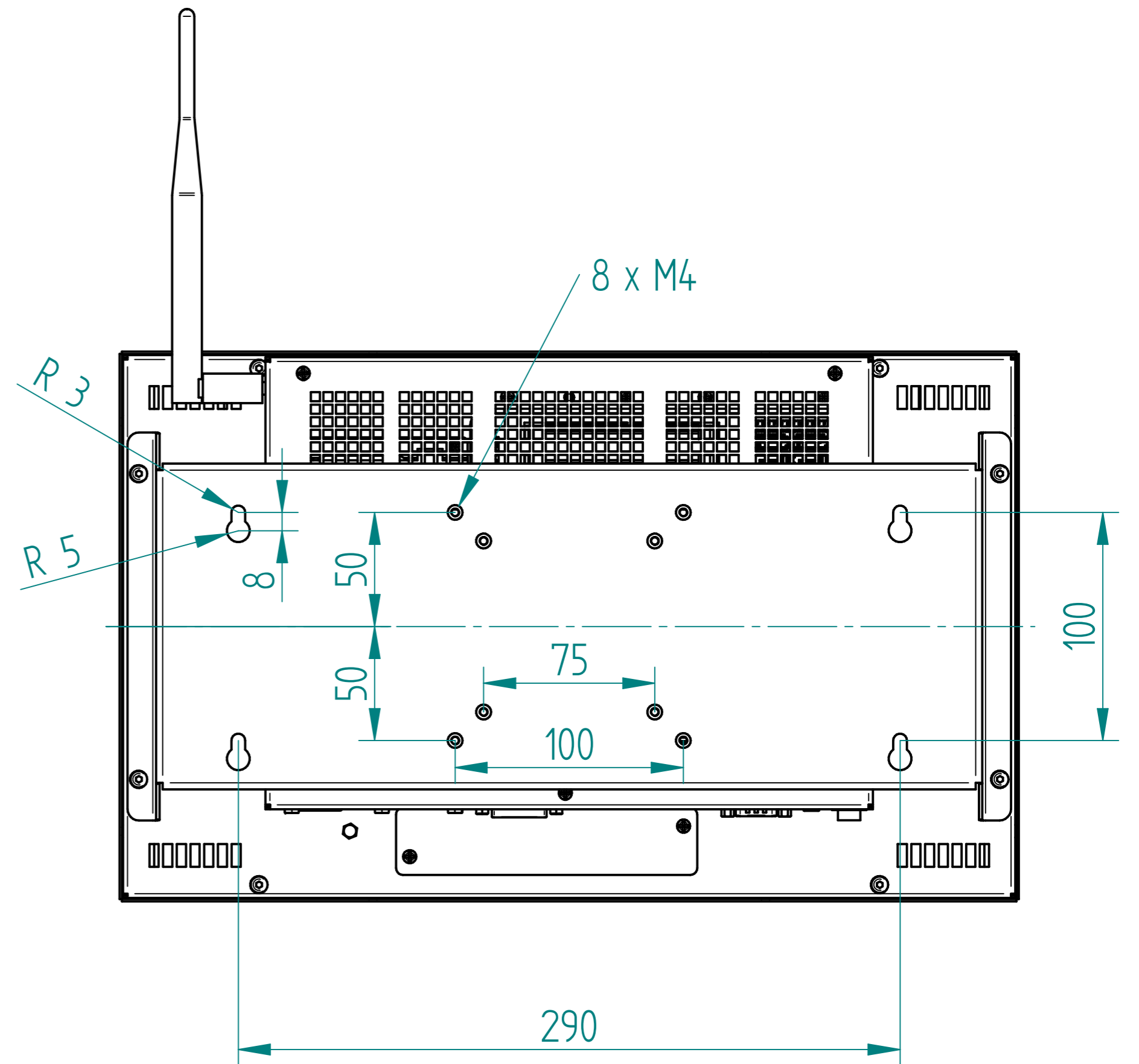
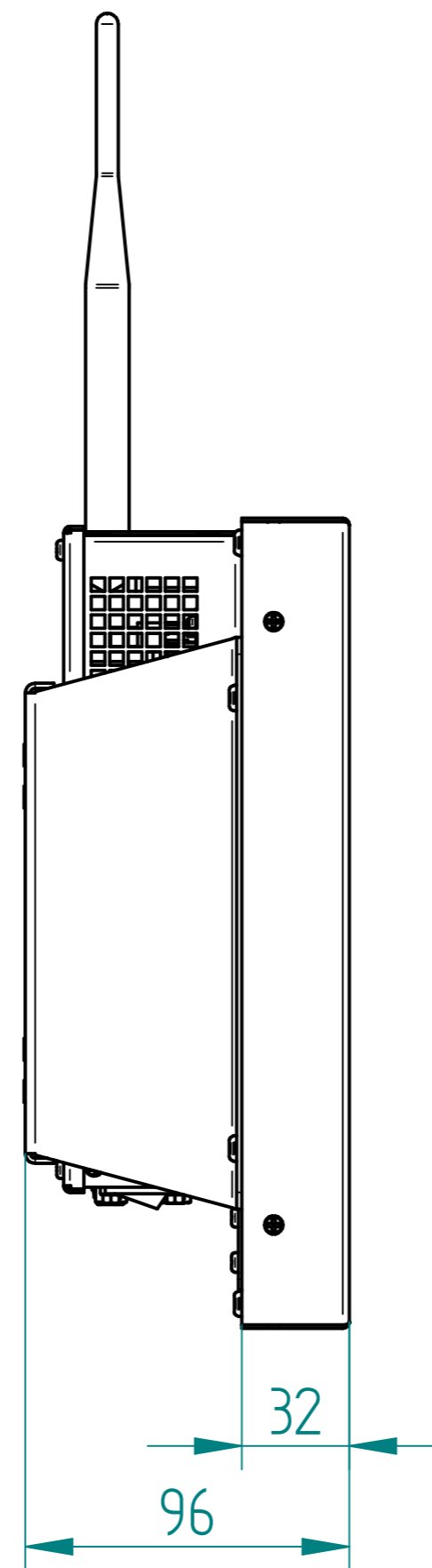
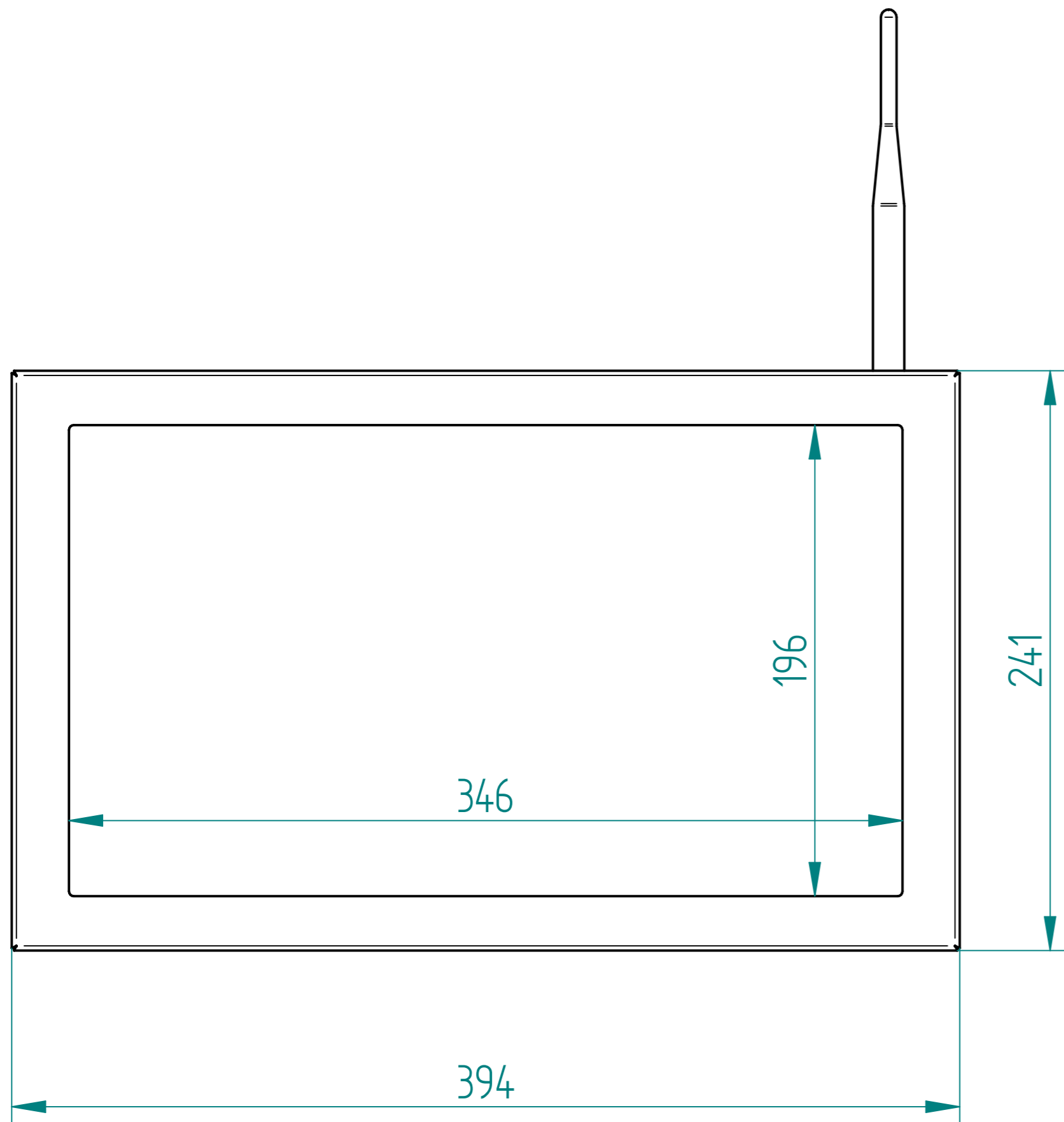
PCT-RTF FRONT PANEL VERSION



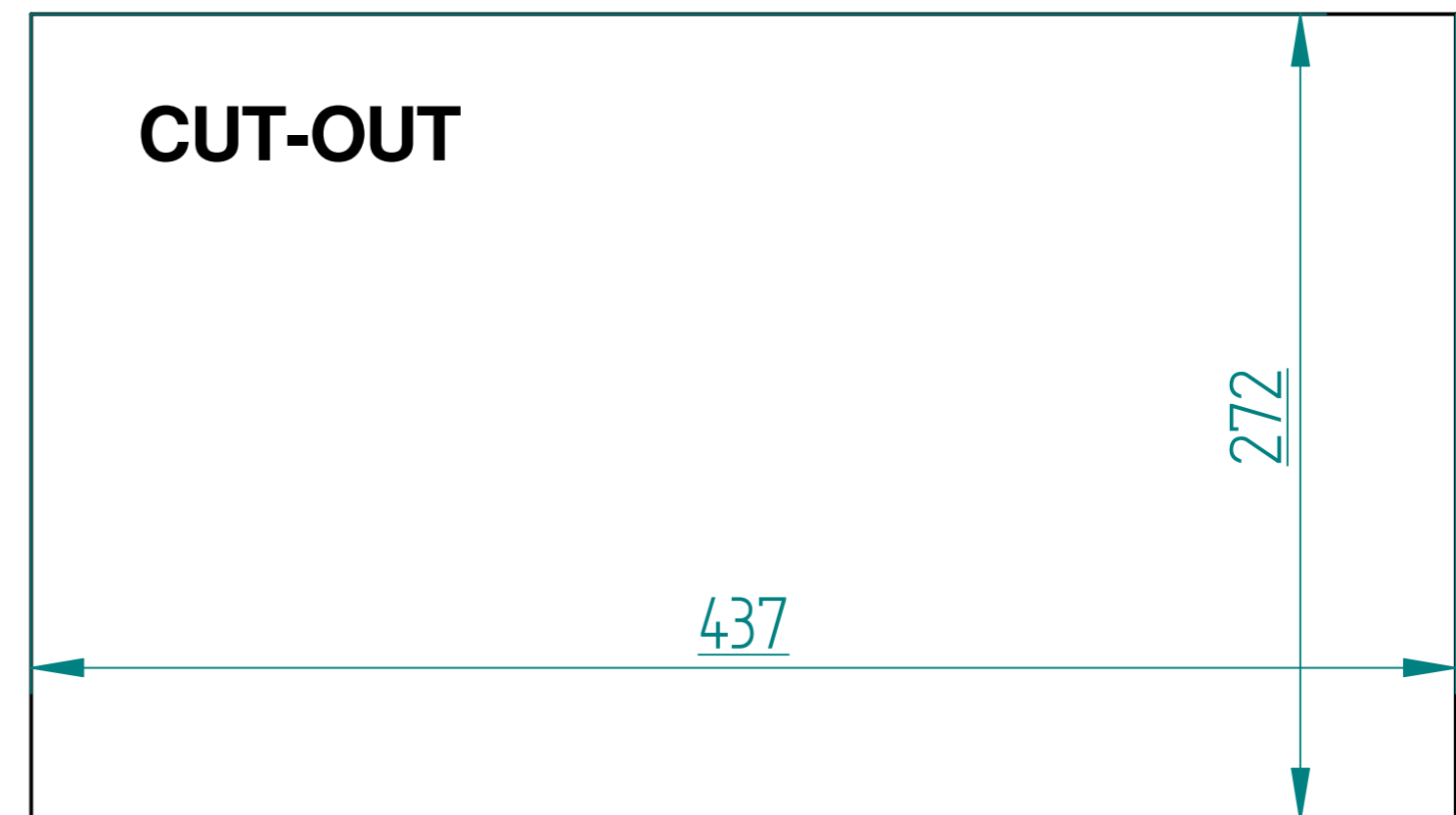
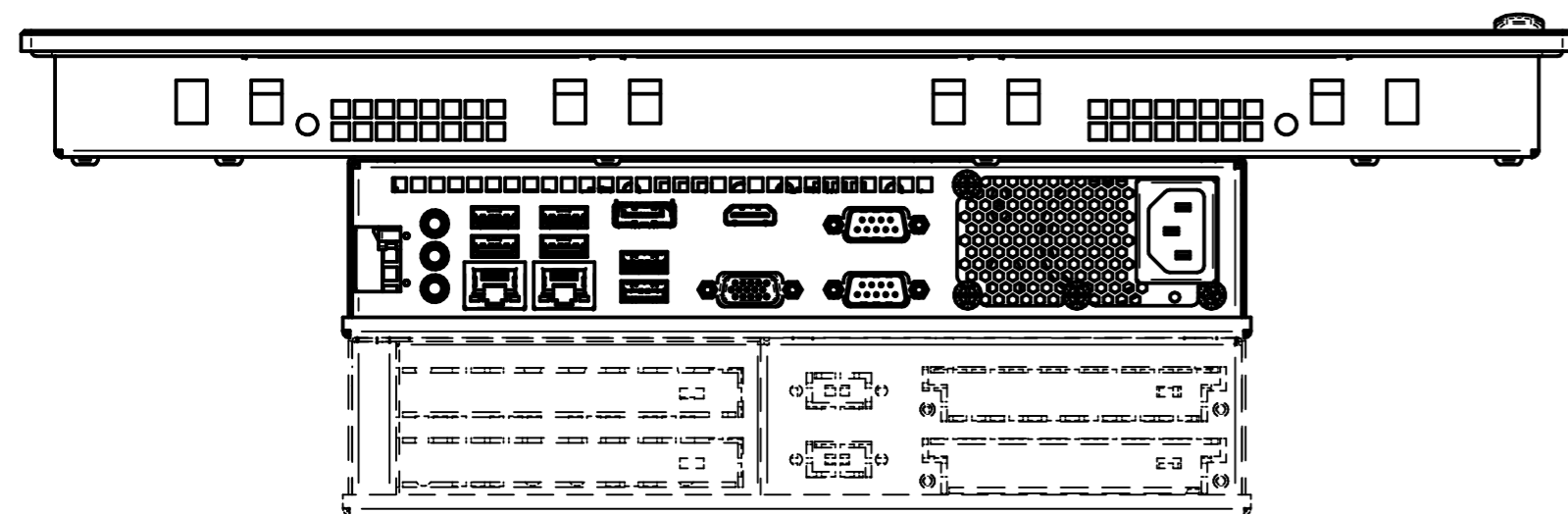
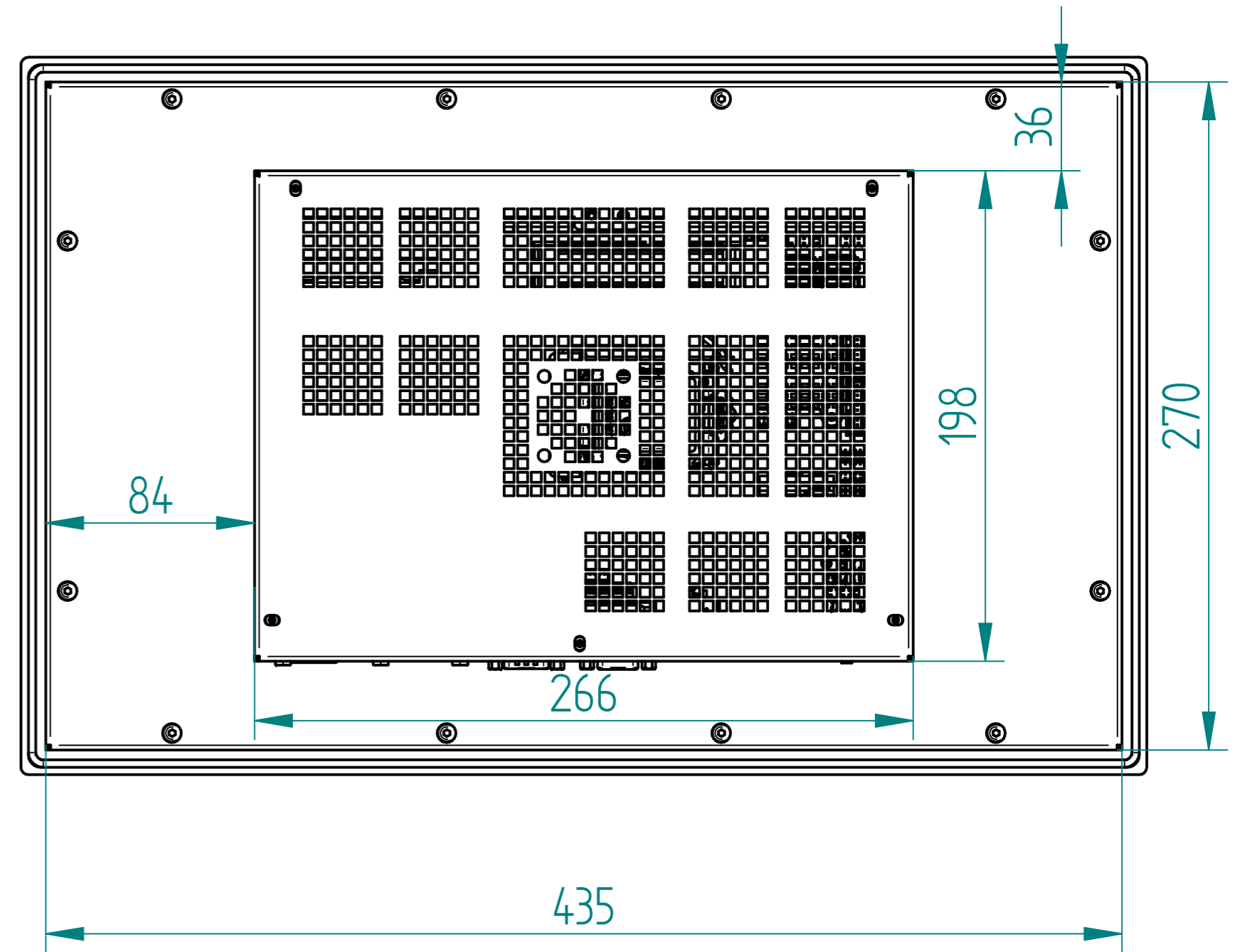
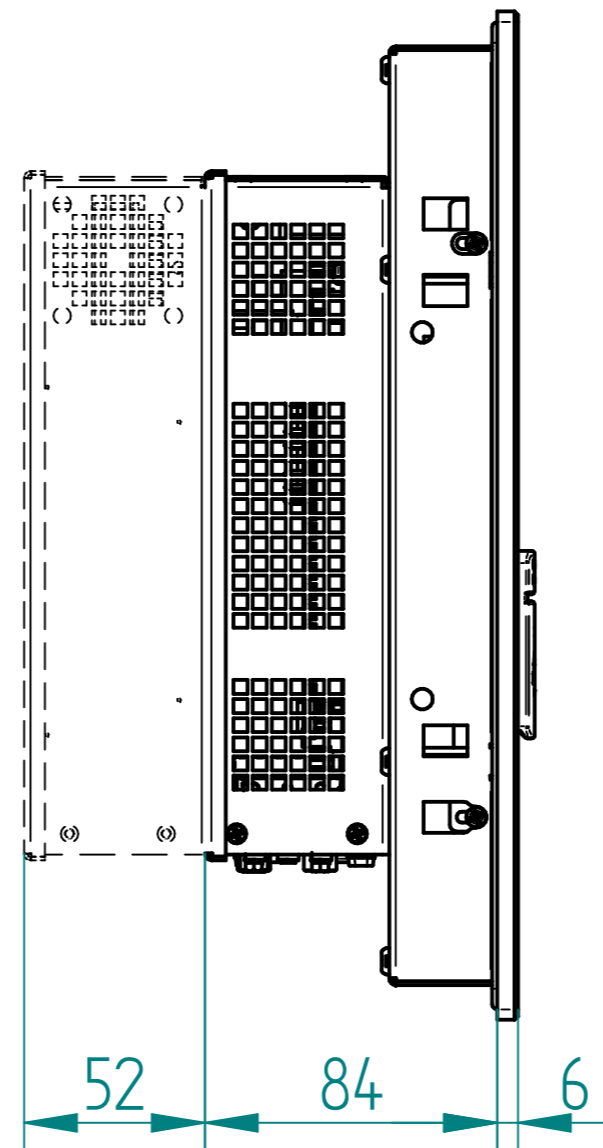
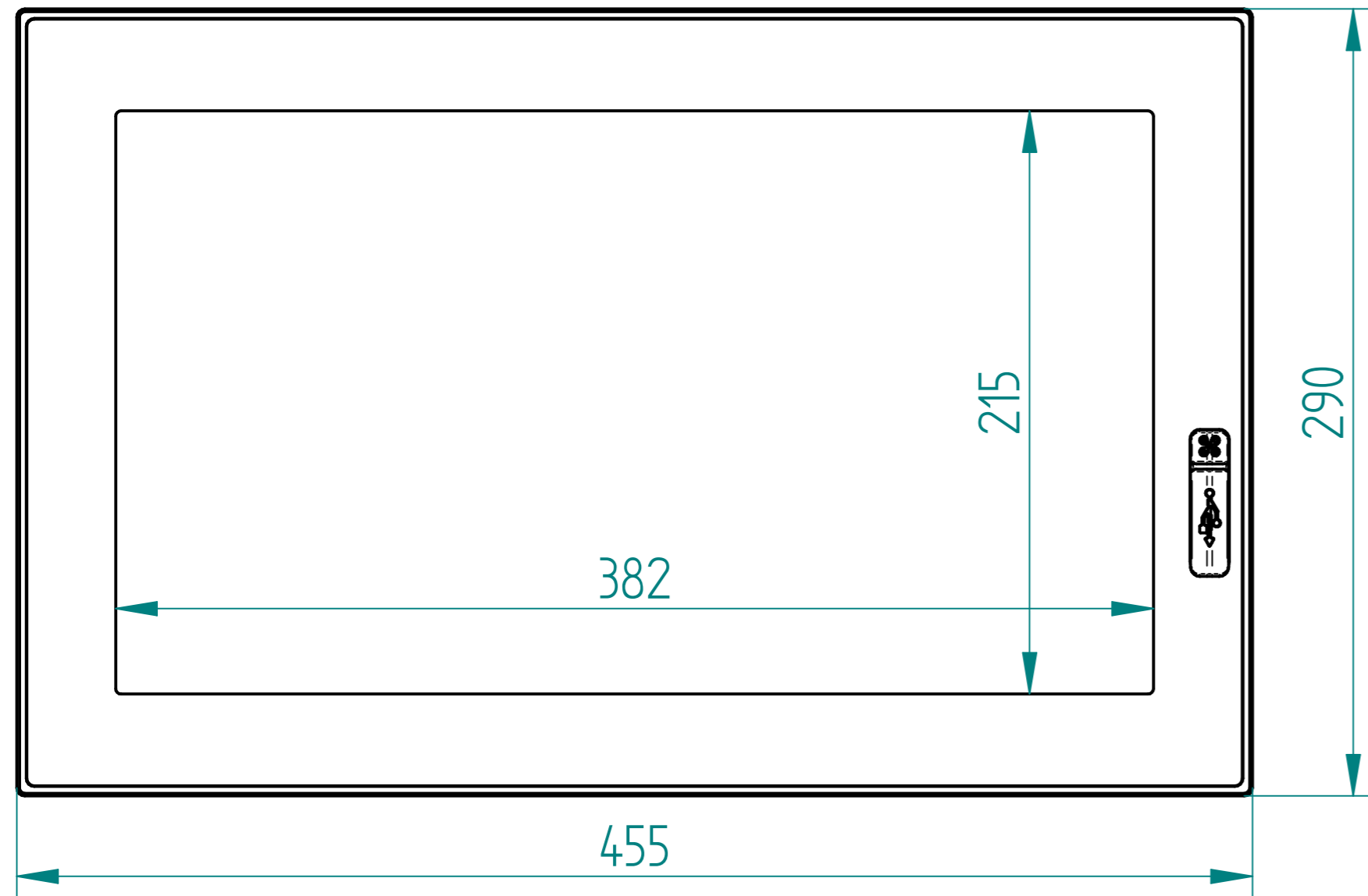
PCTX-RTFX FRONT PANEL VERSION



OPEN-FRAME FRONT PANEL VERSION

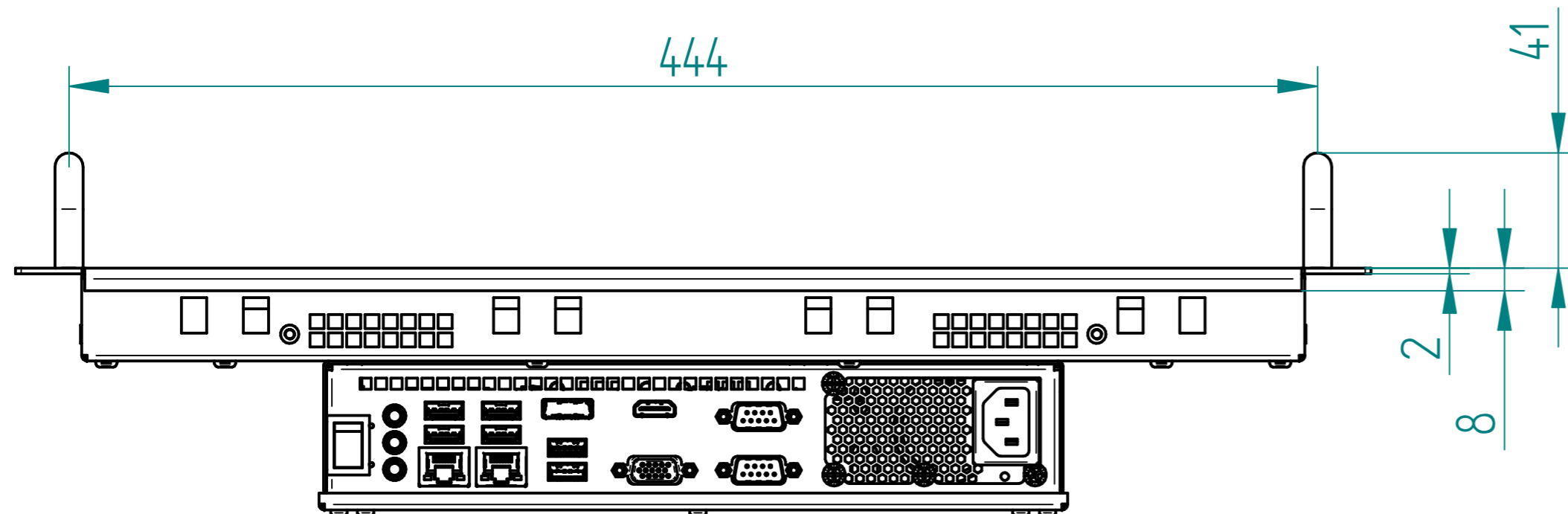
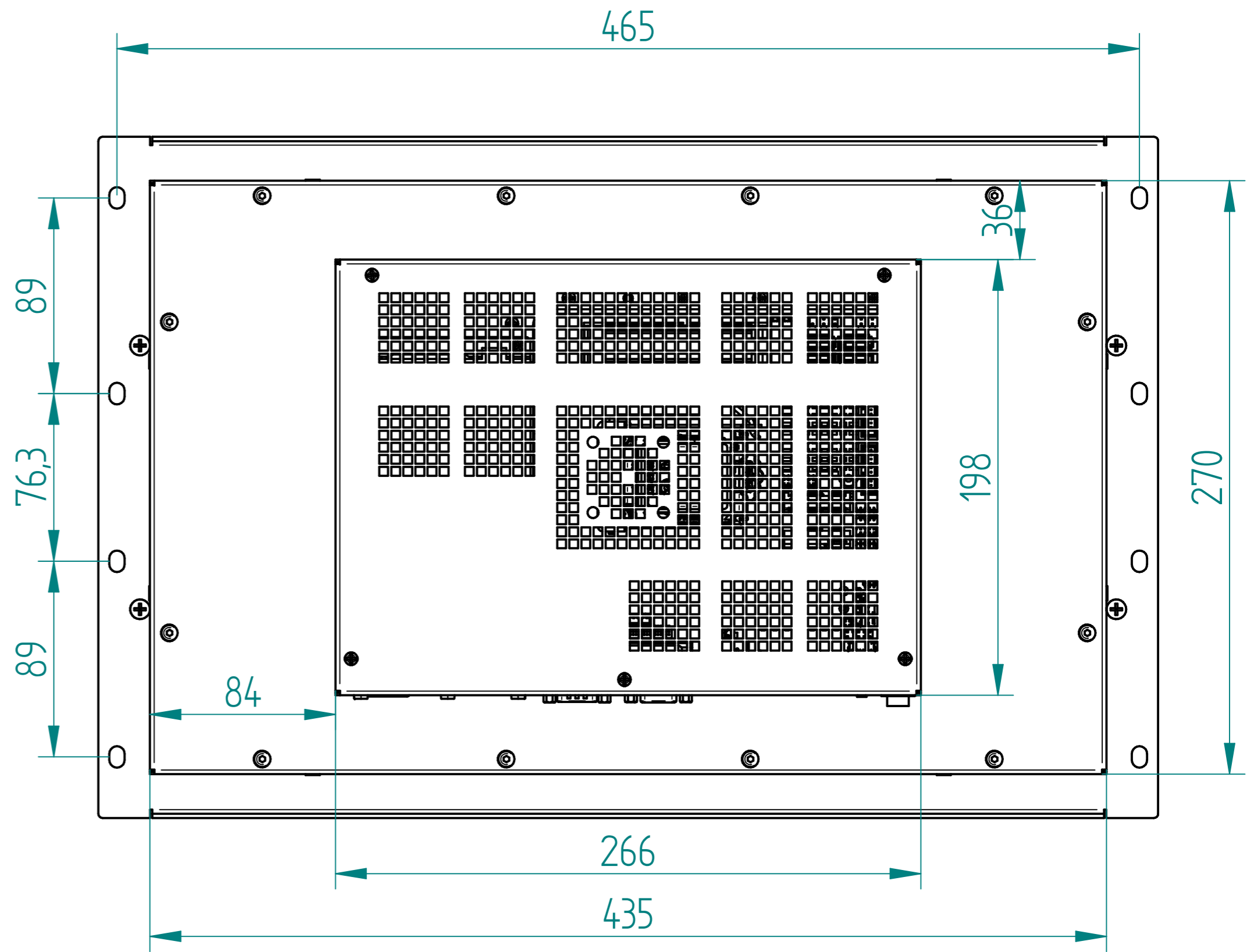
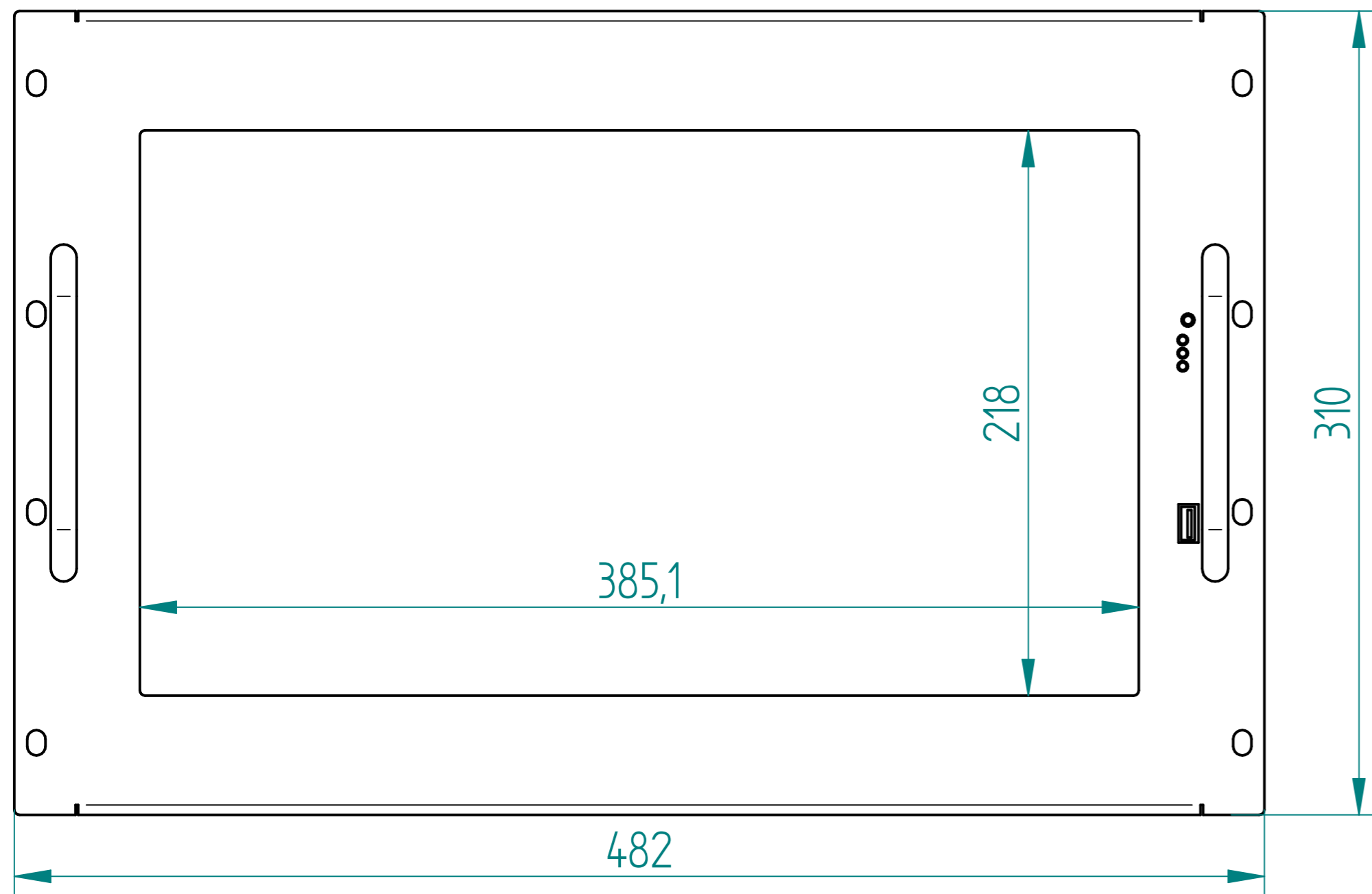


METAL CASE VERSION

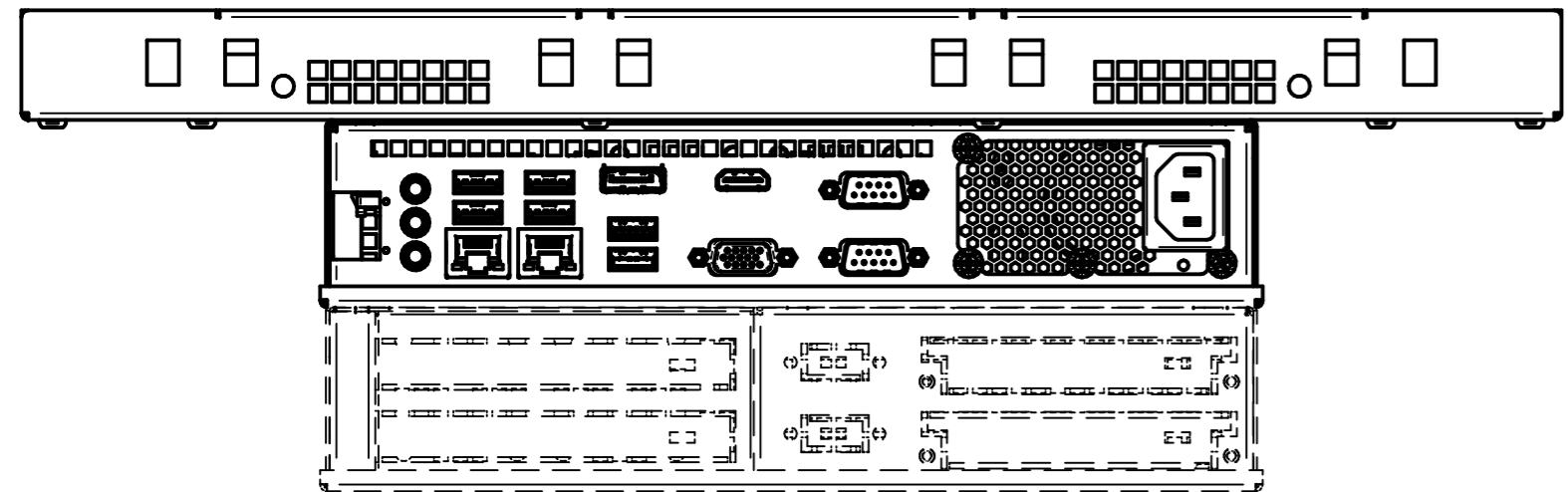
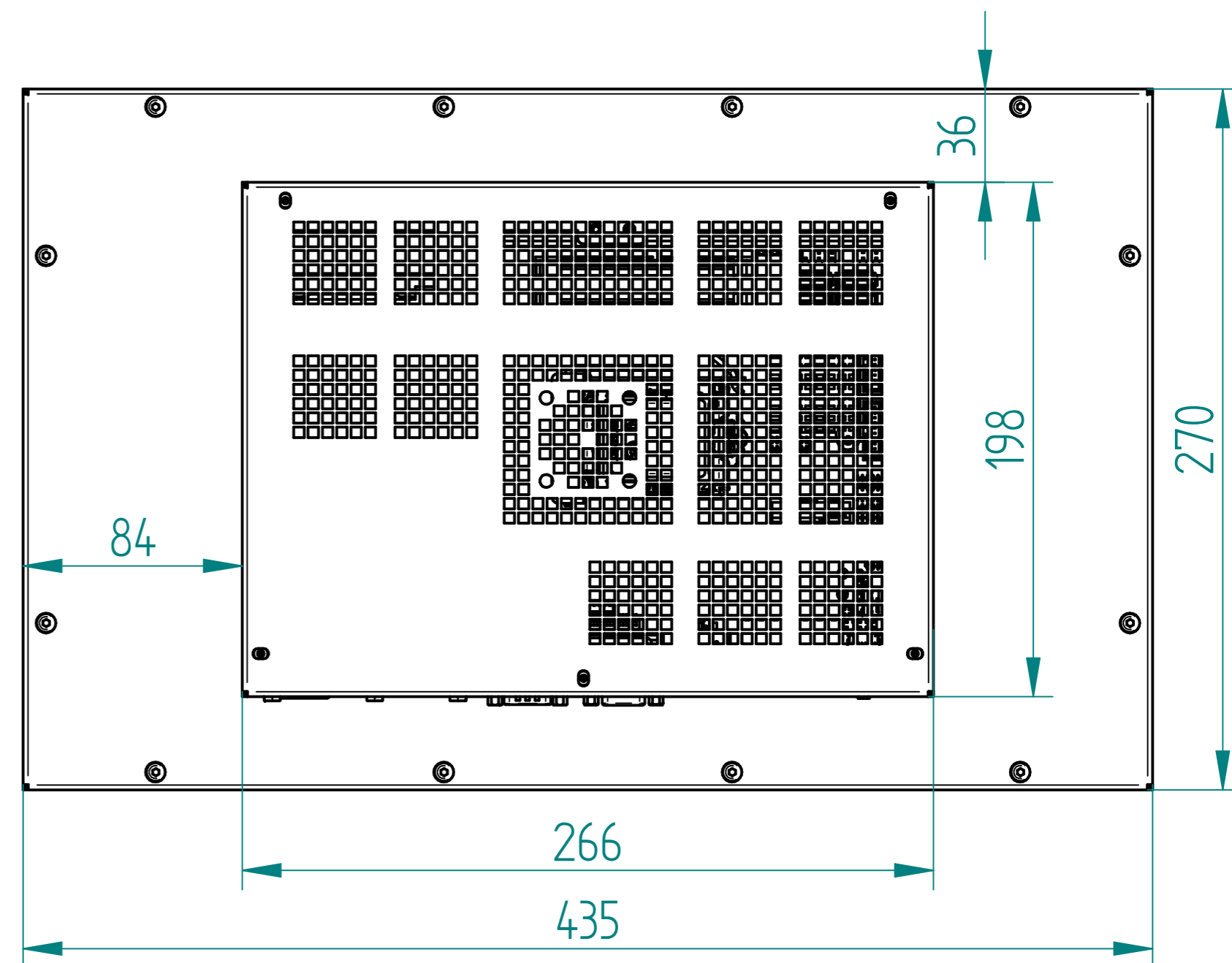
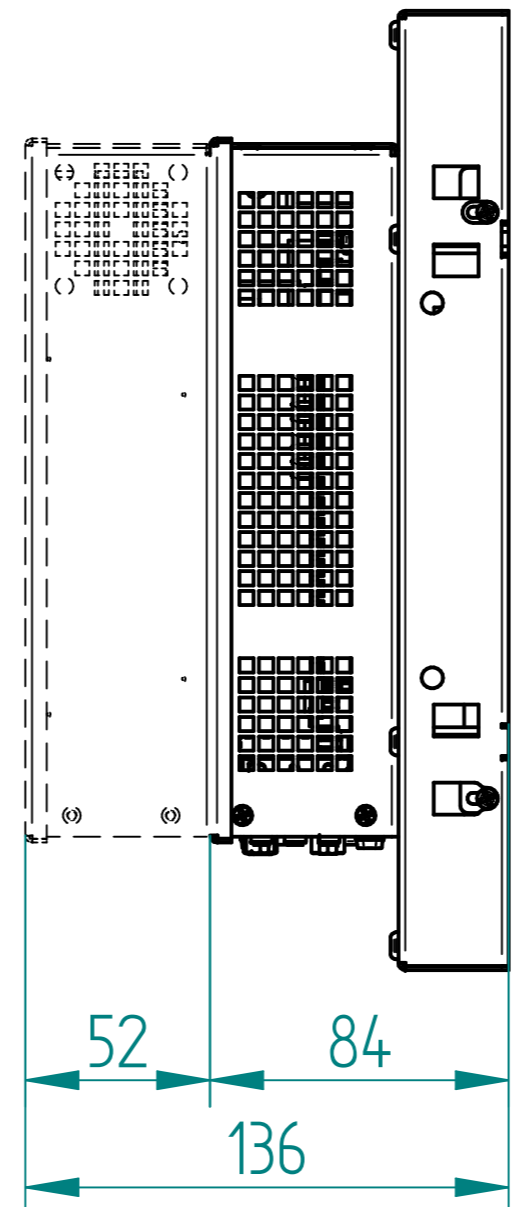
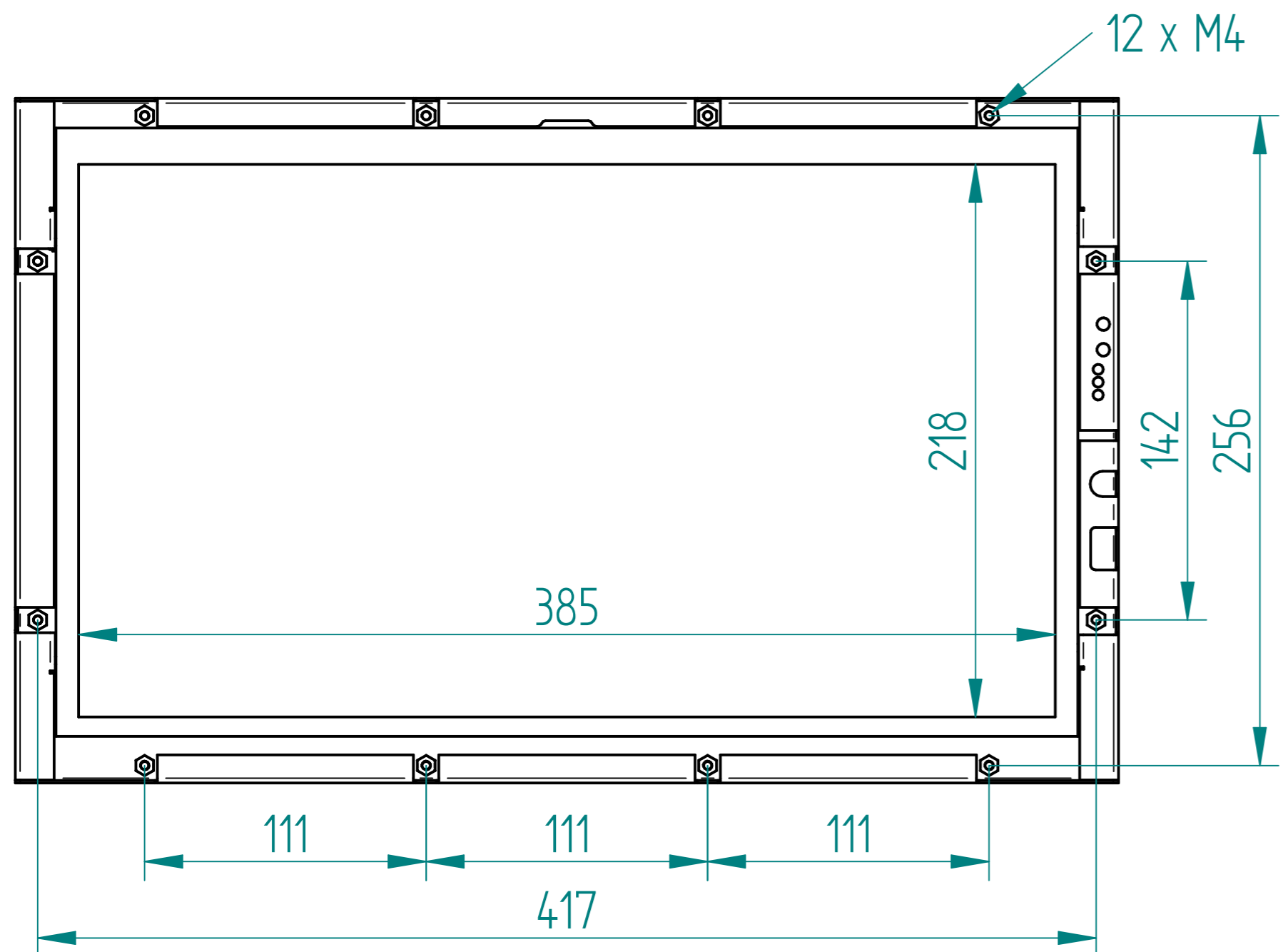


STANDARD FRONT PANEL VERSION

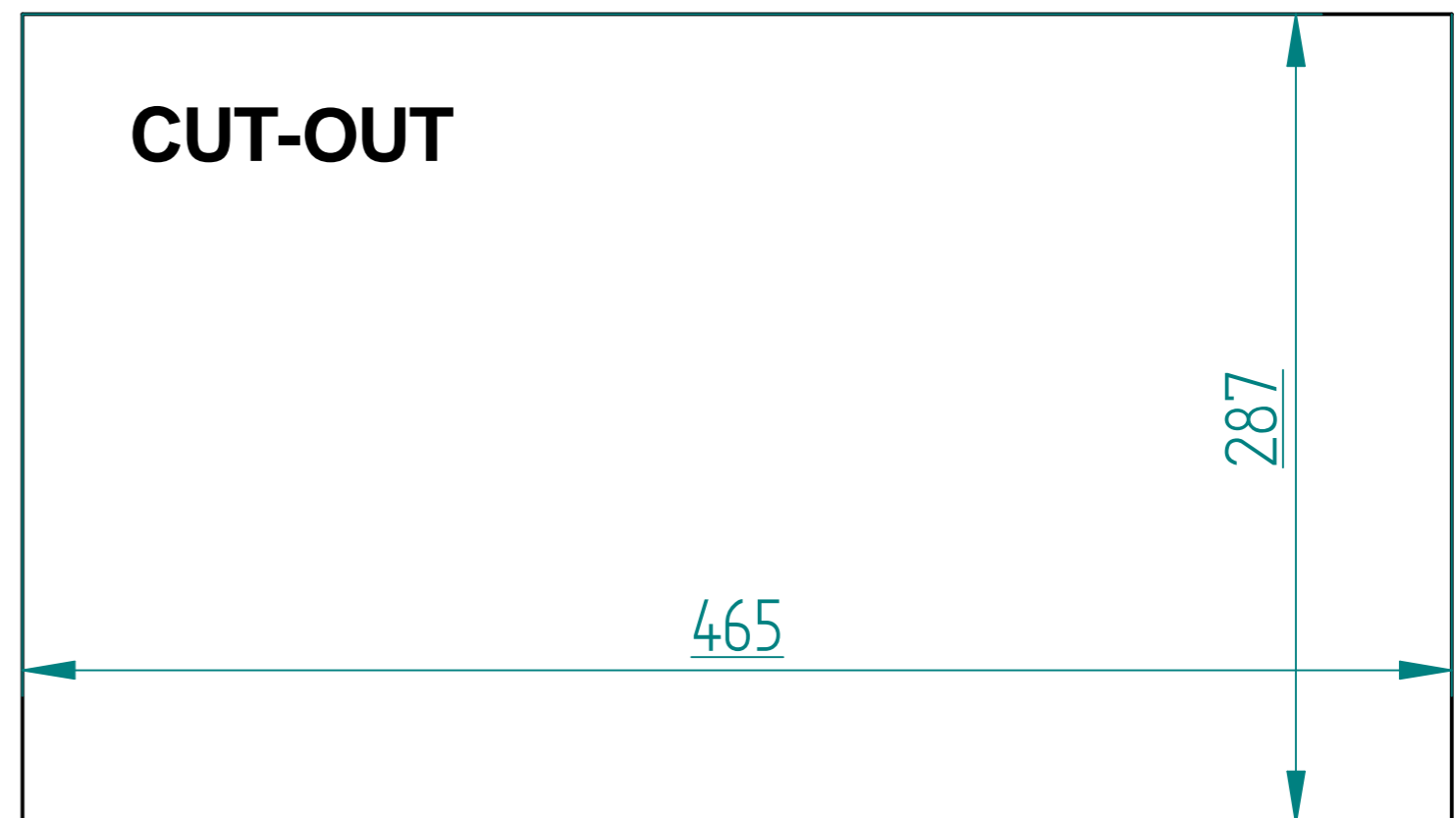
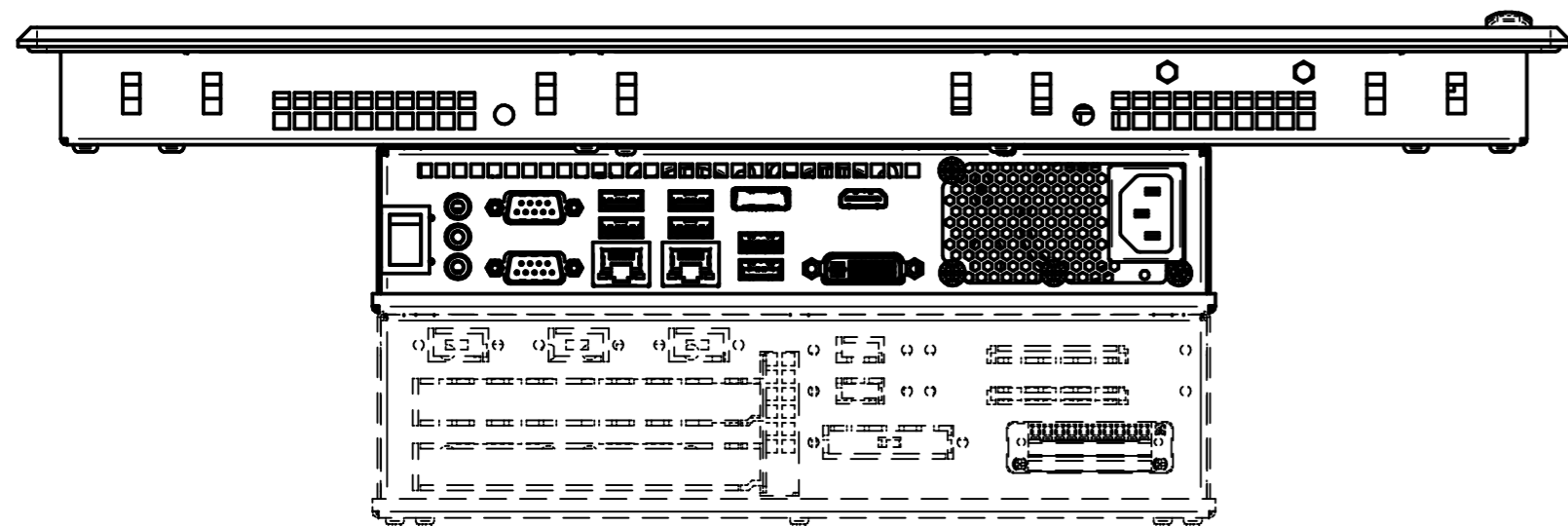
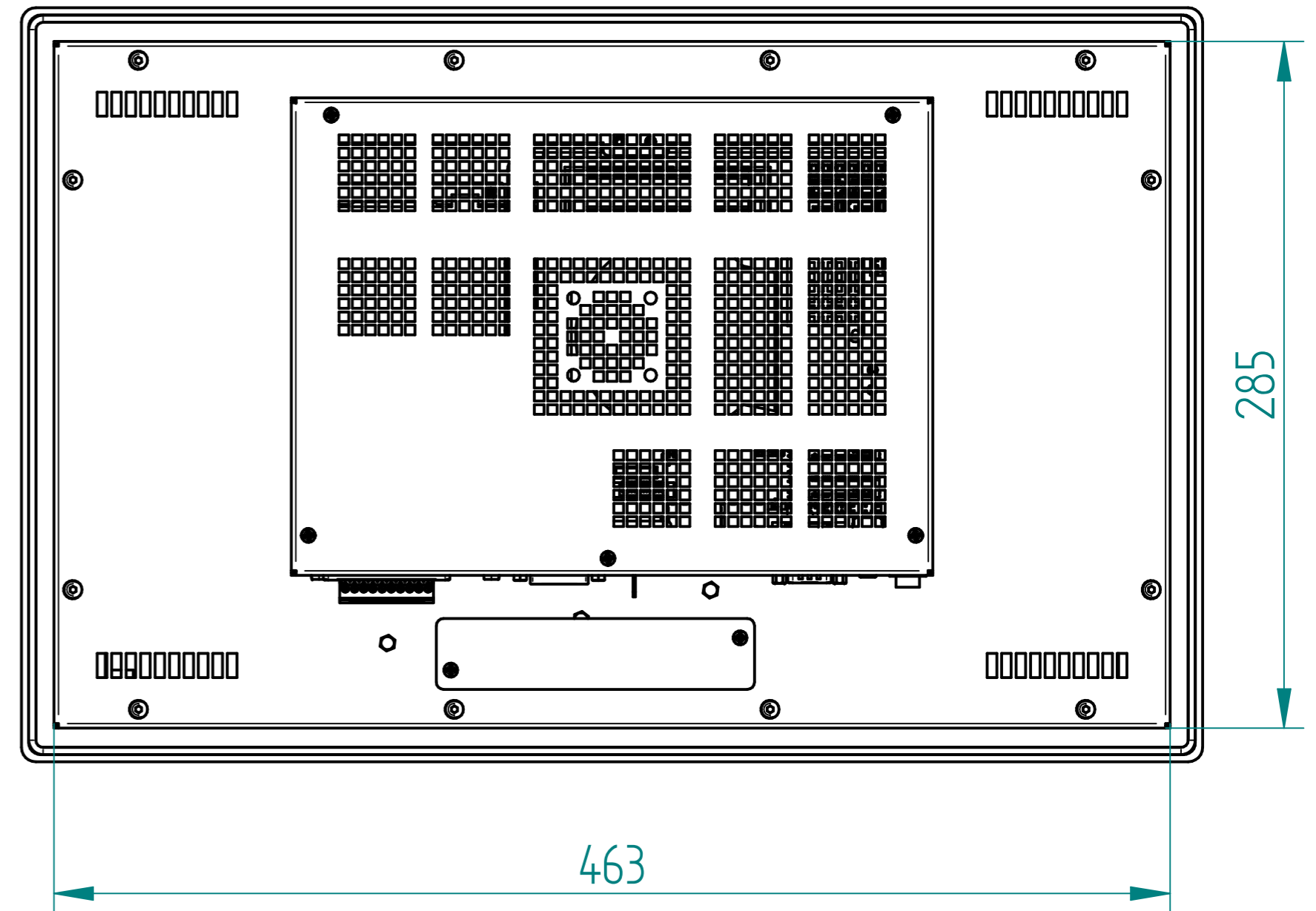
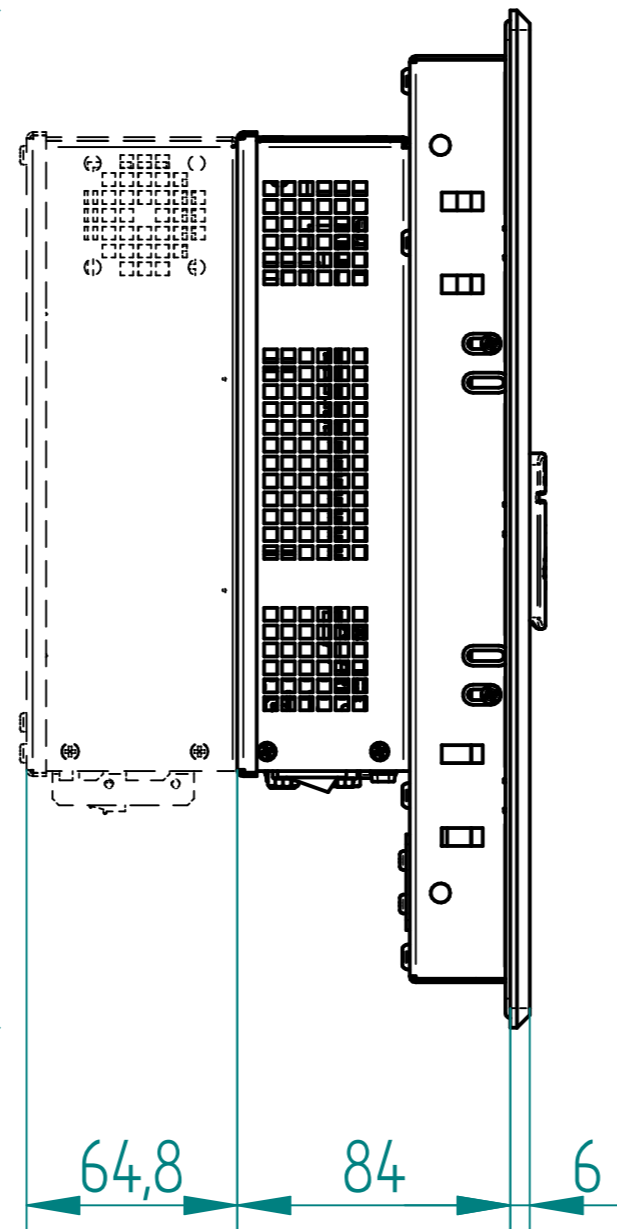
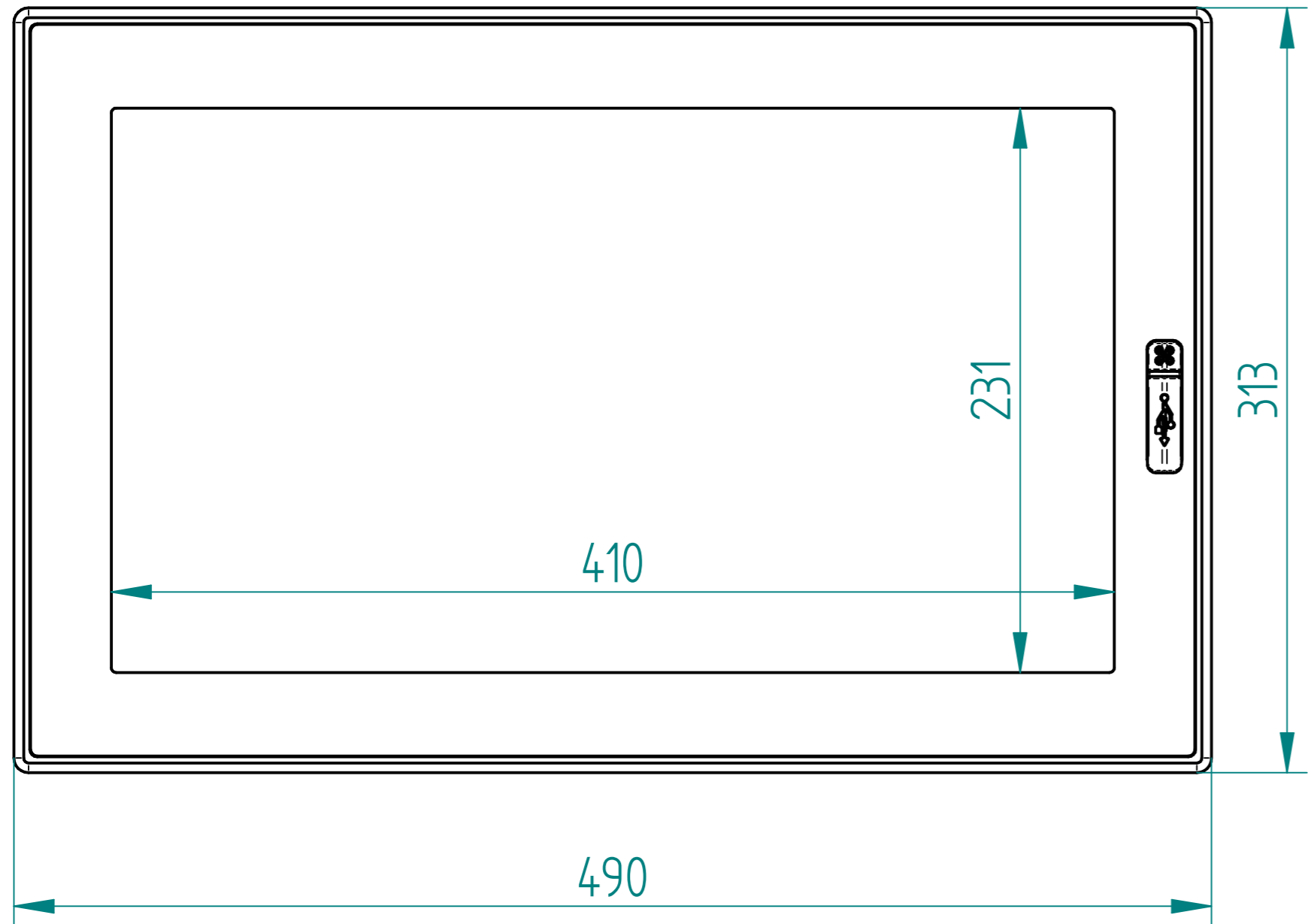
Specifications are subject to change without notice.



19" RACK-MOUNT FRONT PANEL VERSION

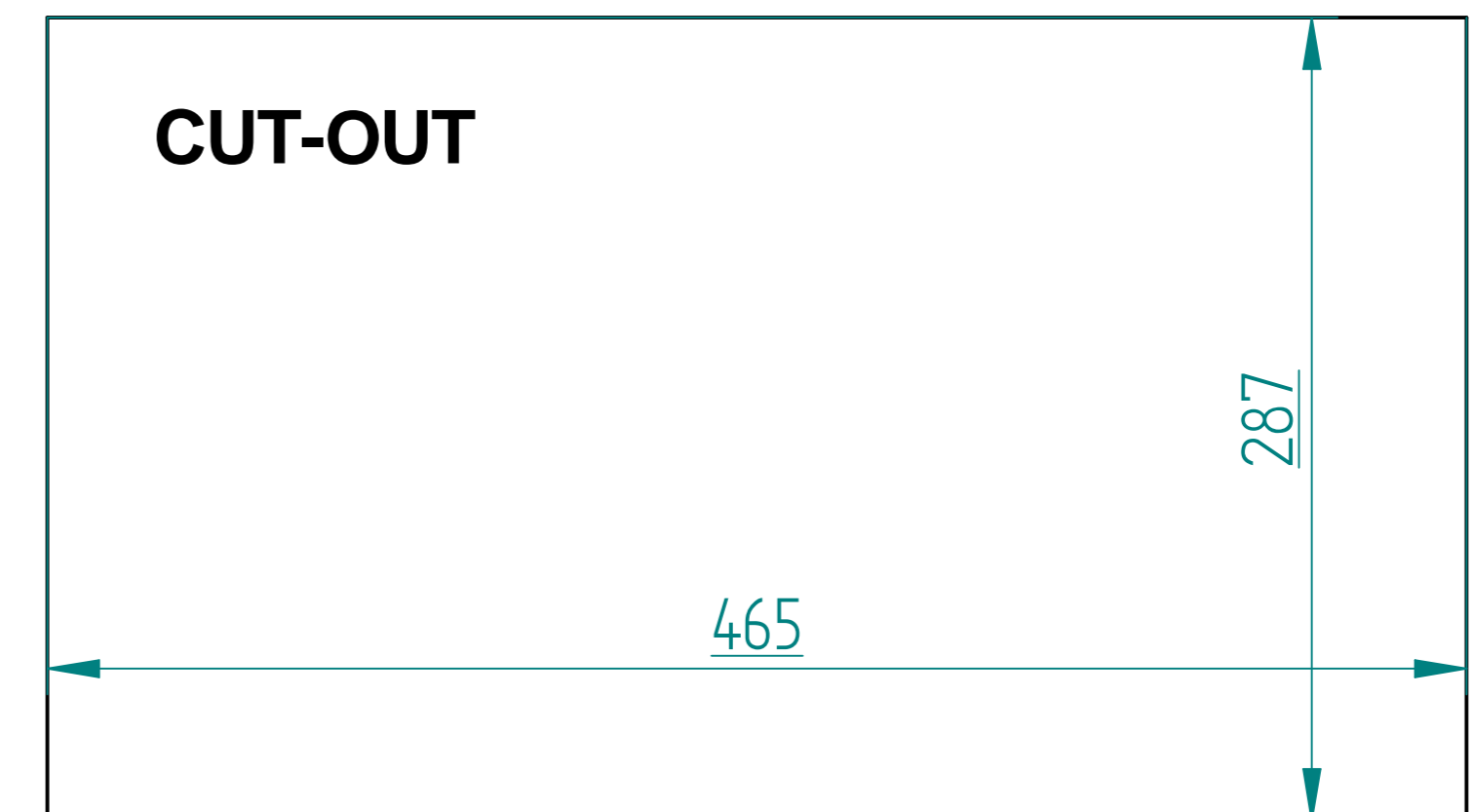
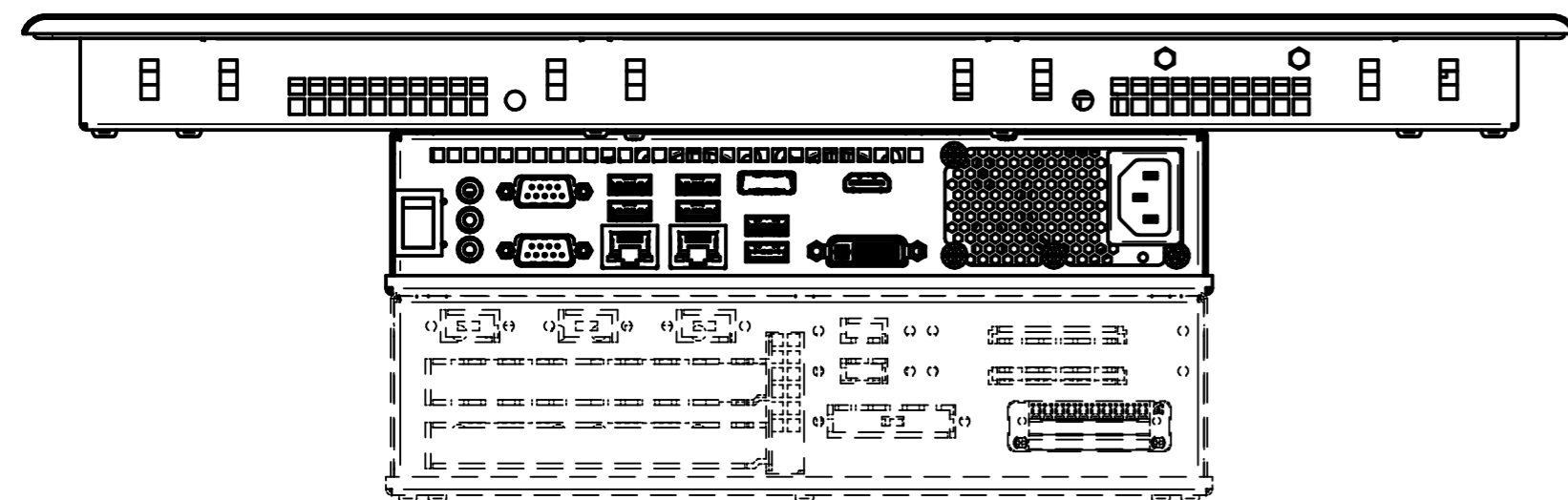
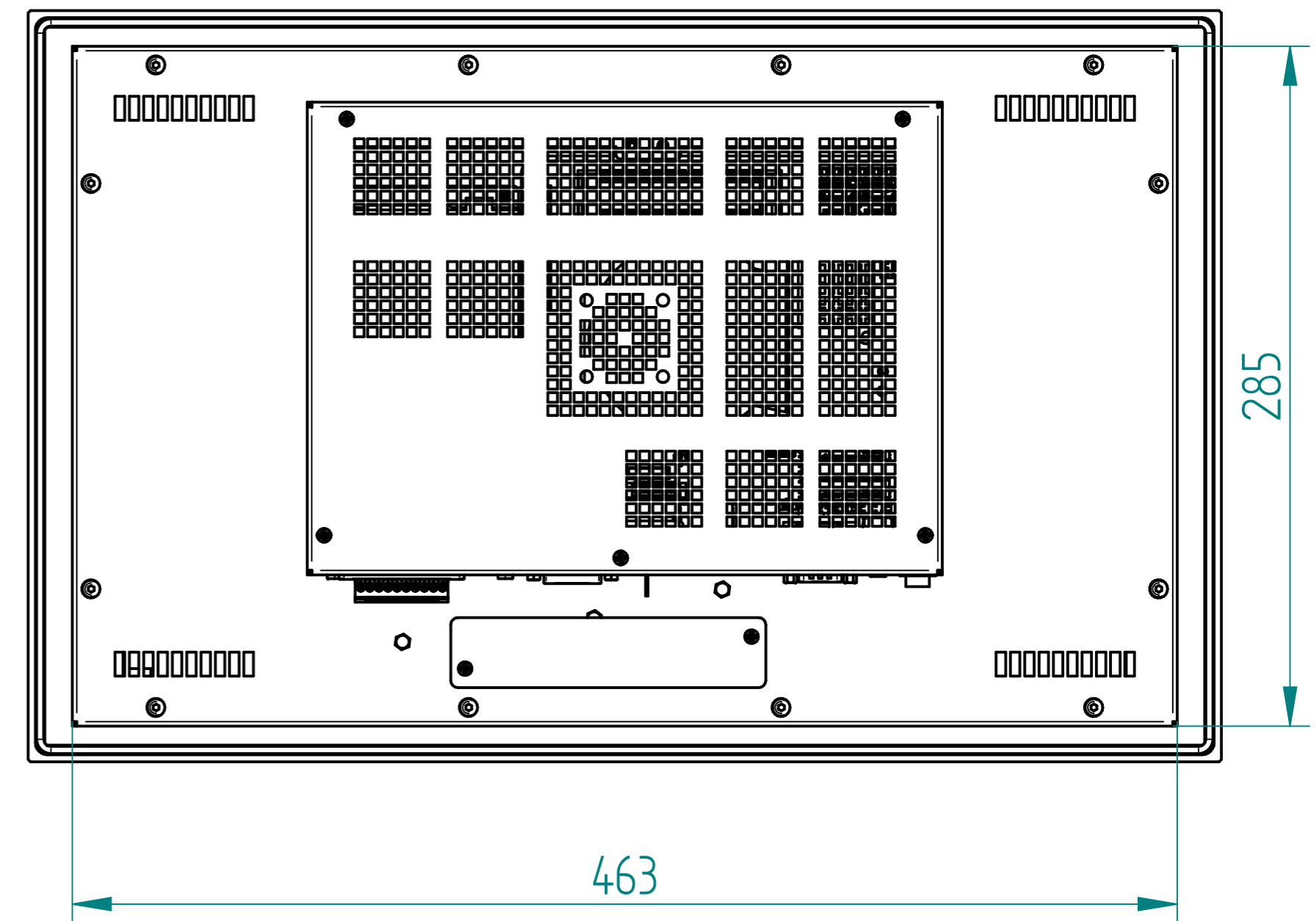
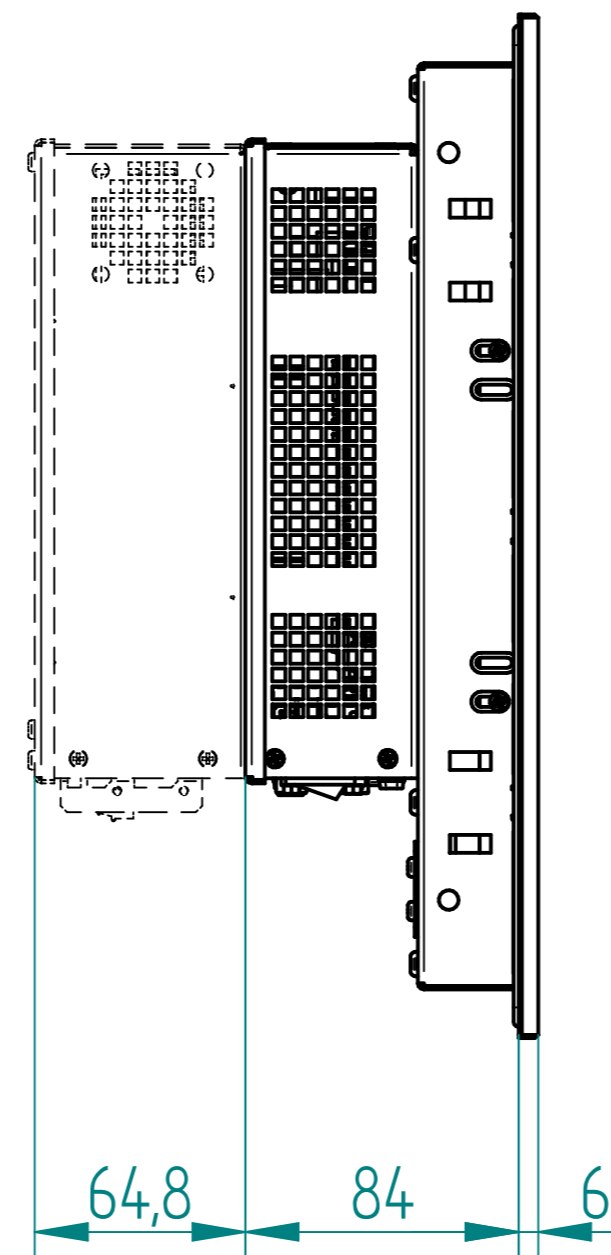
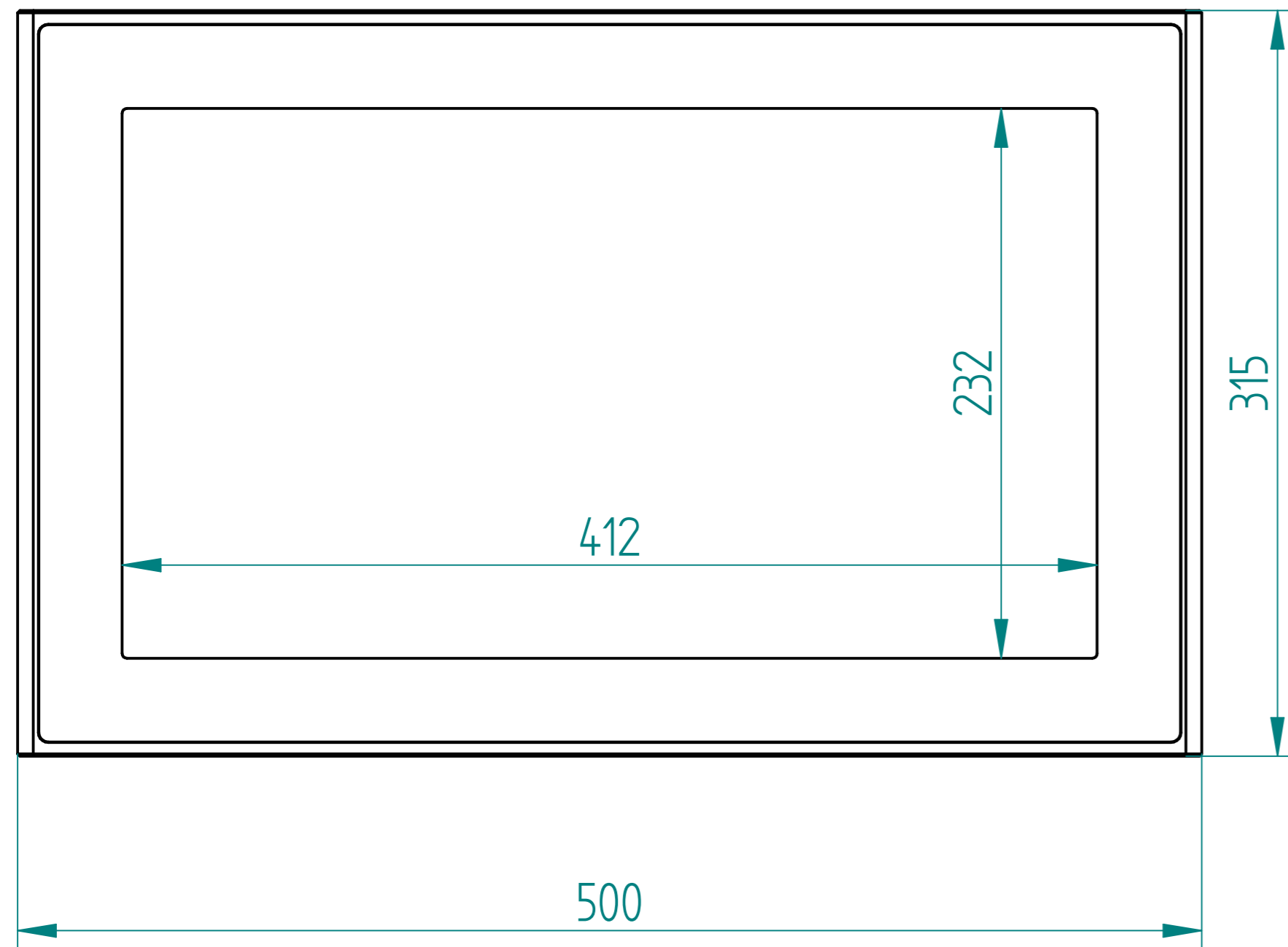


OPEN-FRAME FRONT PANEL VERSION

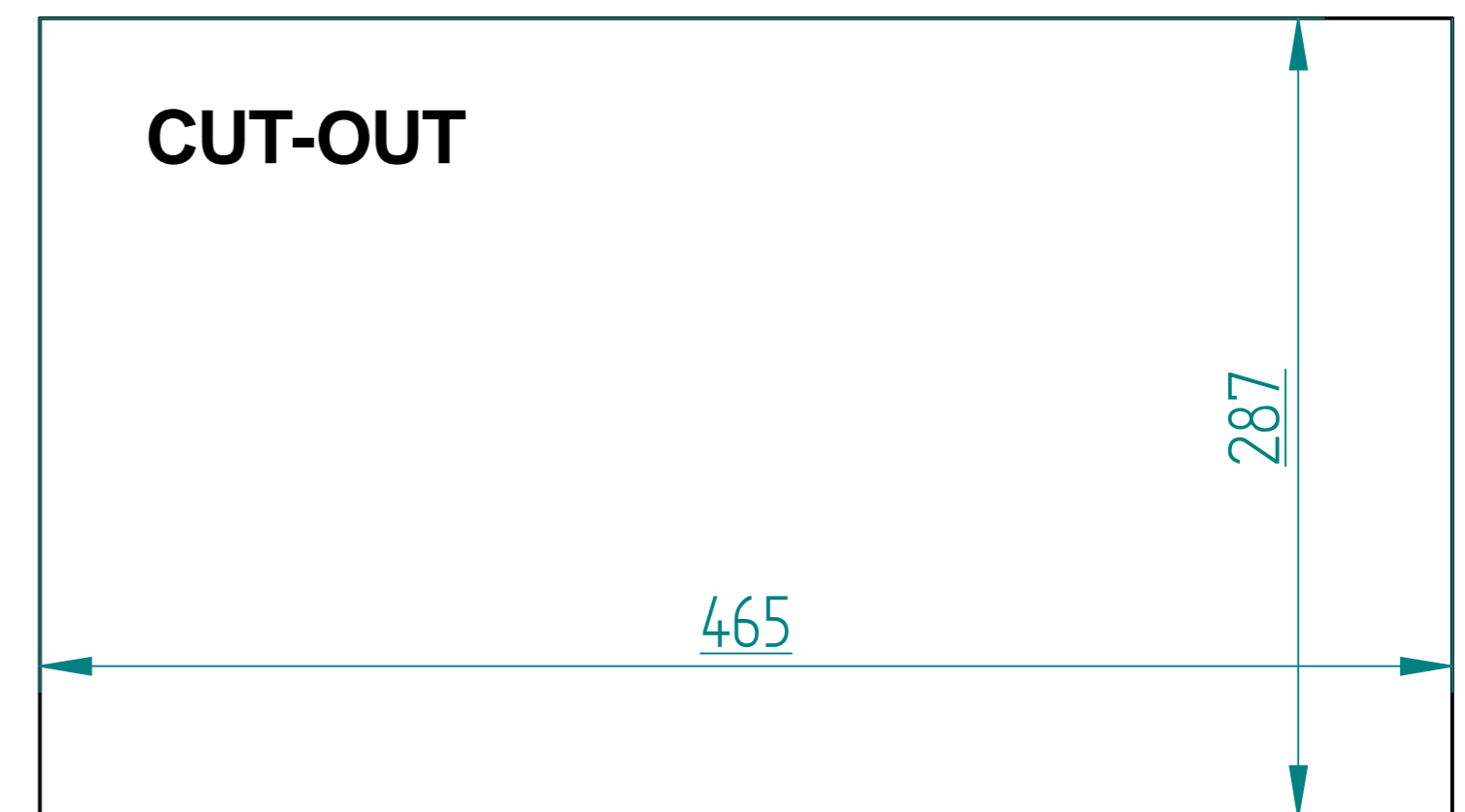
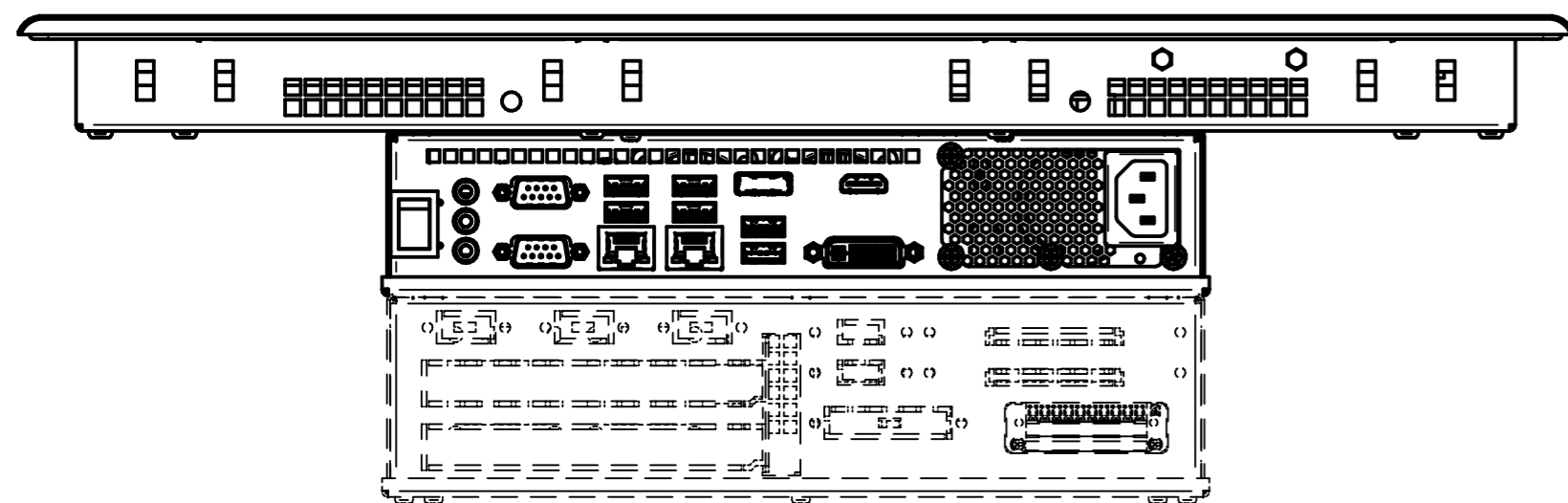
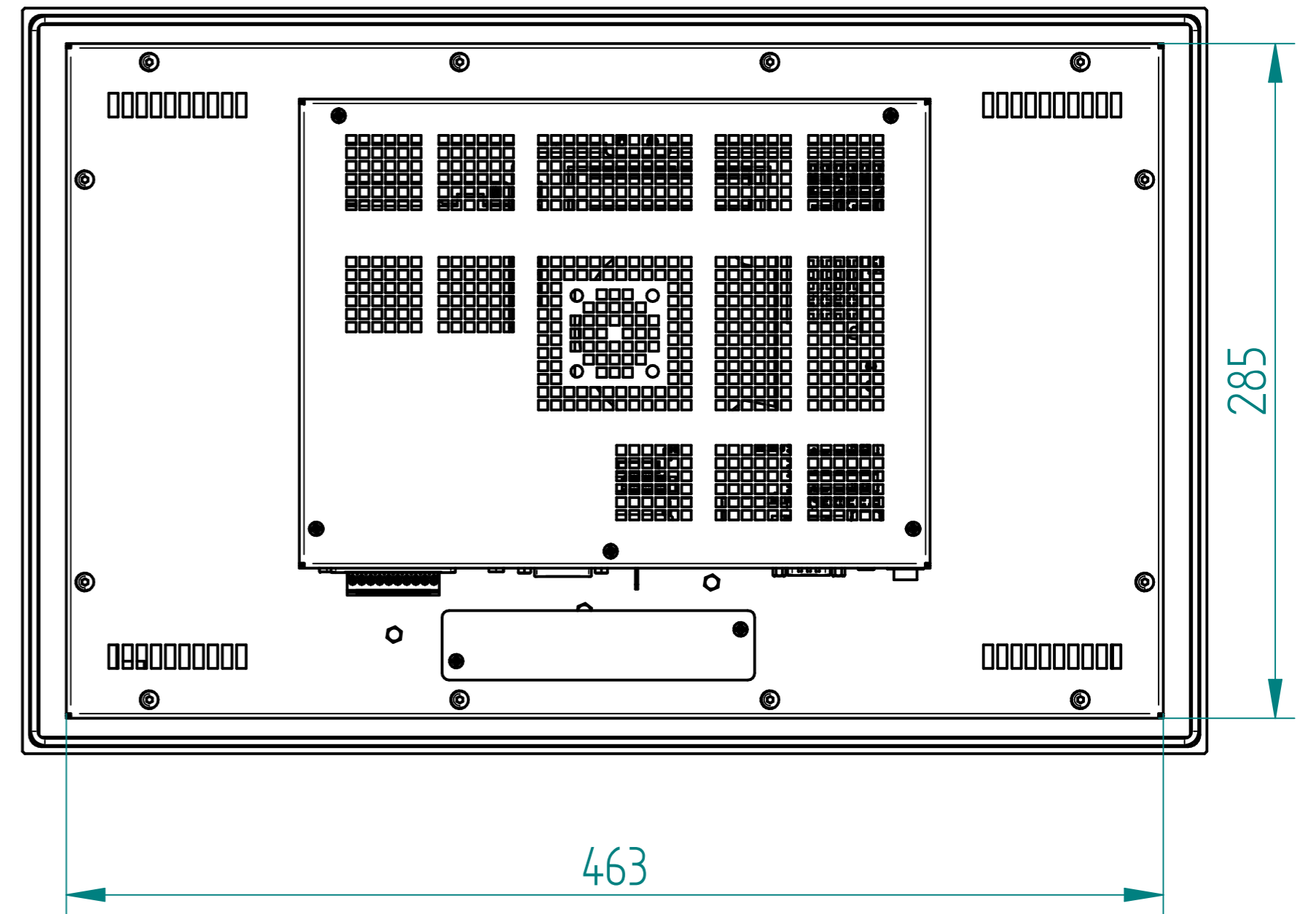
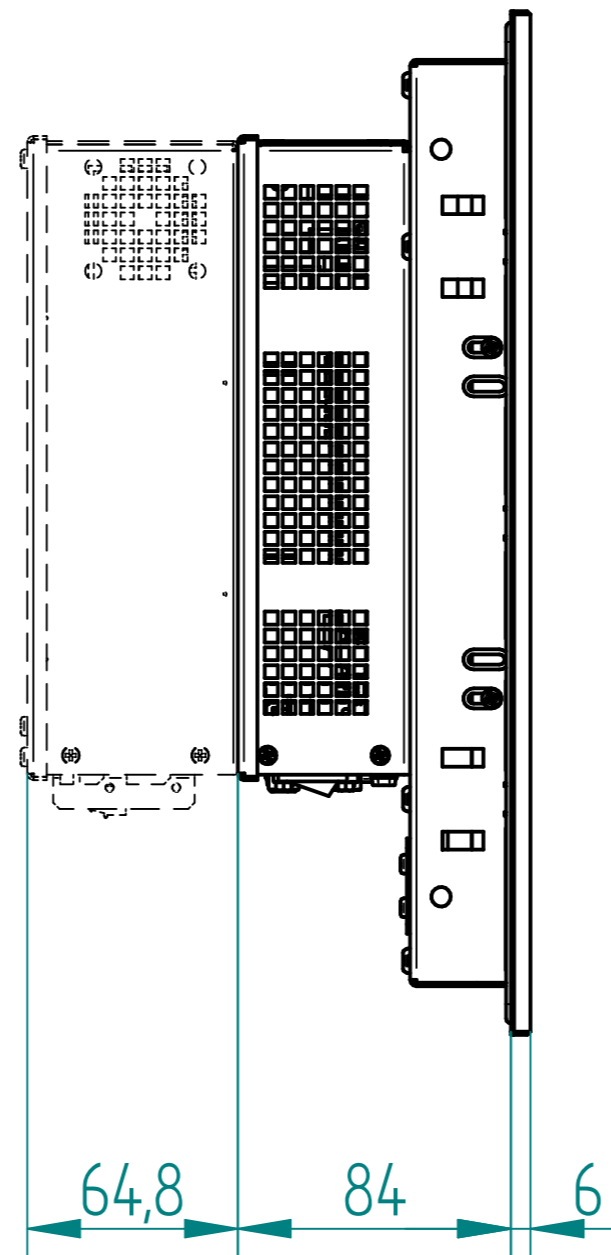
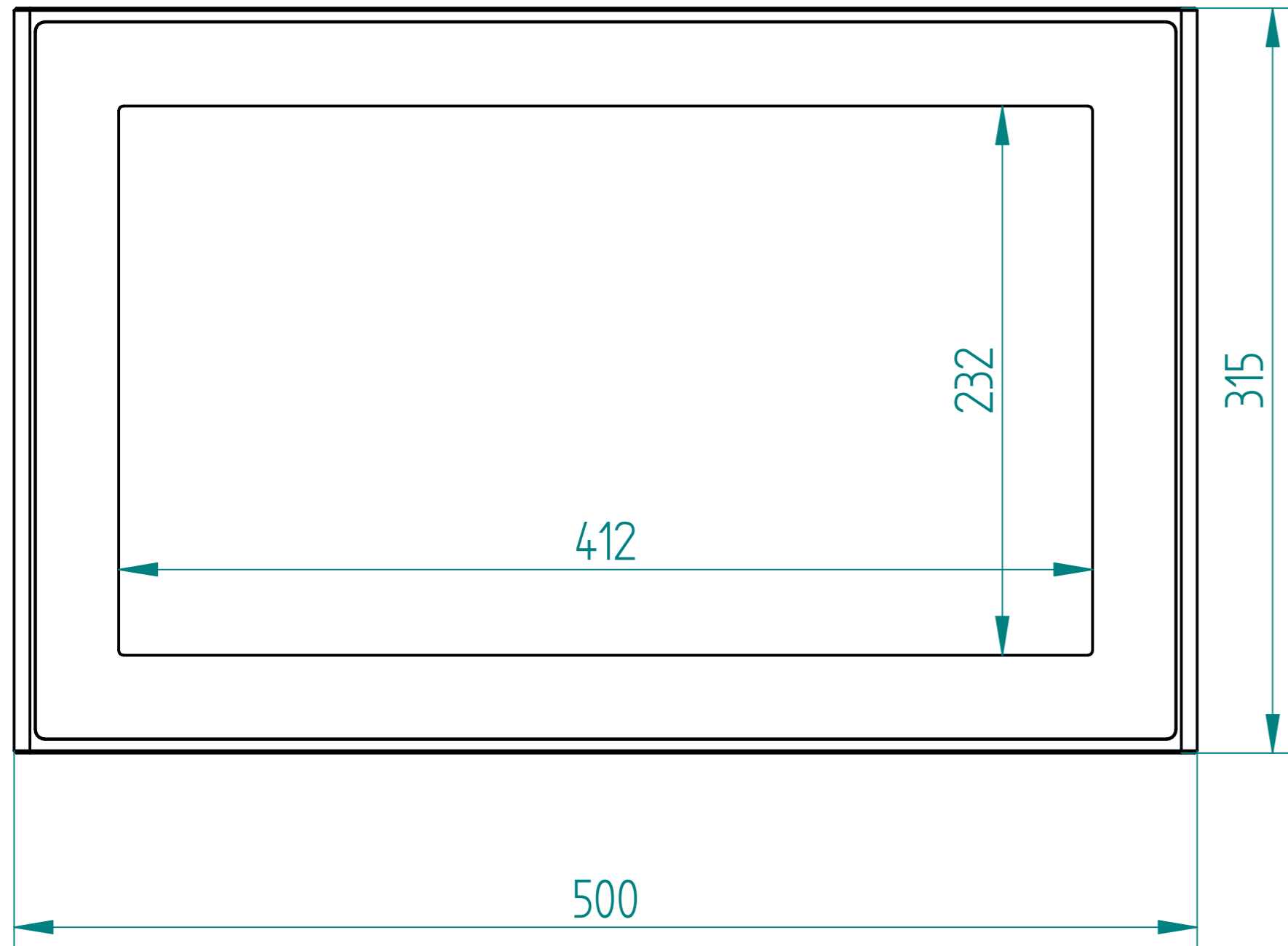


STANDARD FRONT PANEL VERSION

Specifications are subject to change without notice.

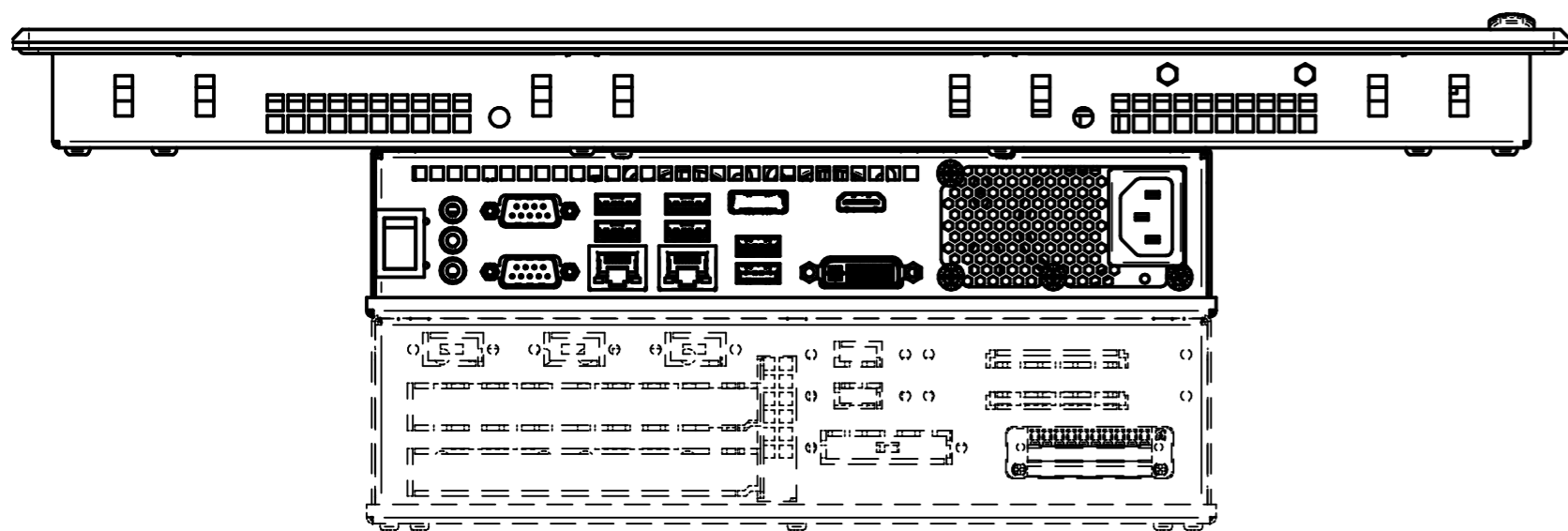
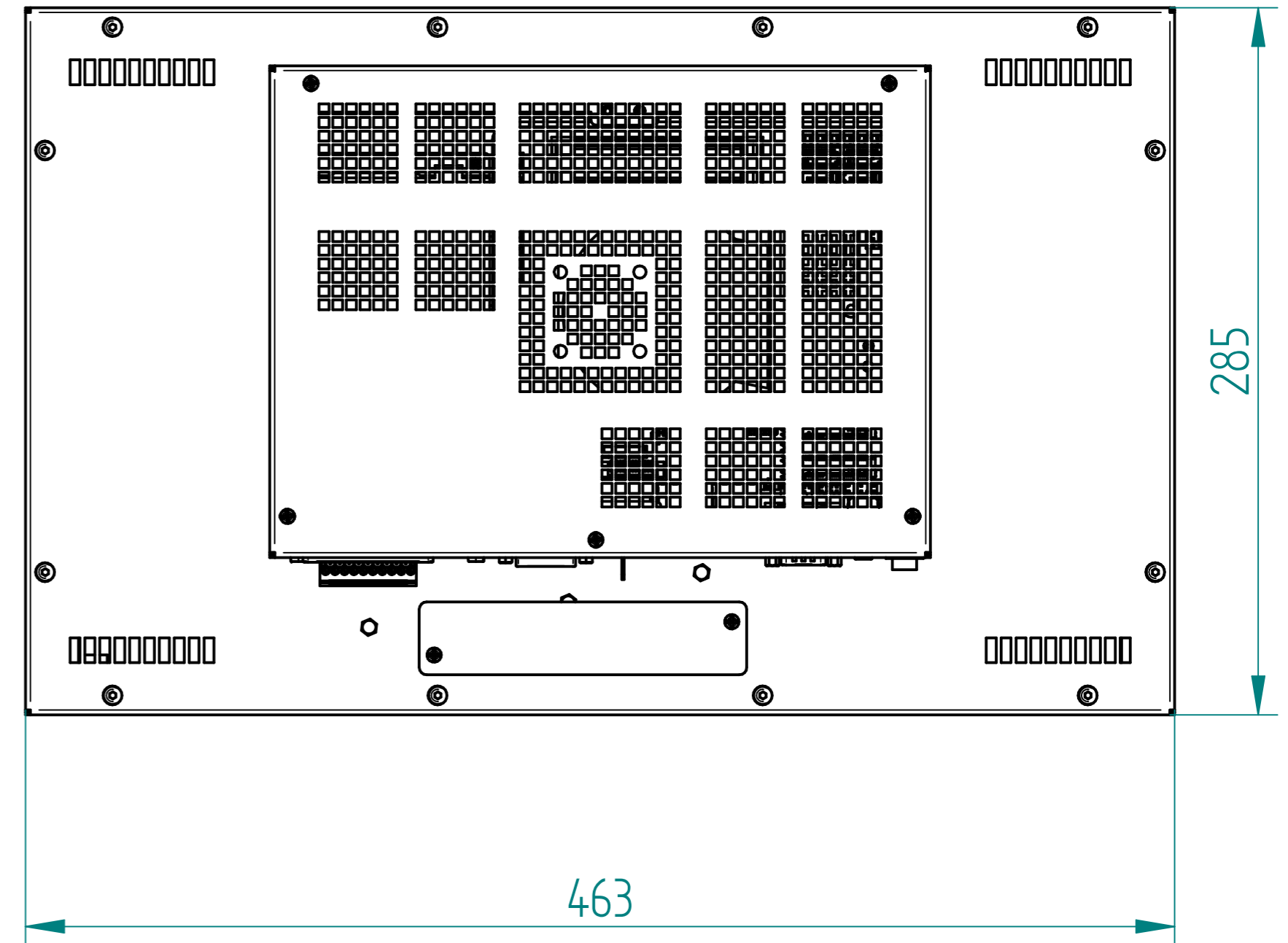
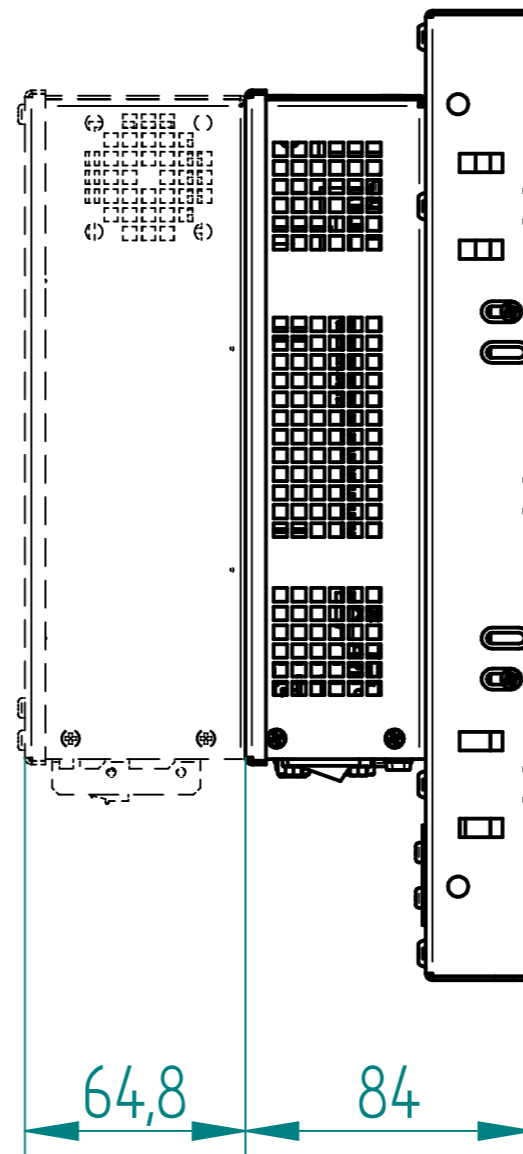
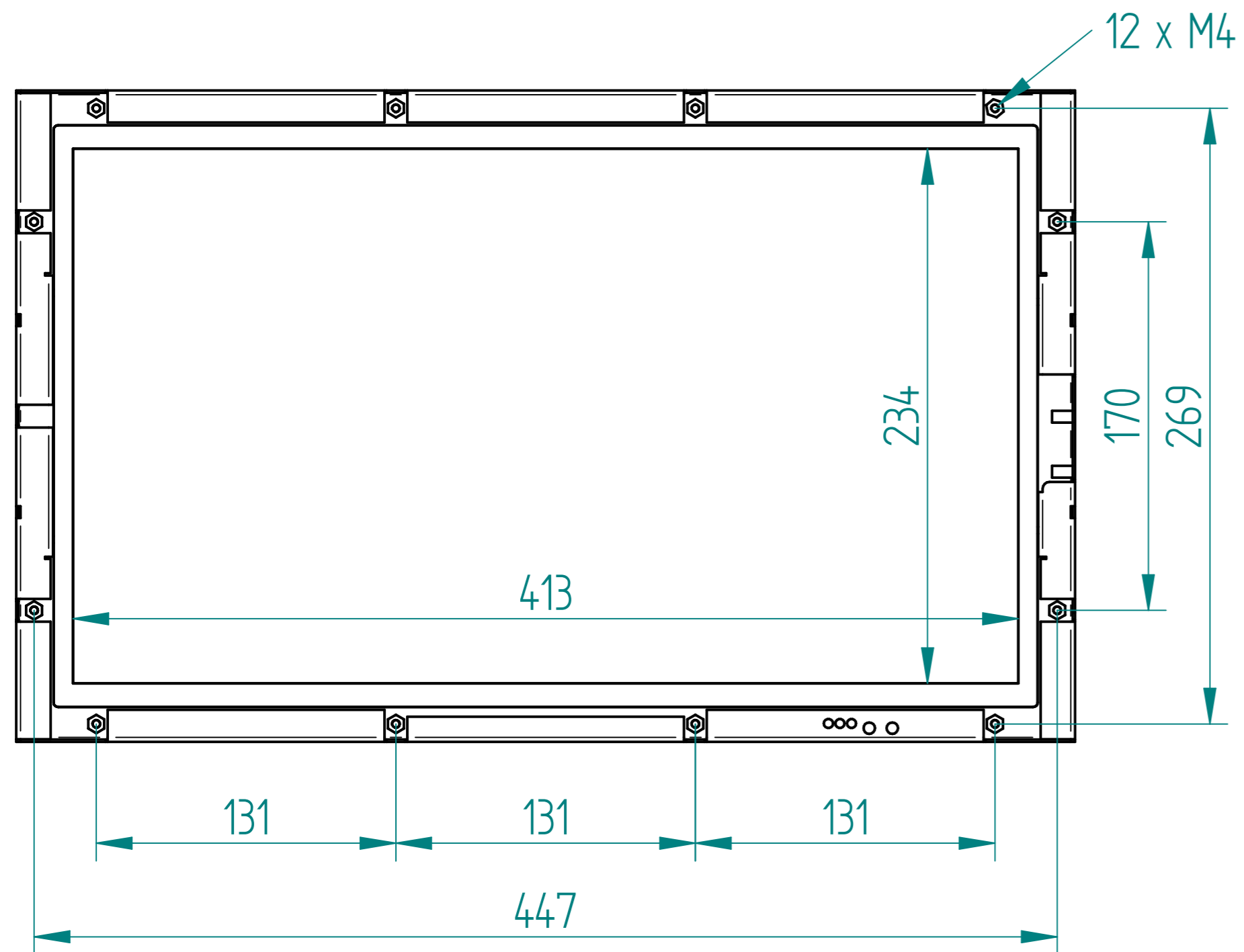


PCT-RTF FRONT PANEL VERSION

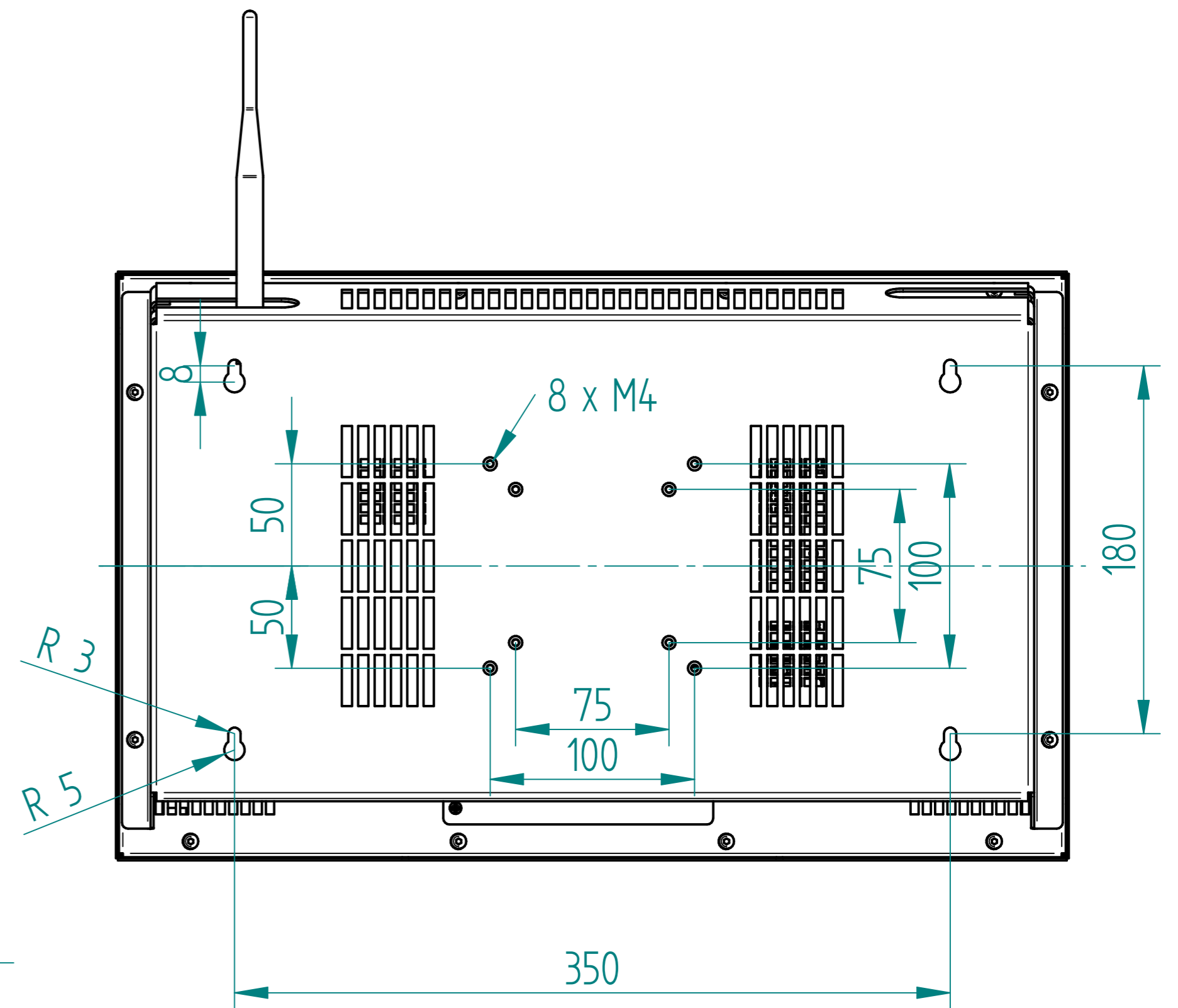
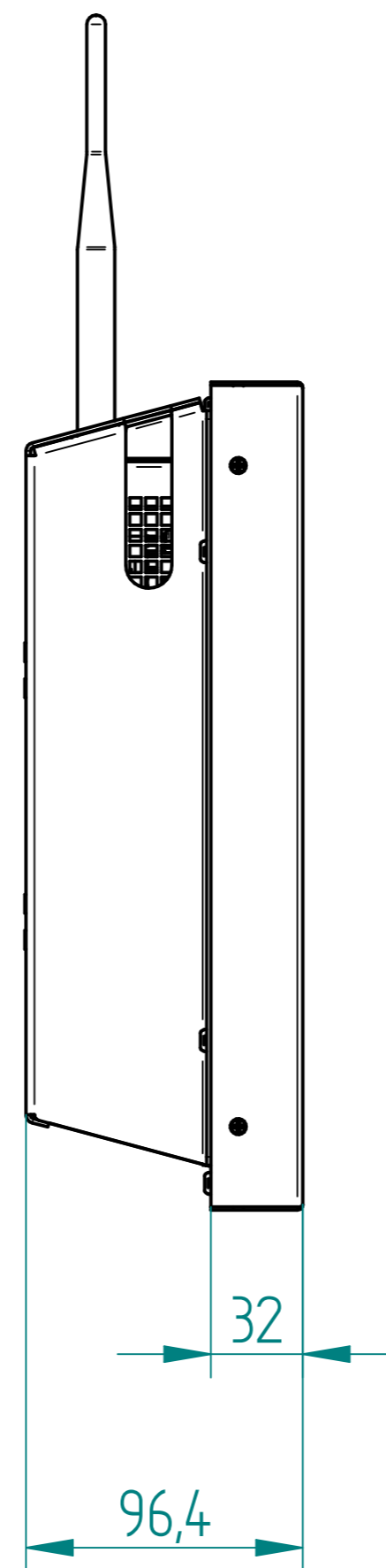
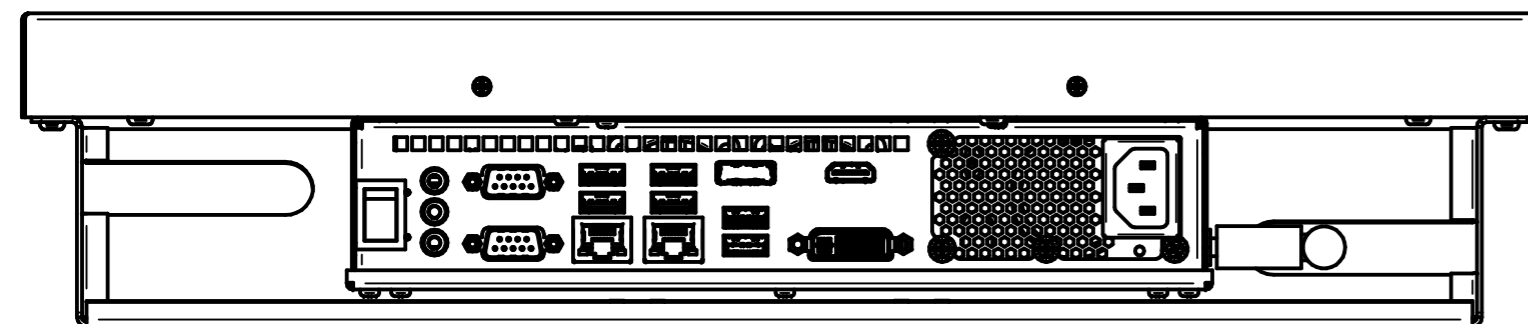
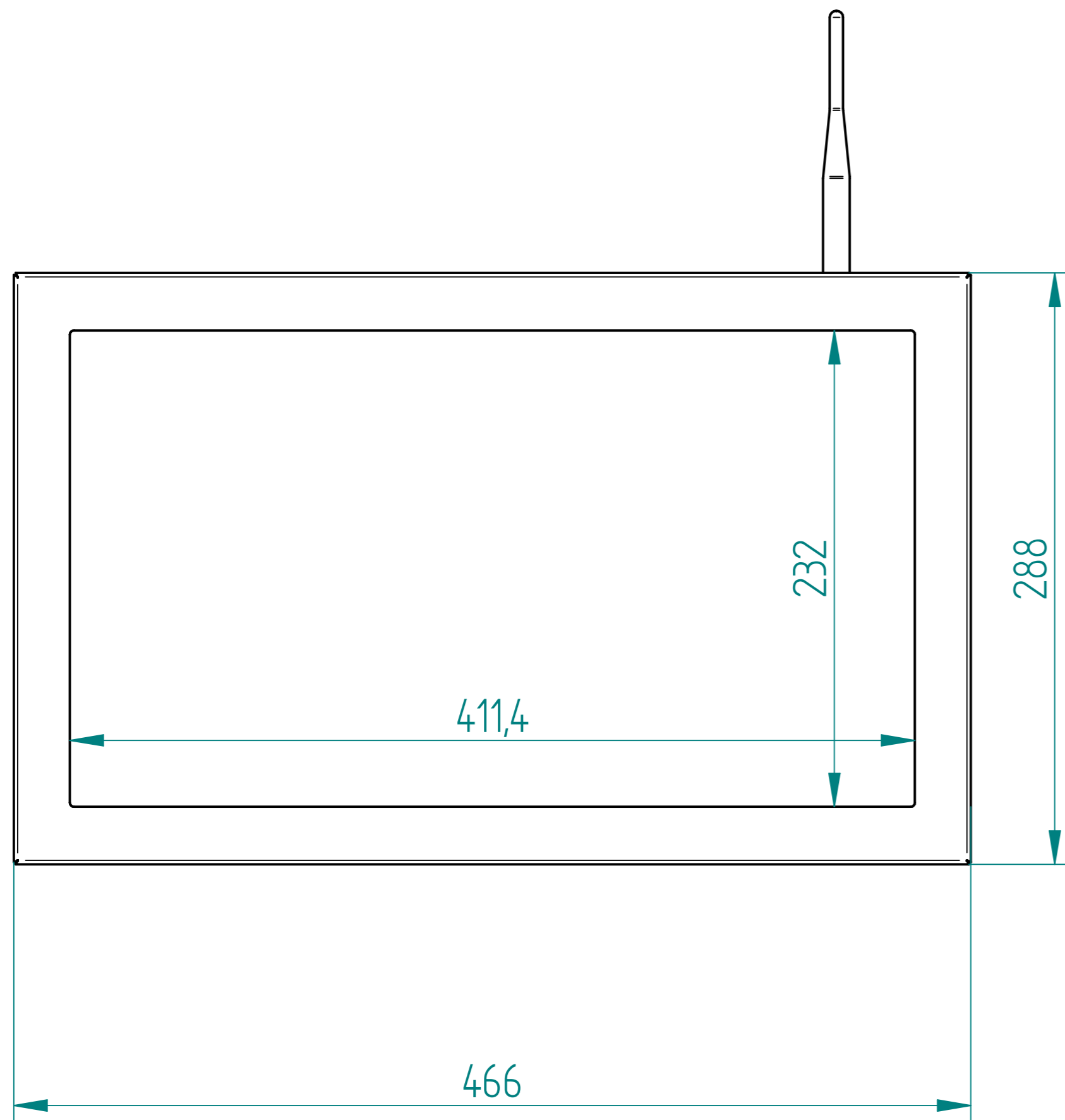


PCTX-RTFX FRONT PANEL VERSION

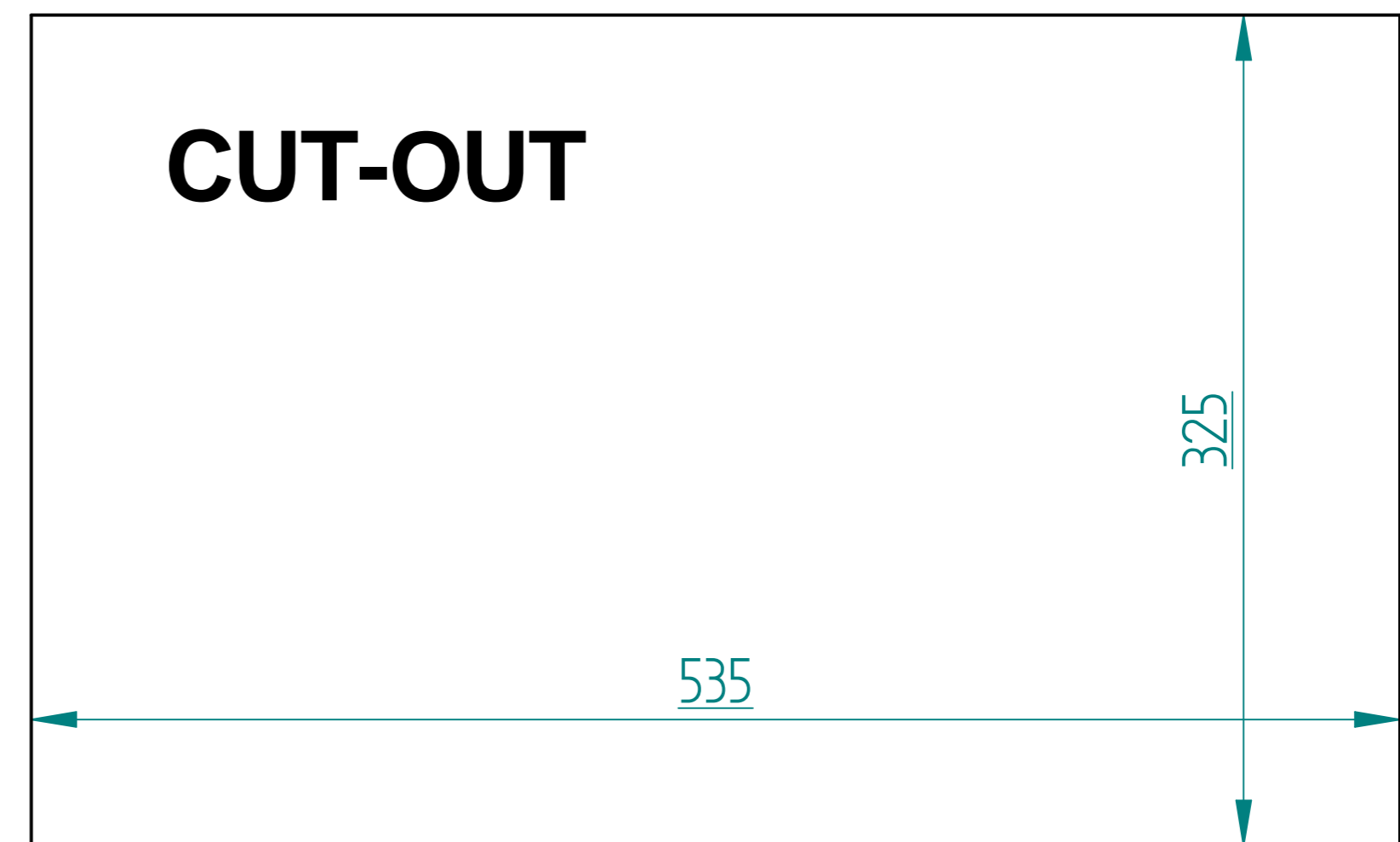
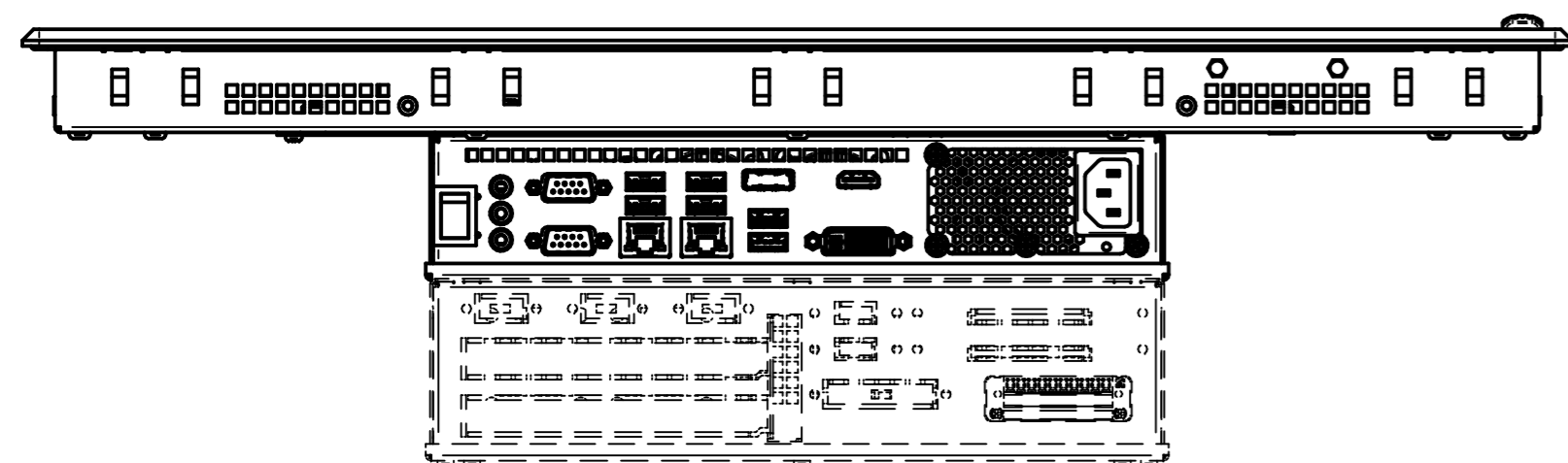
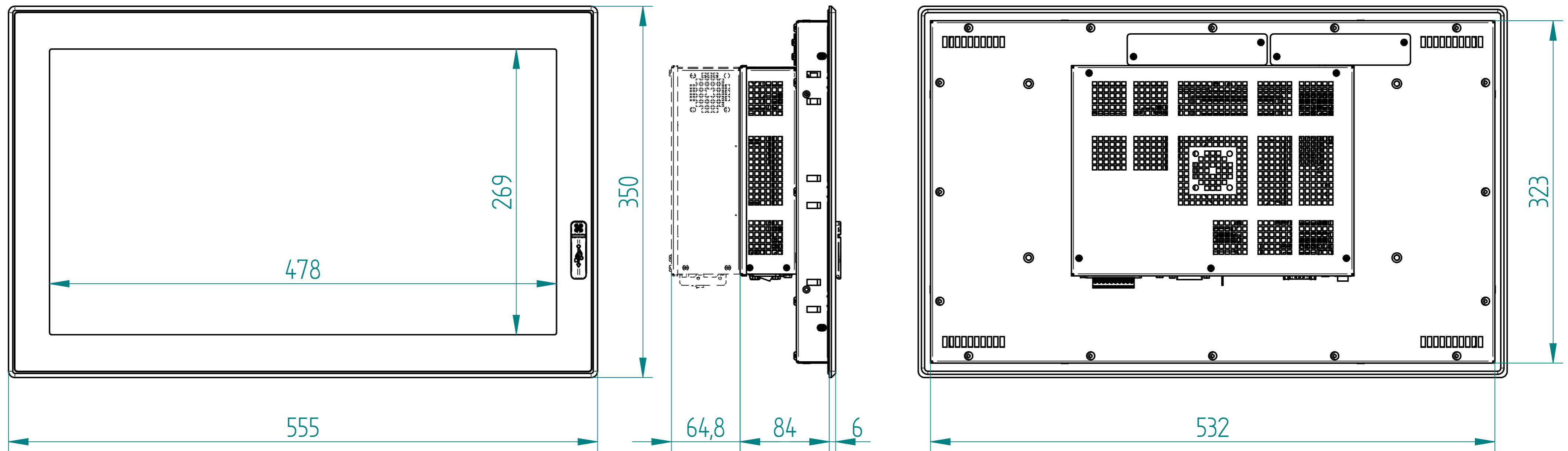
Specifications are subject to change without notice.



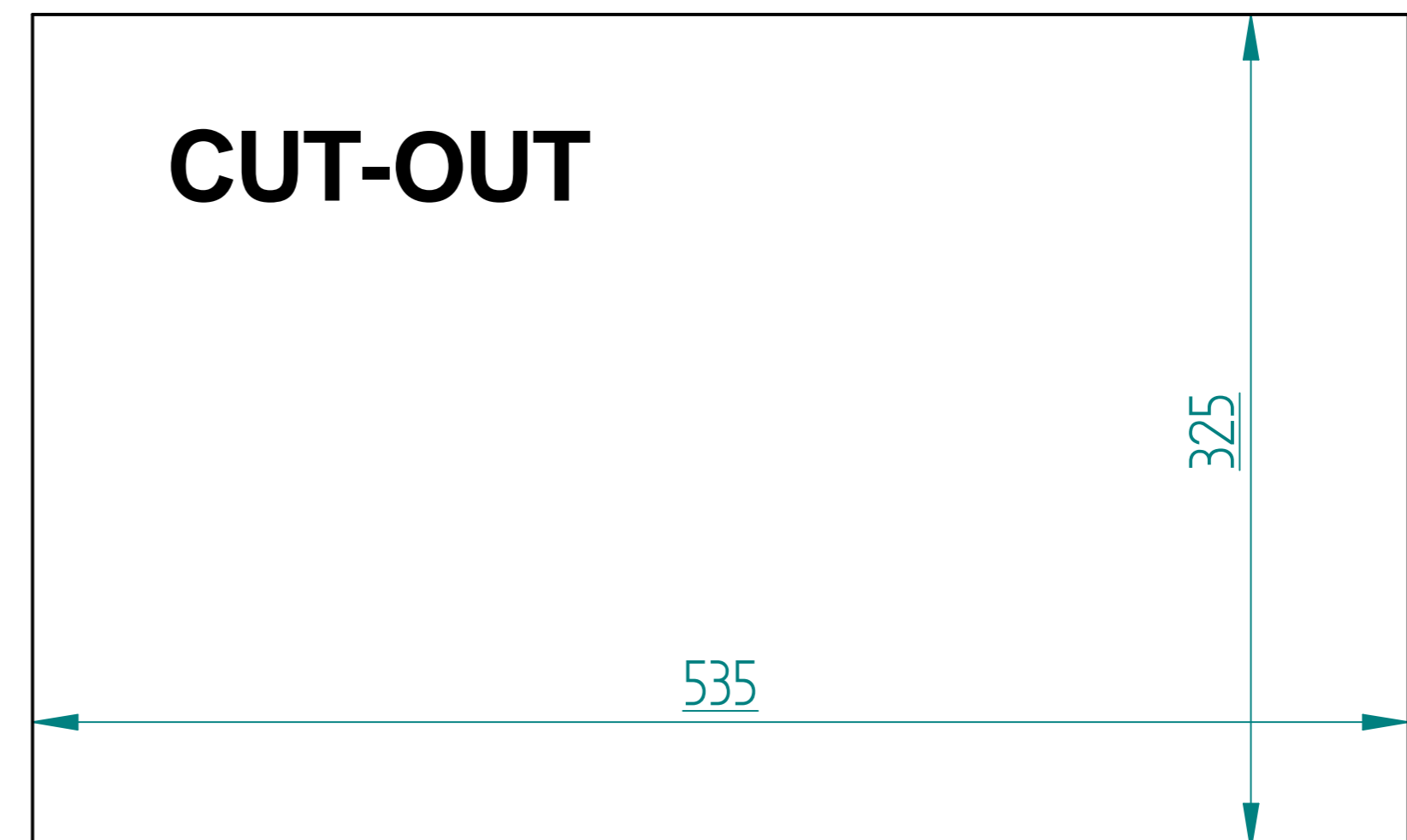
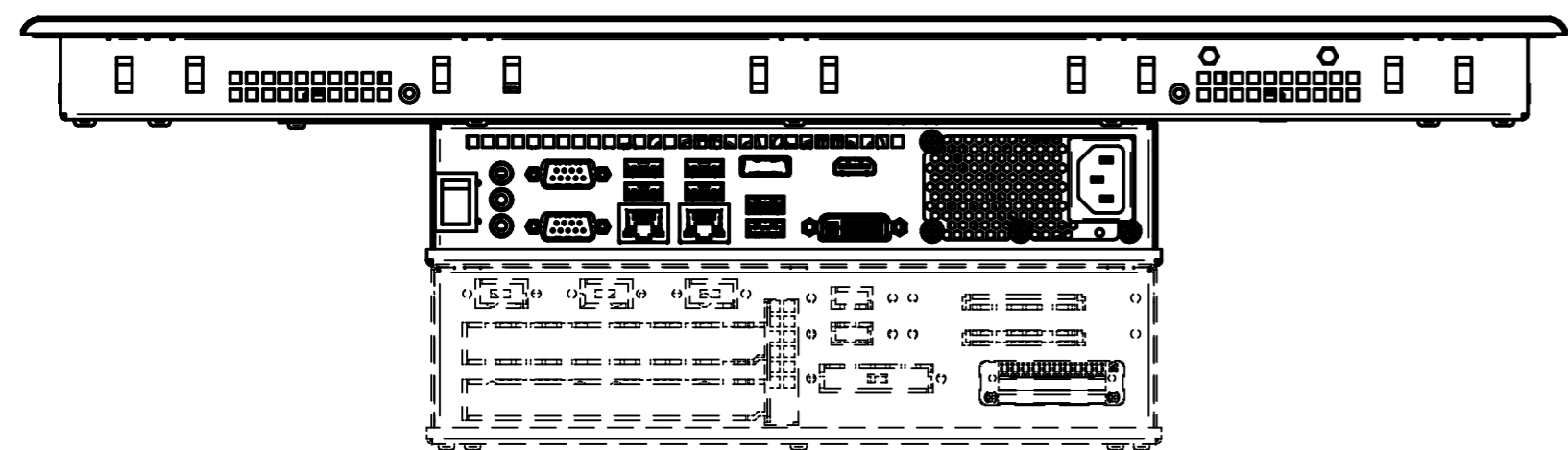
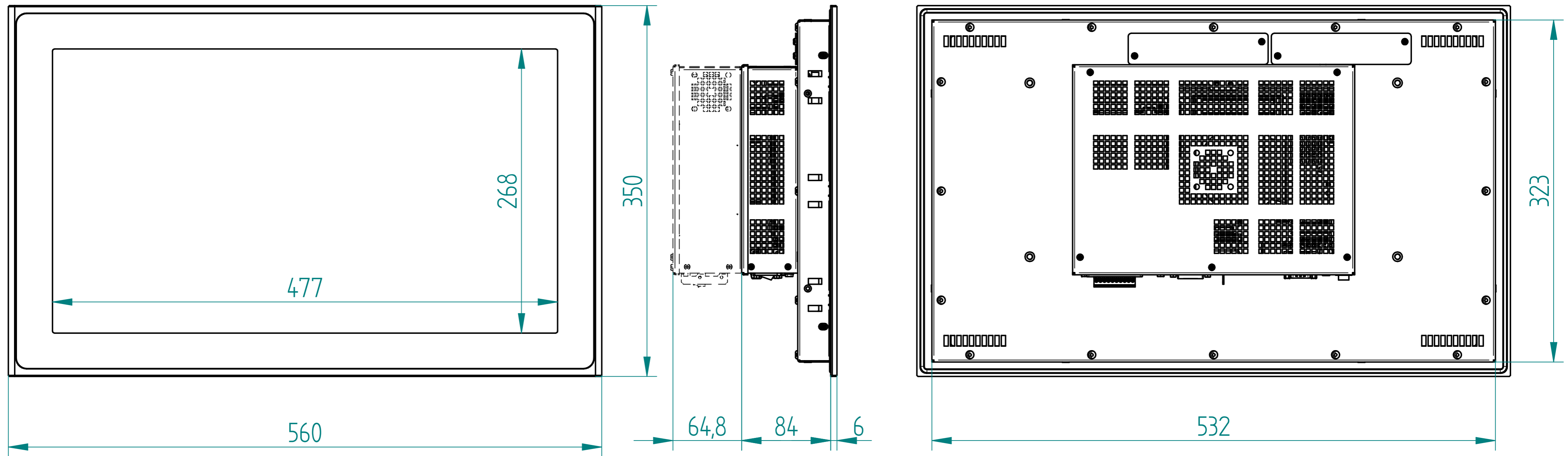
OPEN-FRAME FRONT PANEL VERSION



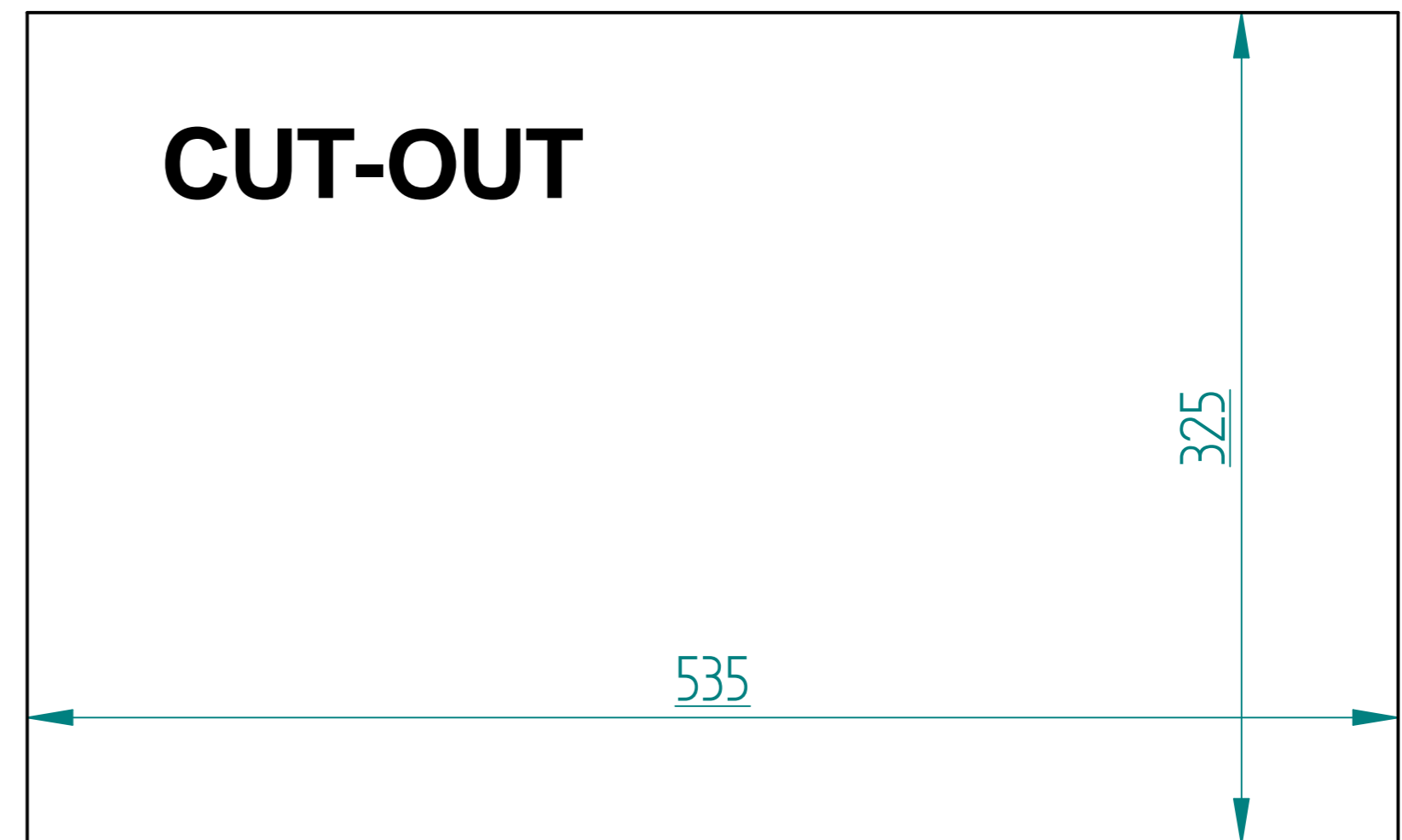
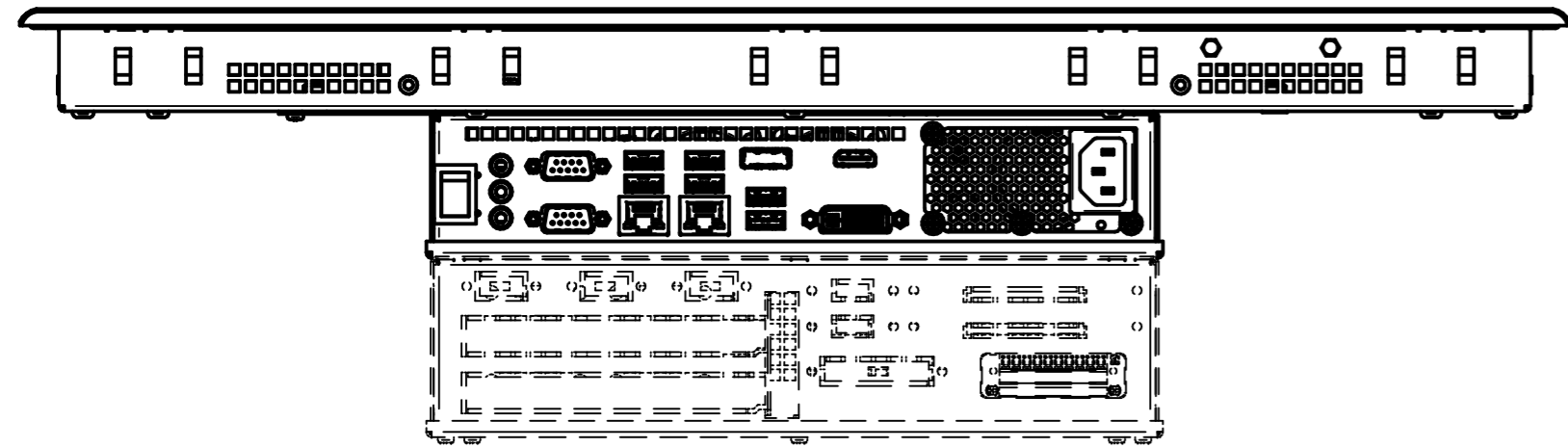
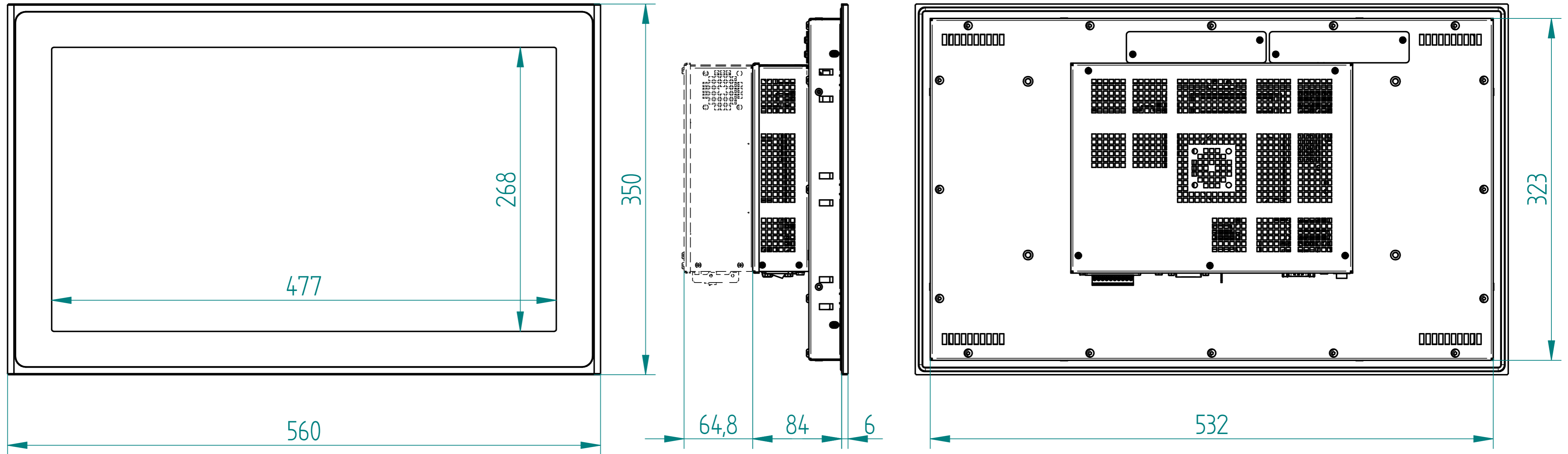
METAL CASE VERSION



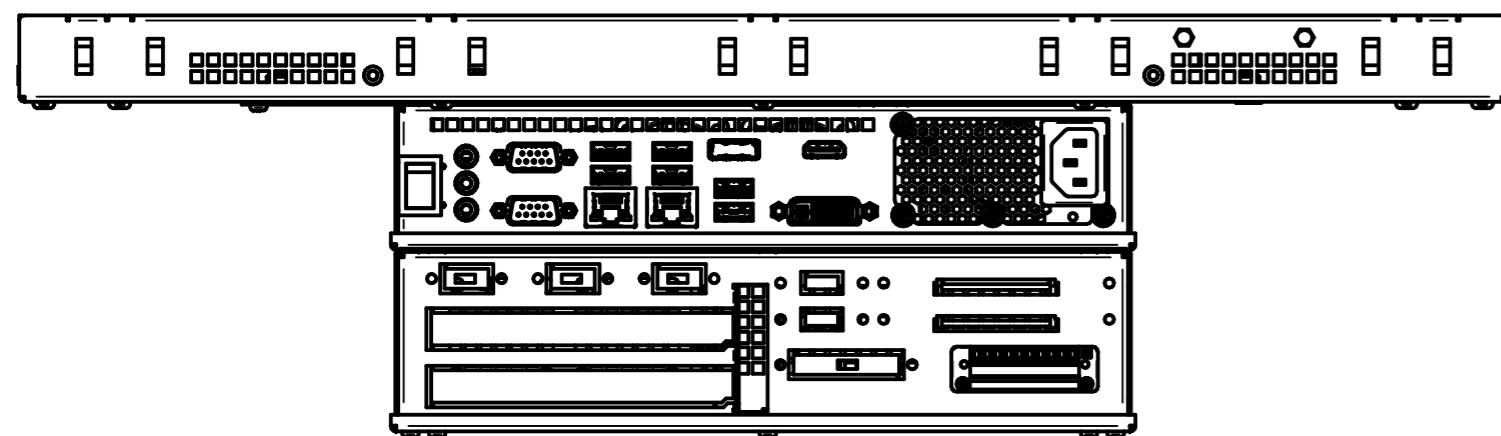
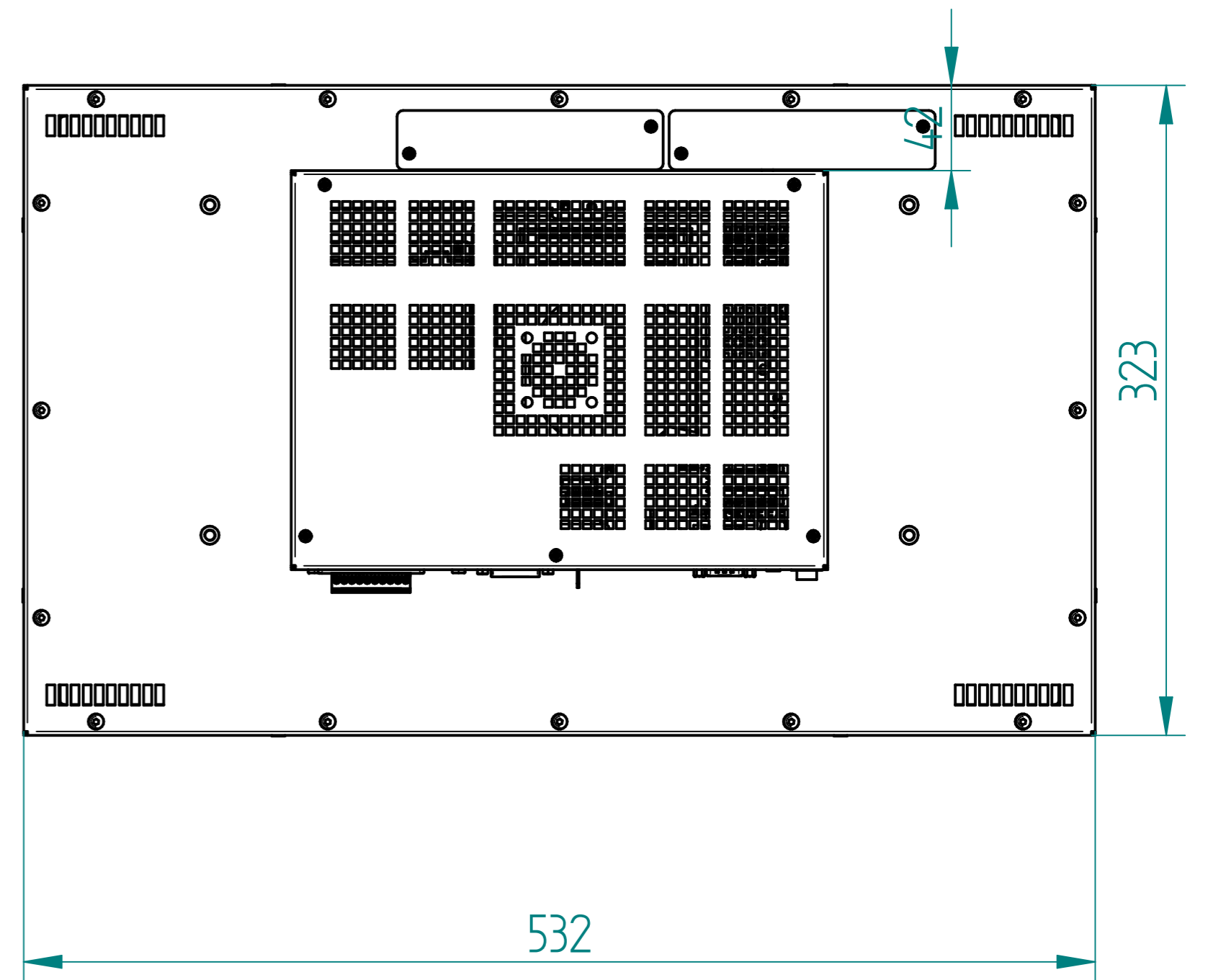
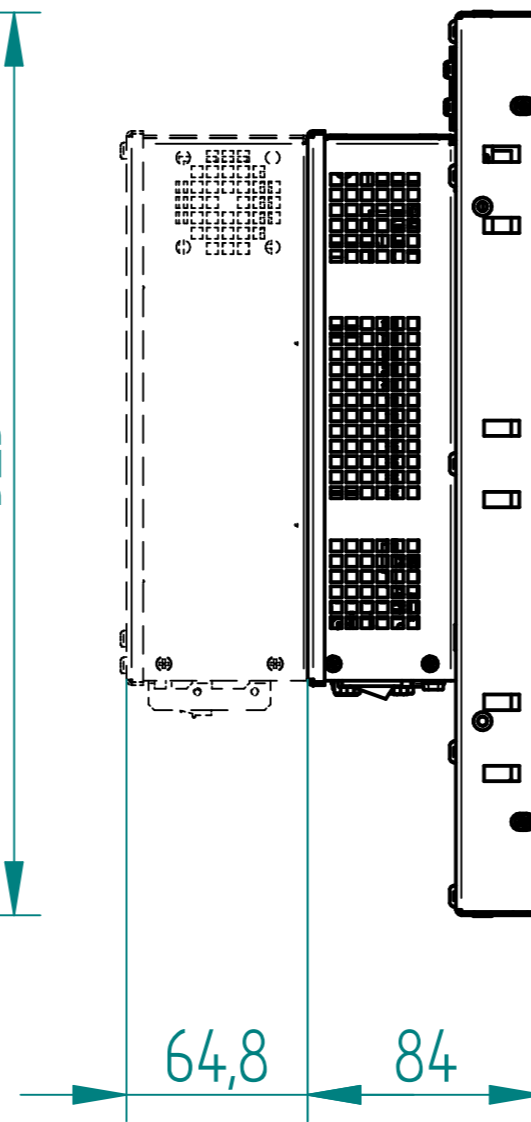
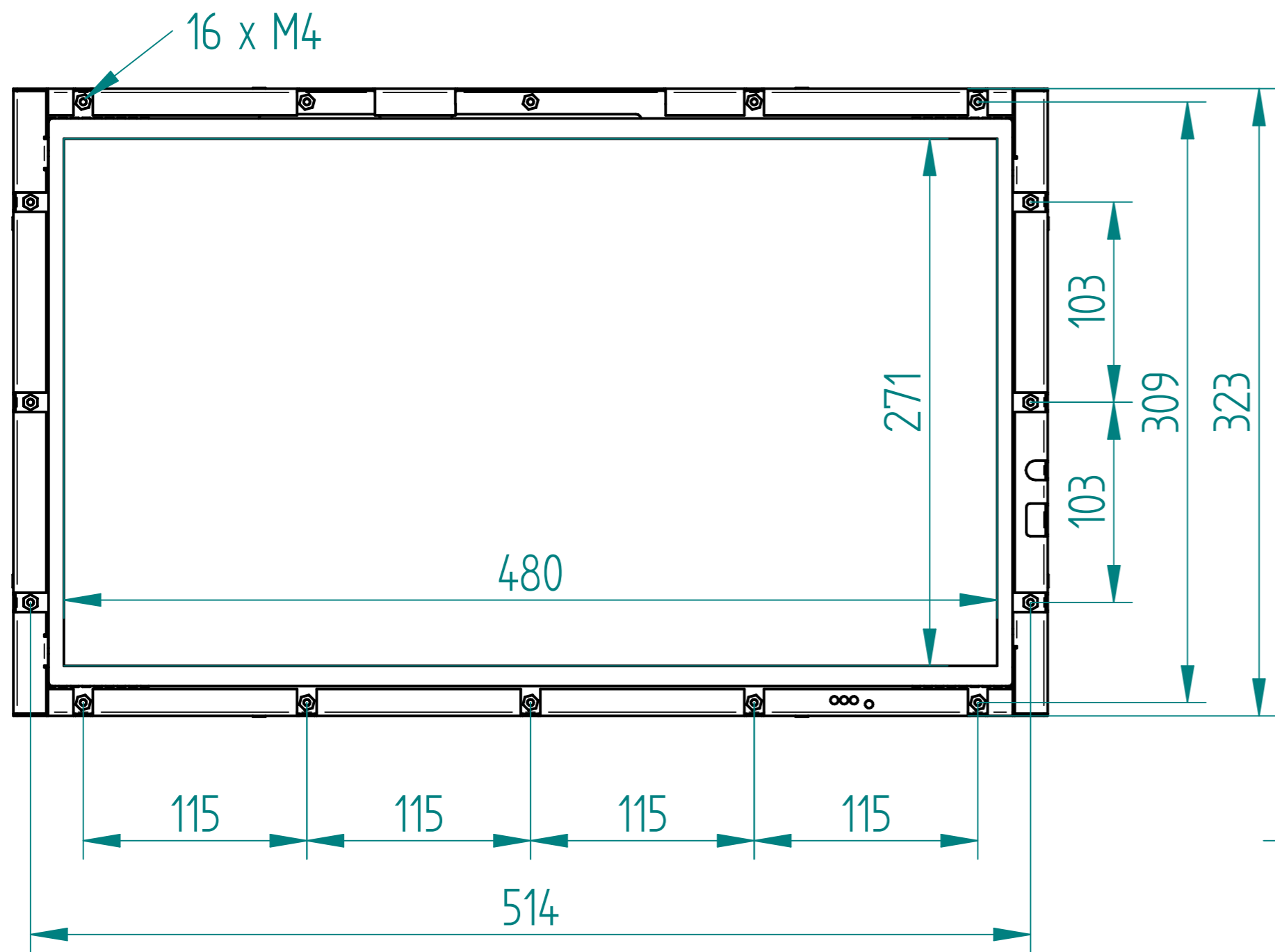
STANDARD FRONT PANEL VERSION



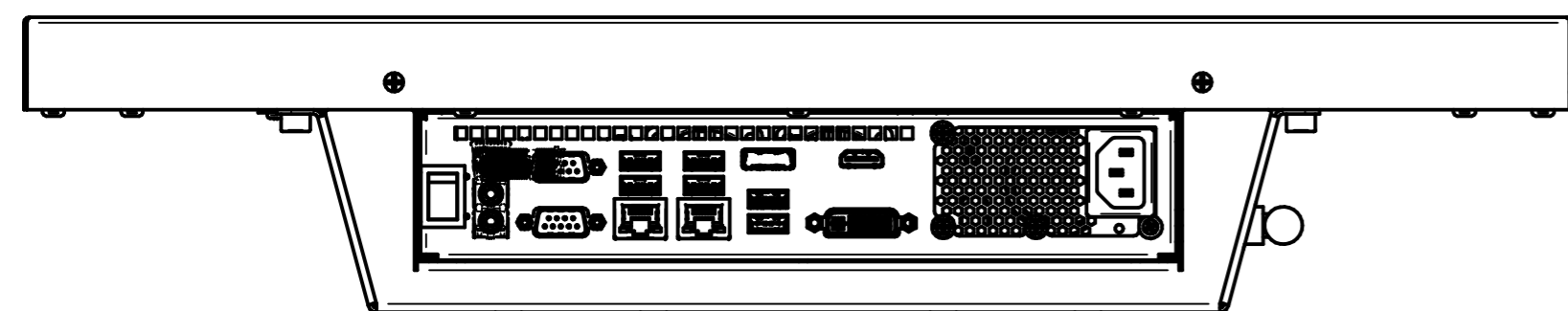
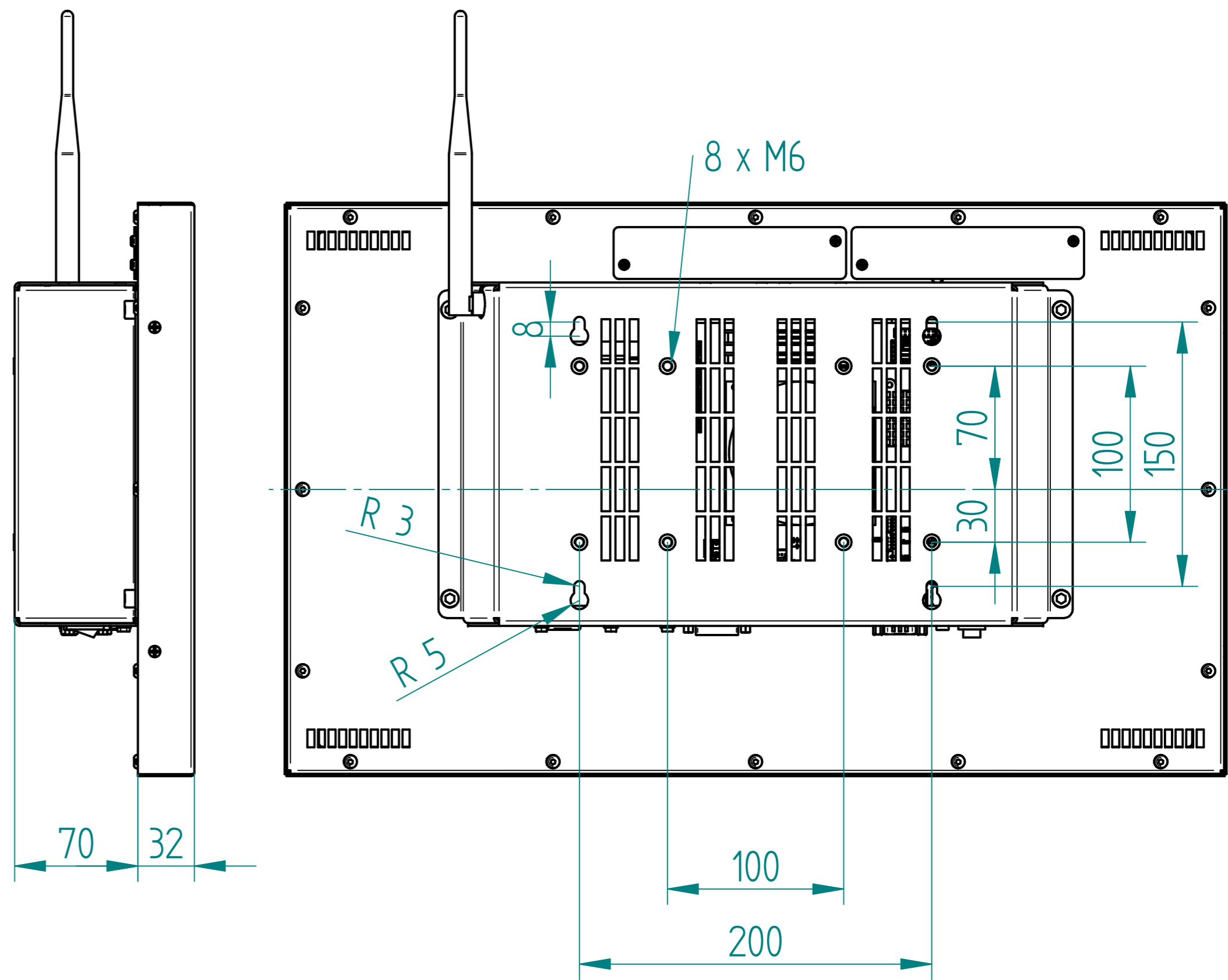
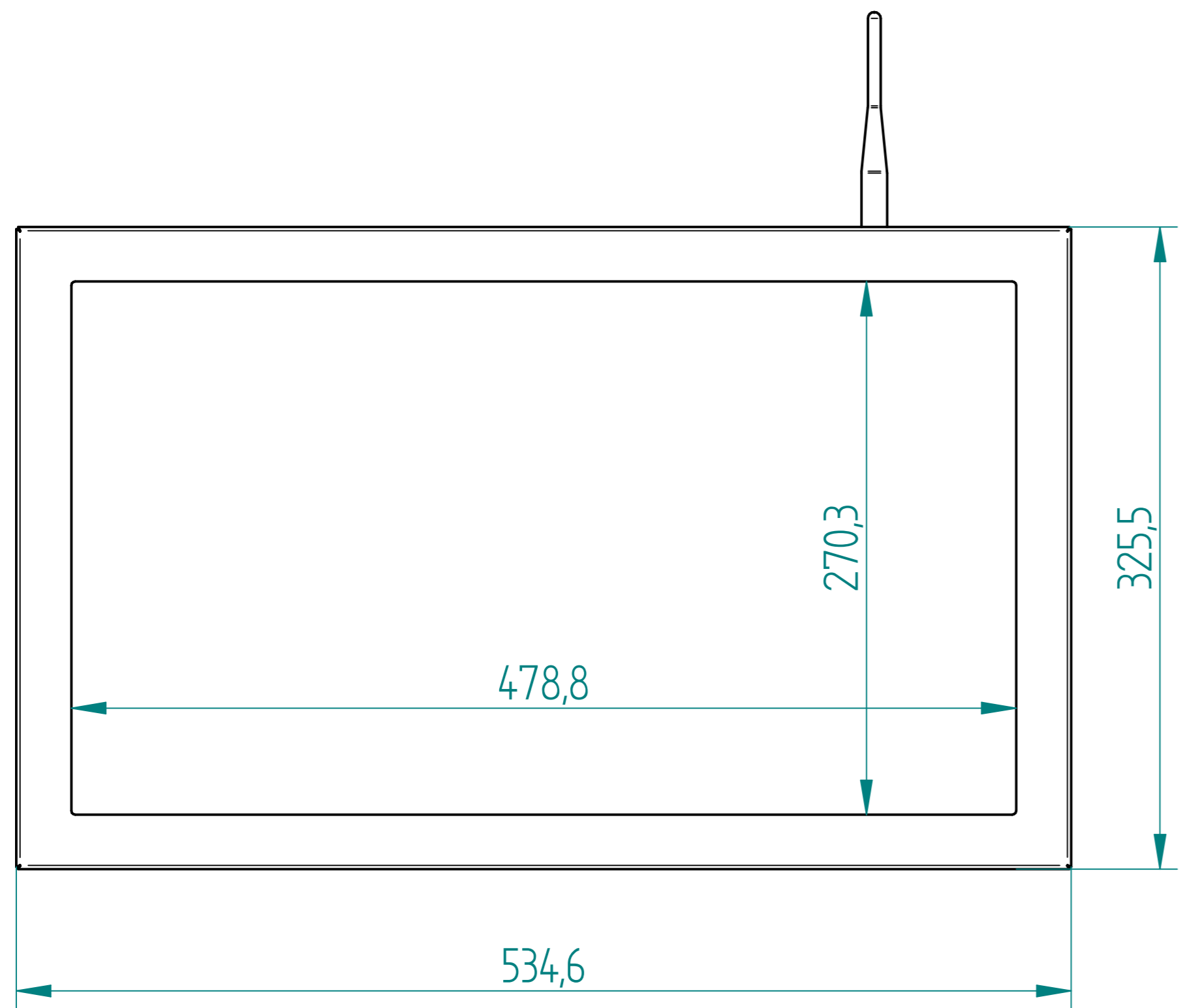
PCT FRONT PANEL VERSION



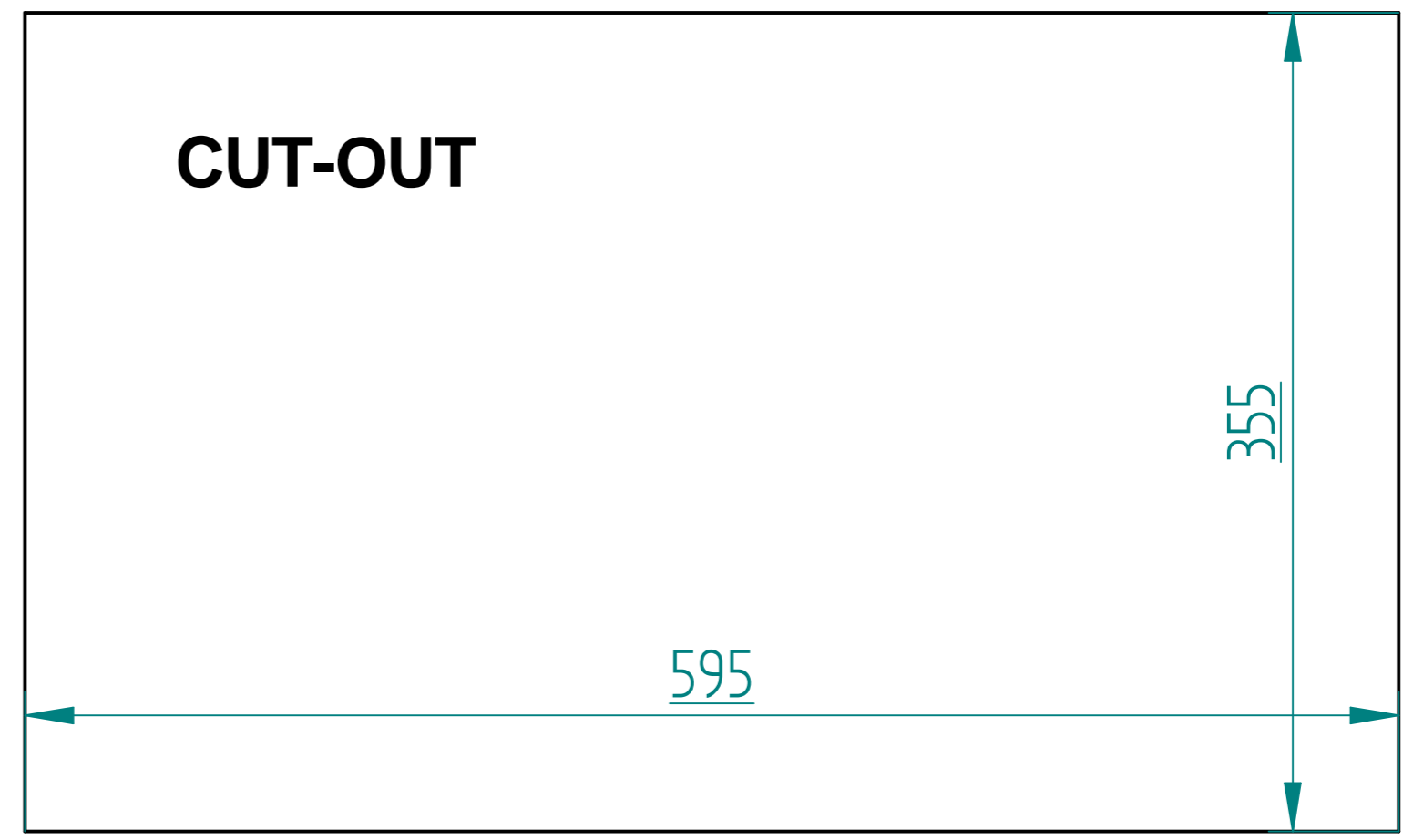
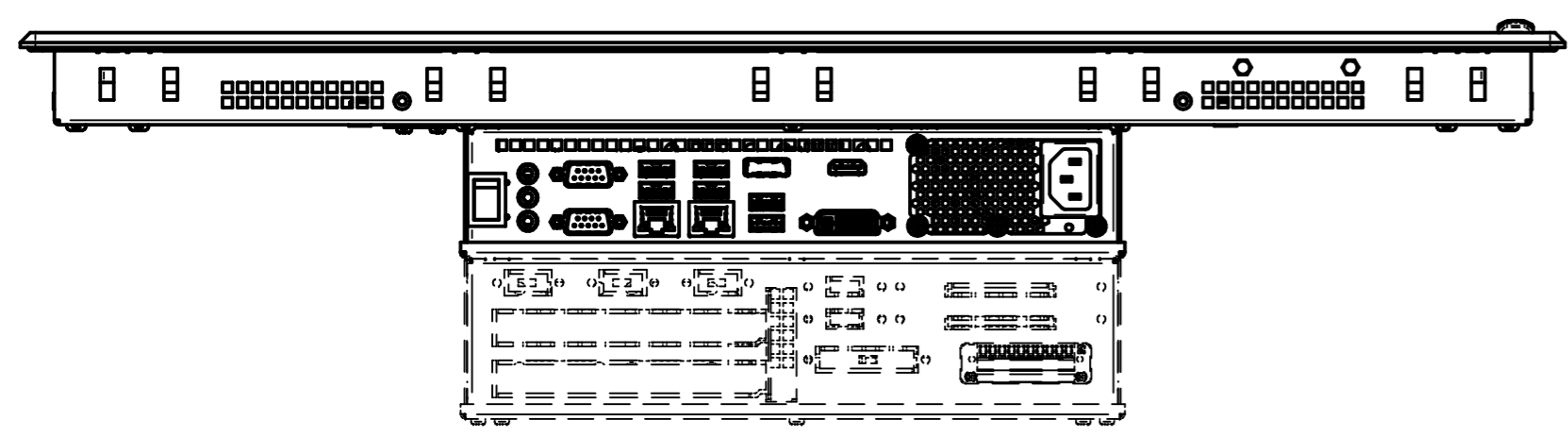
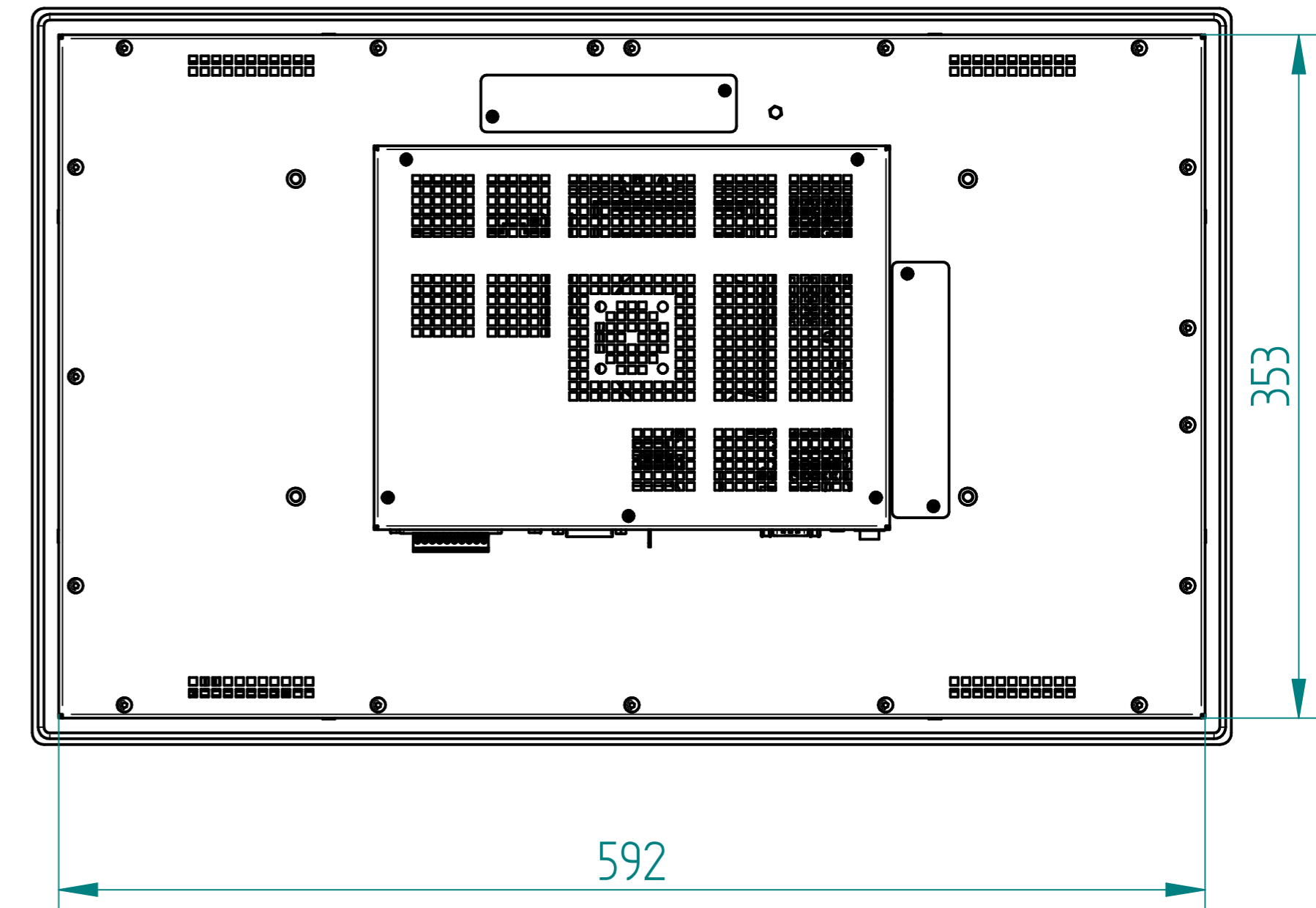
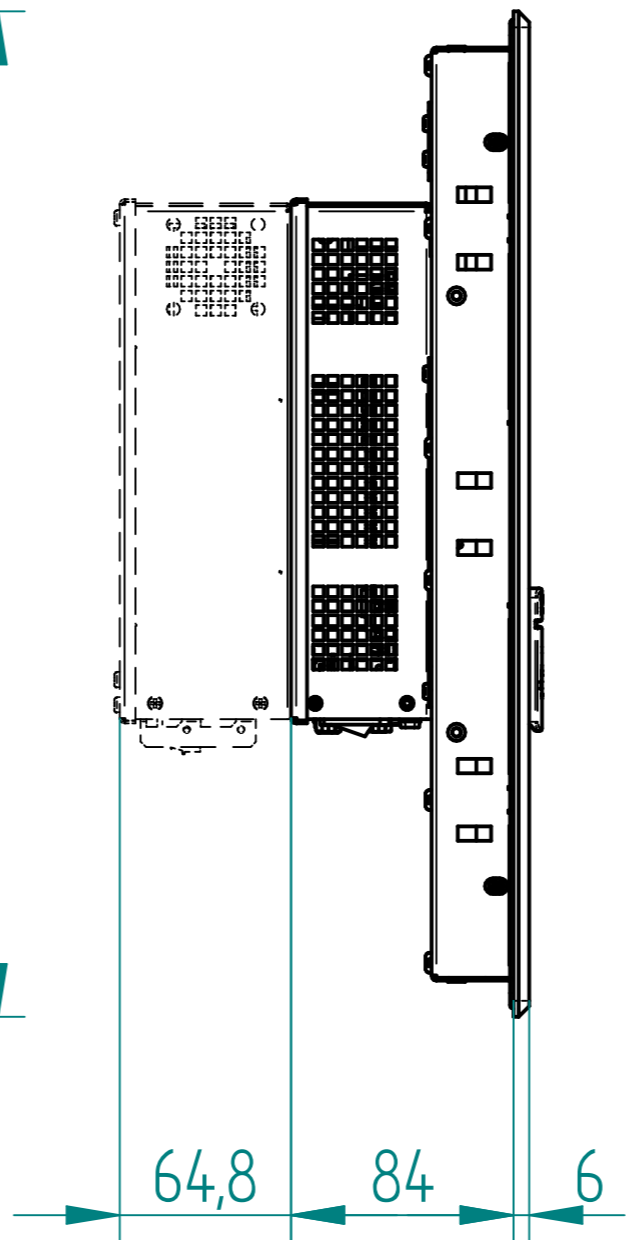
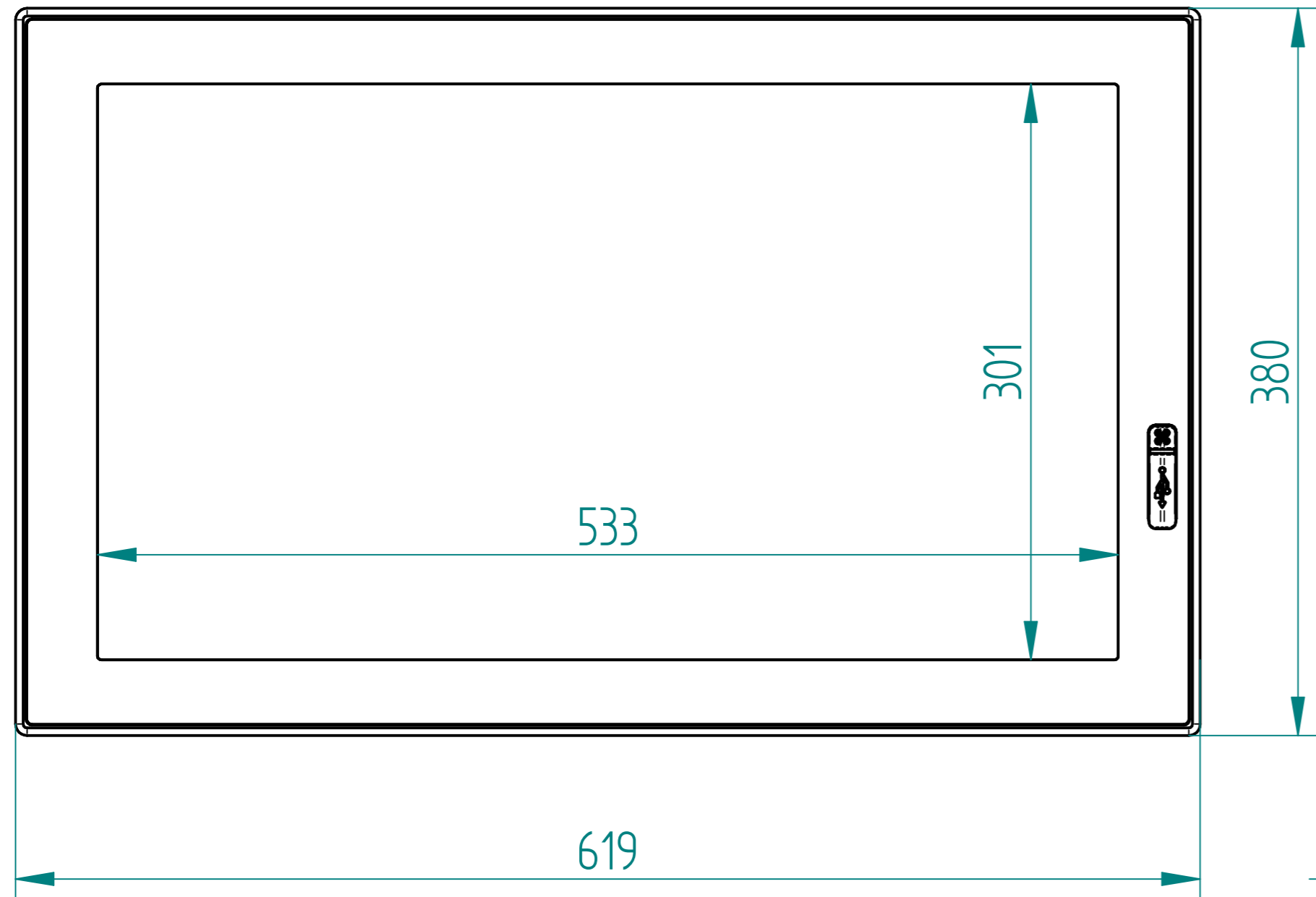
PCTX FRONT PANEL VERSION



OPEN-FRAME FRONT PANEL VERSION

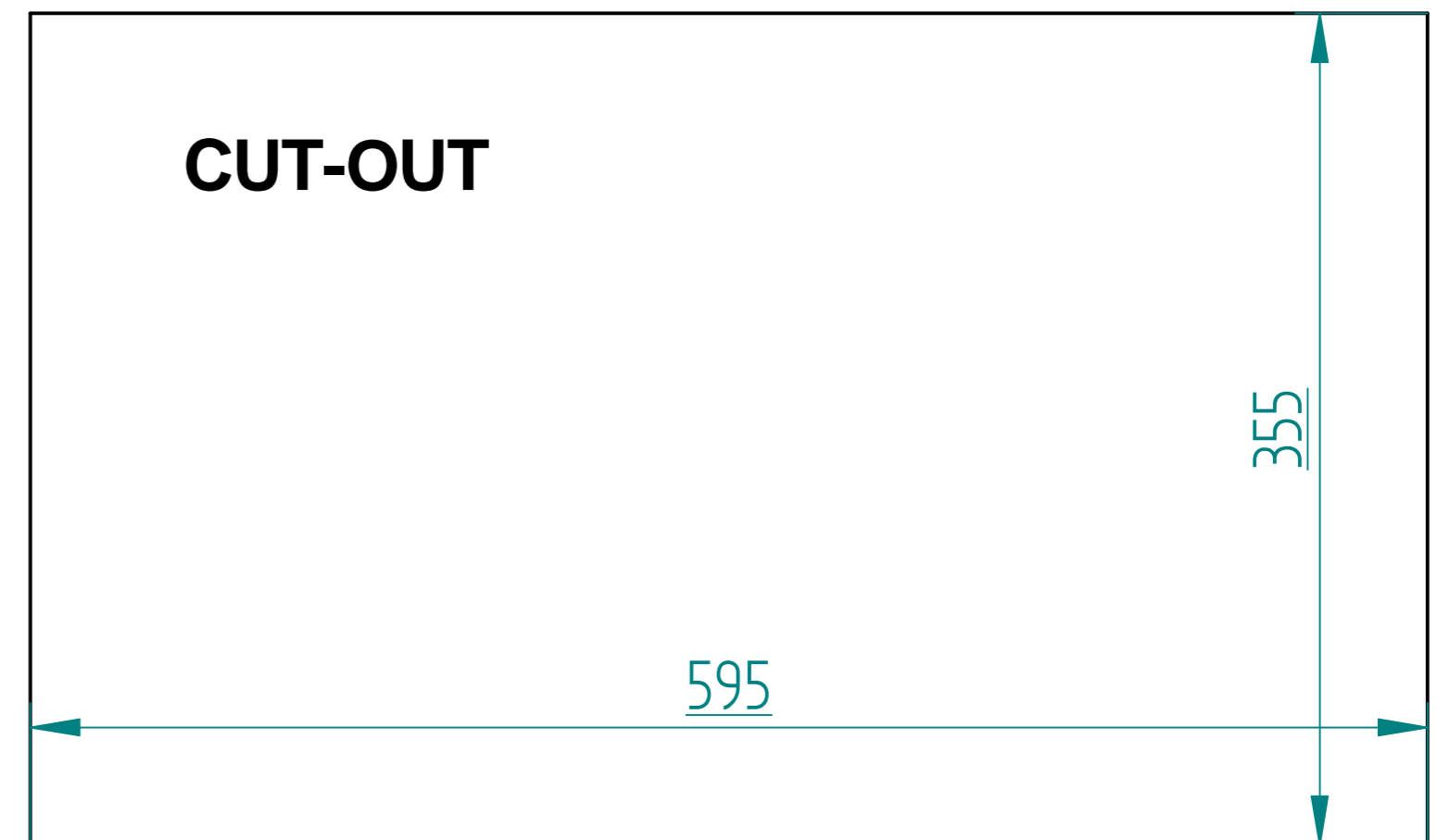
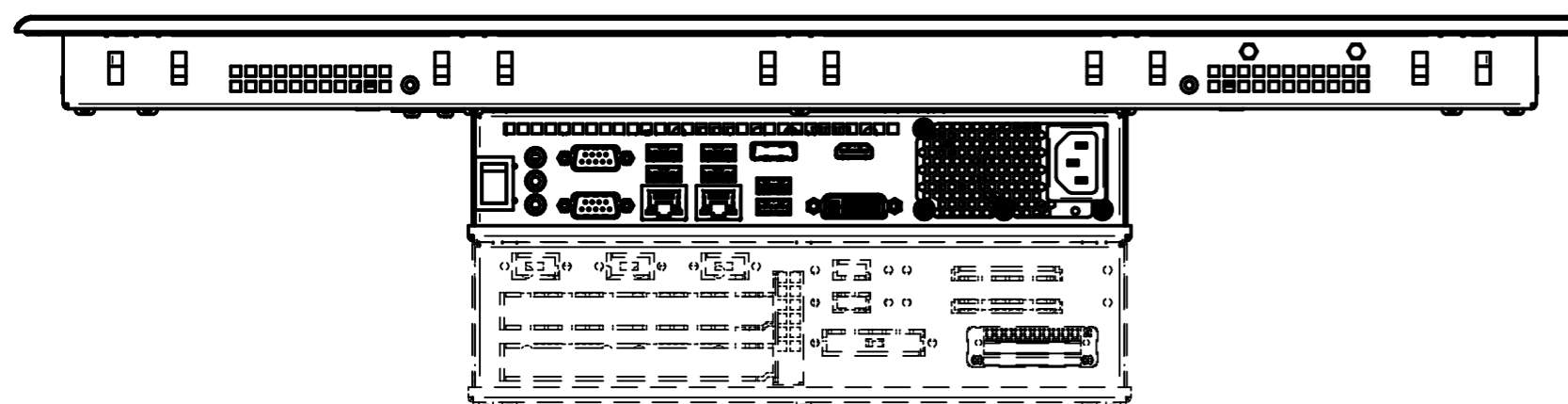
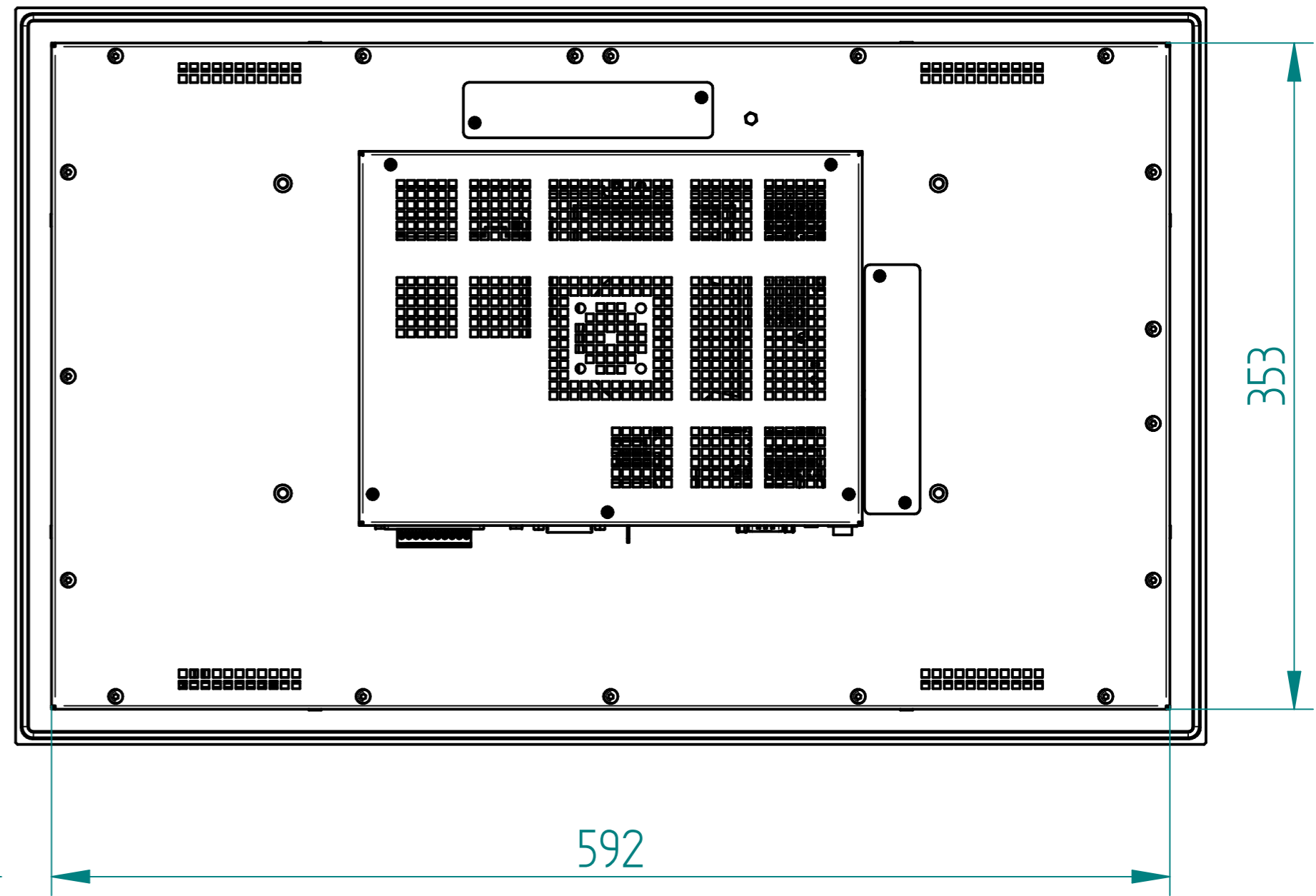
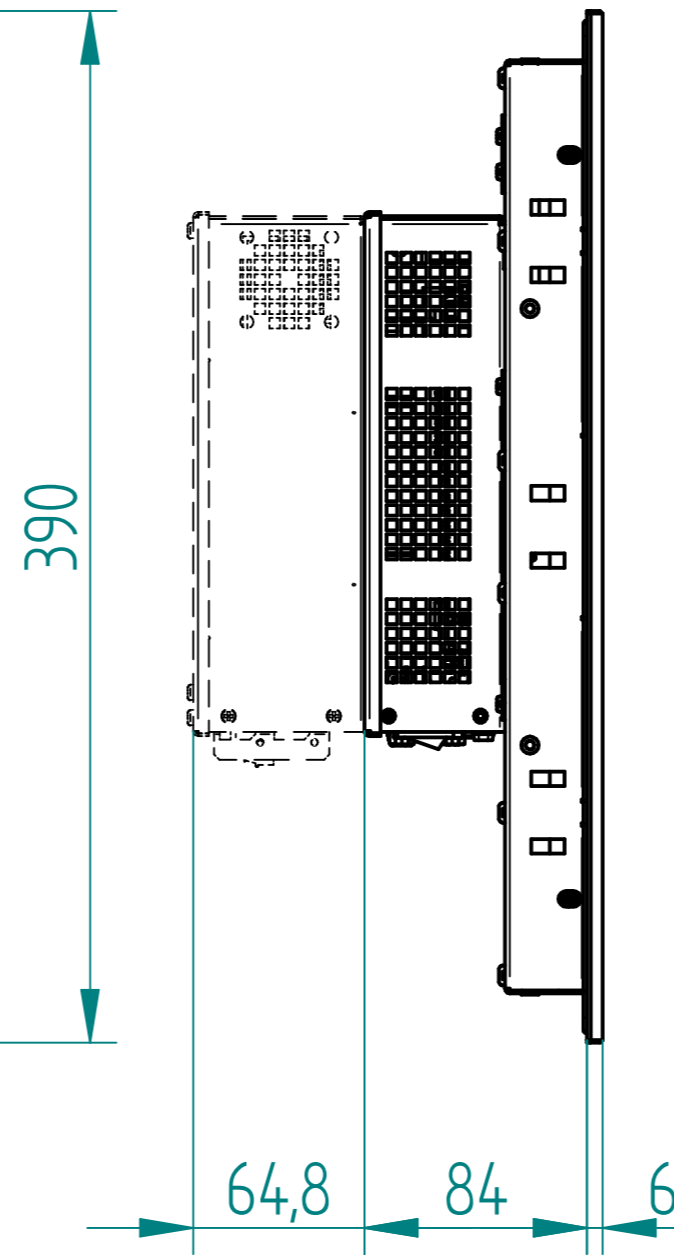
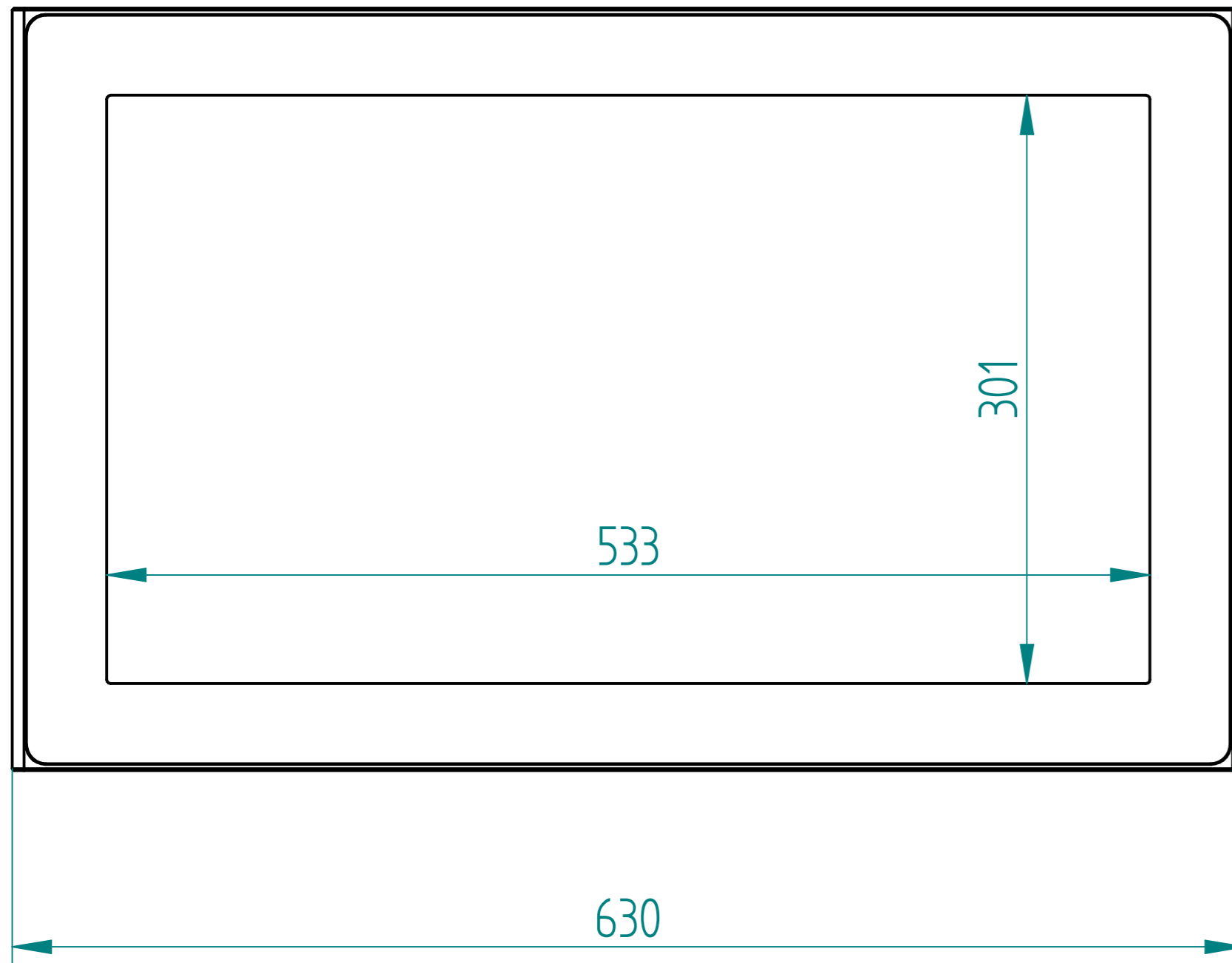


METAL CASE VERSION

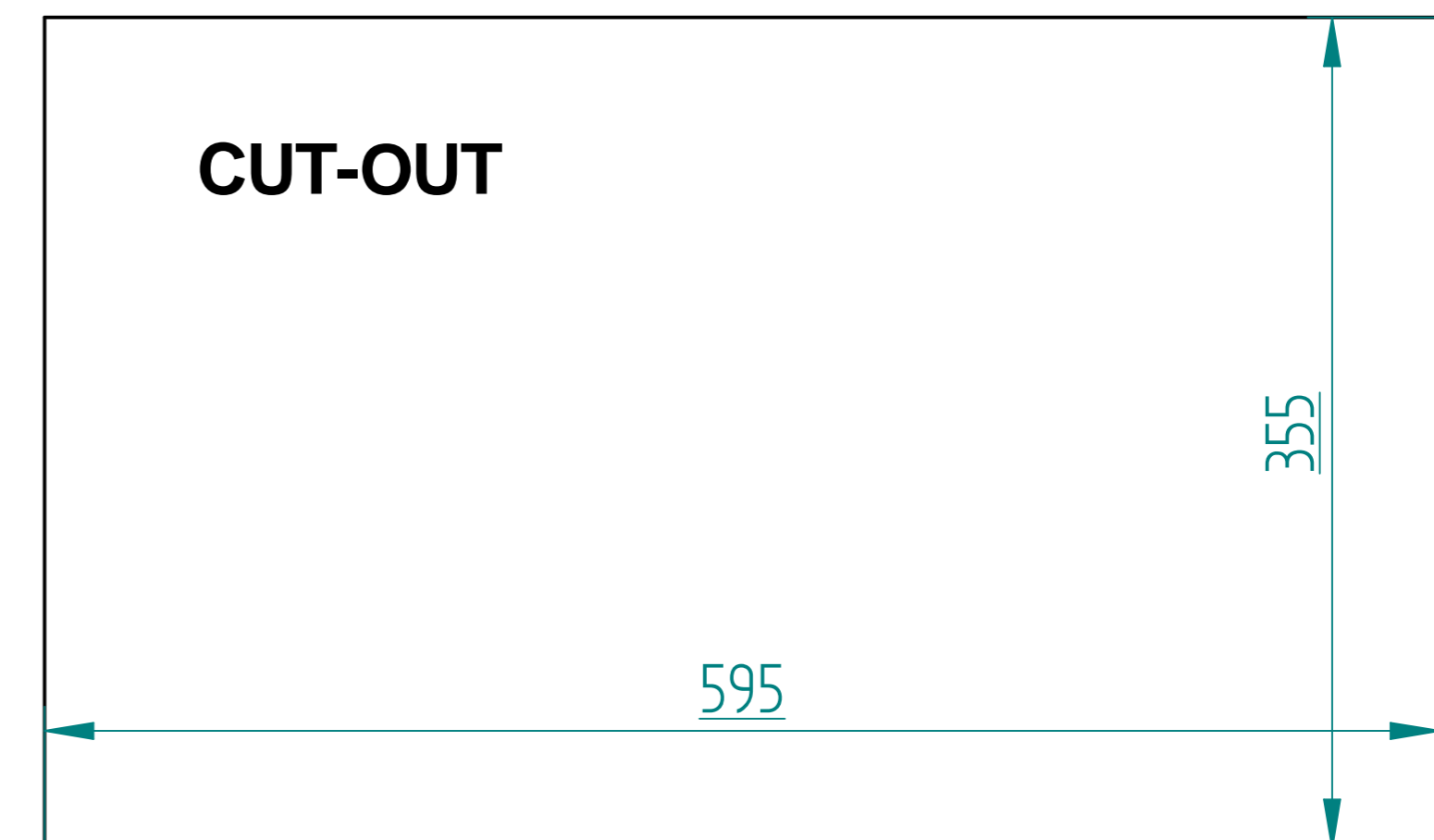
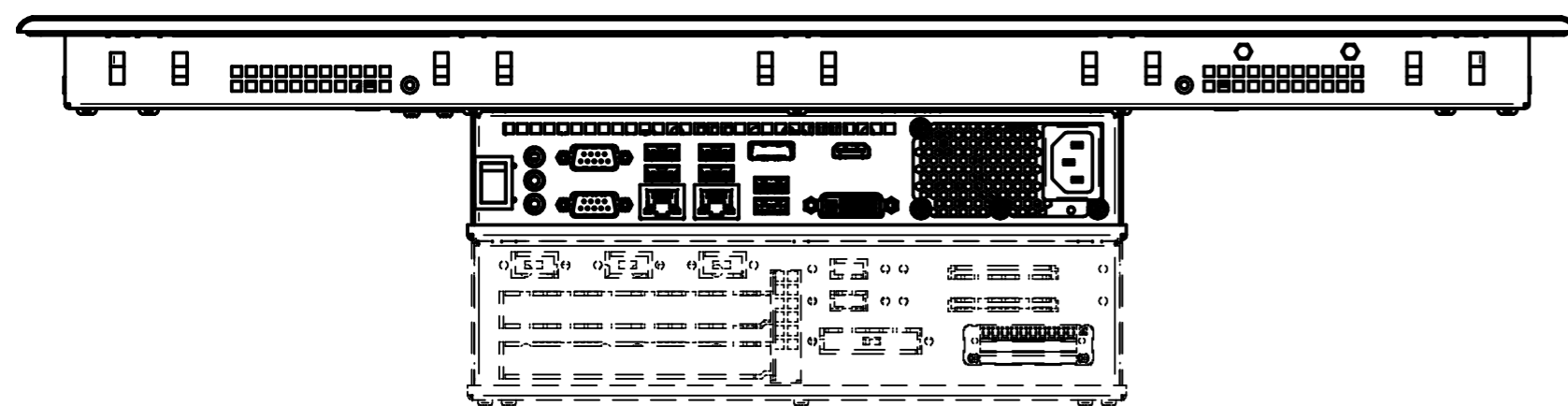
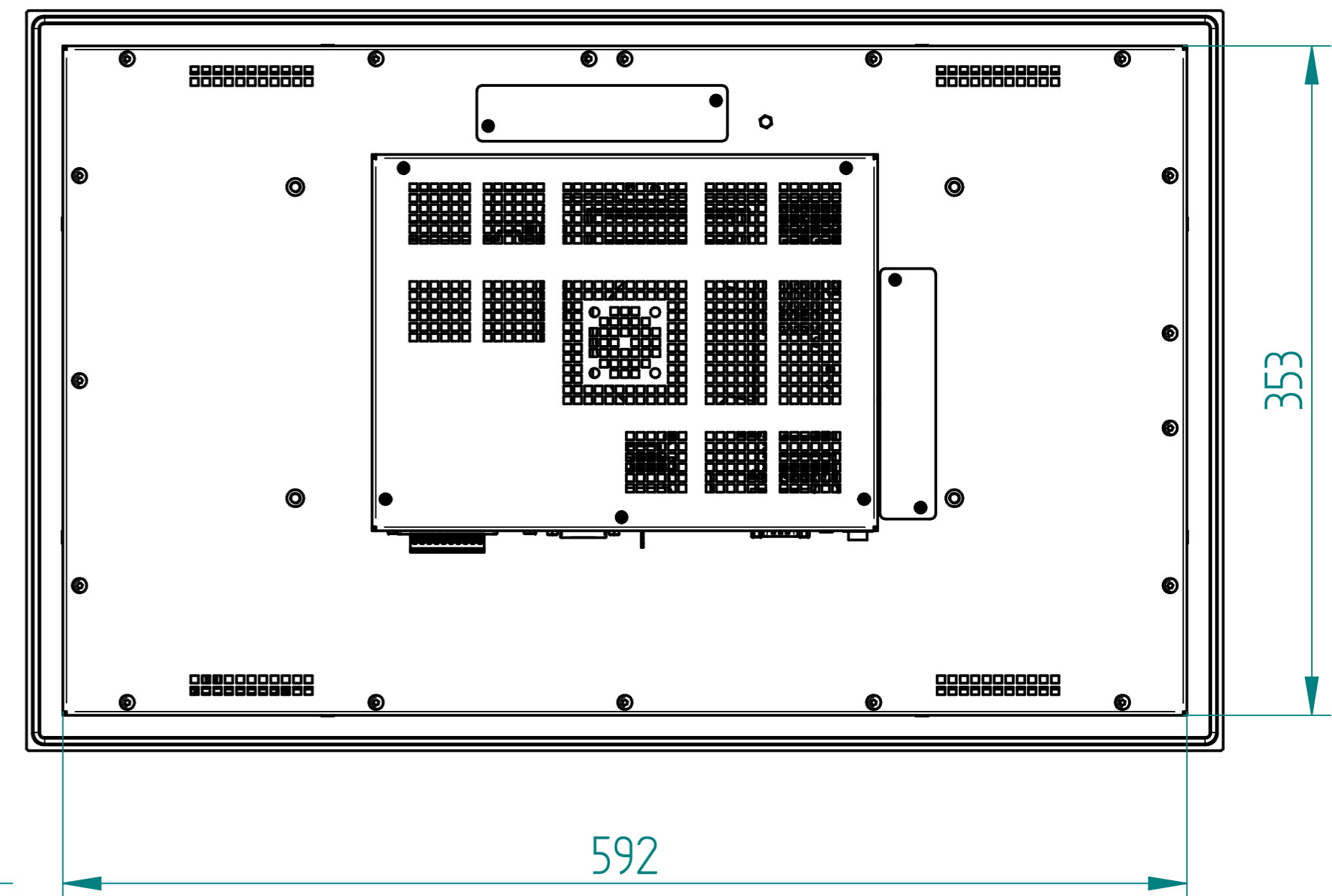
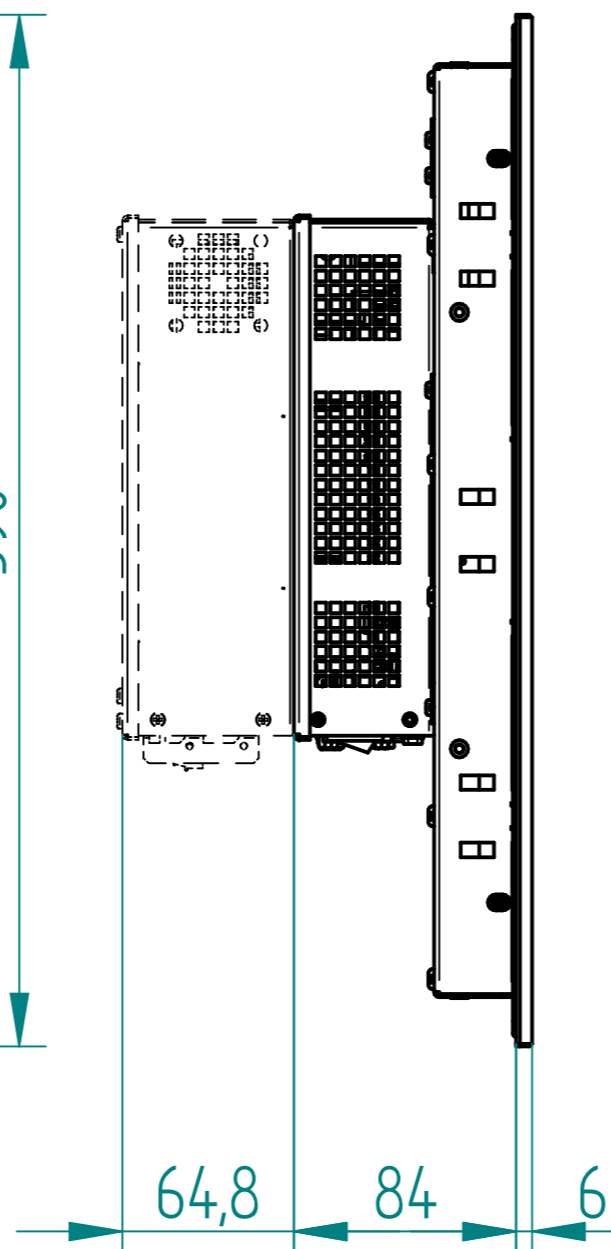
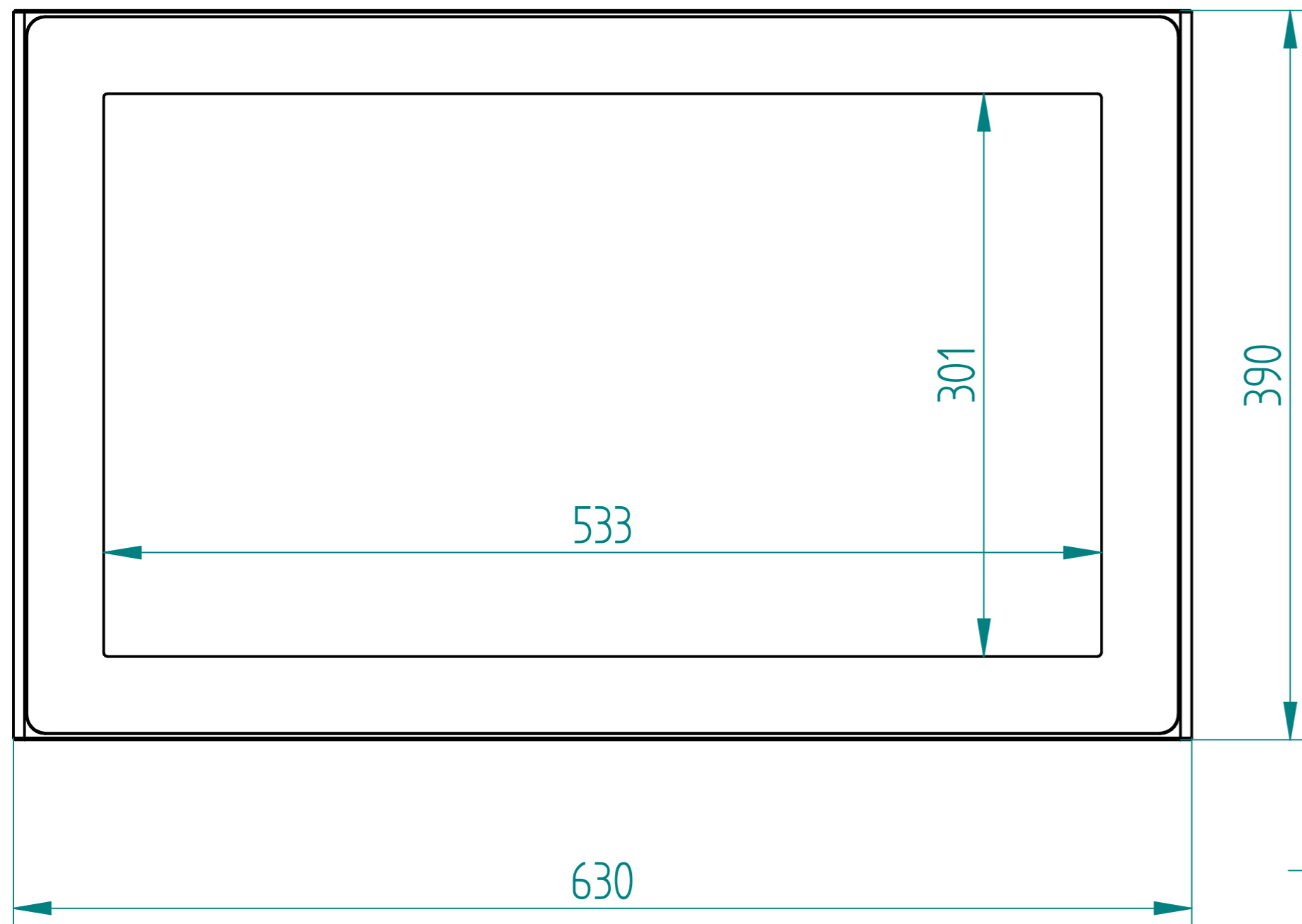


STANDARD FRONT PANEL VERSION

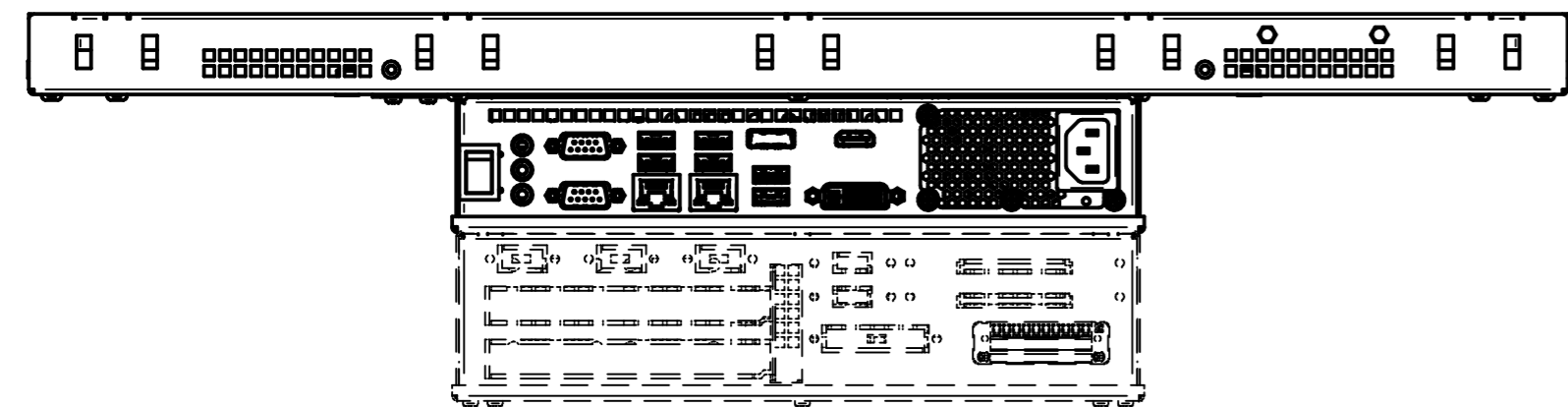
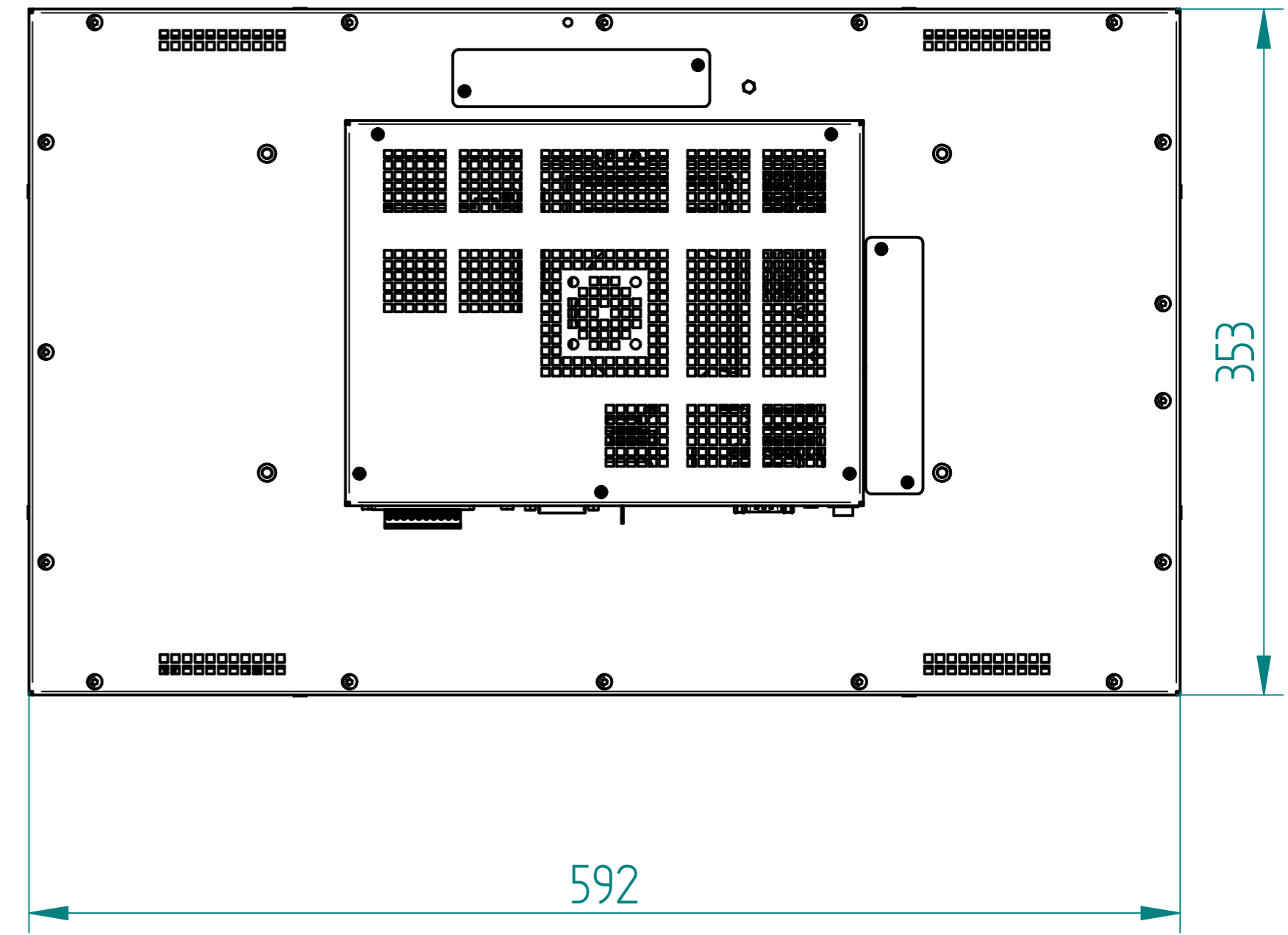
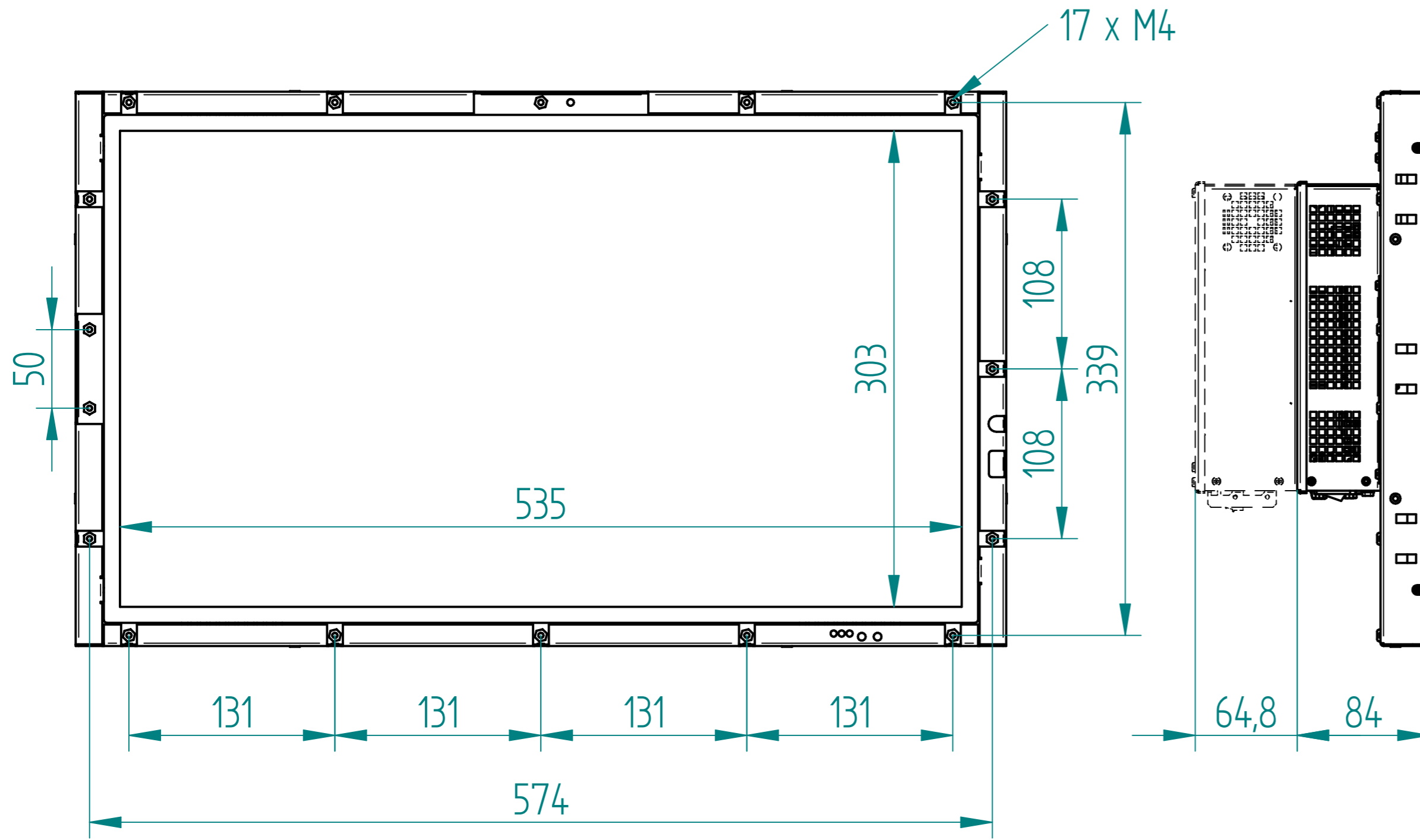
Specifications are subject to change without notice.



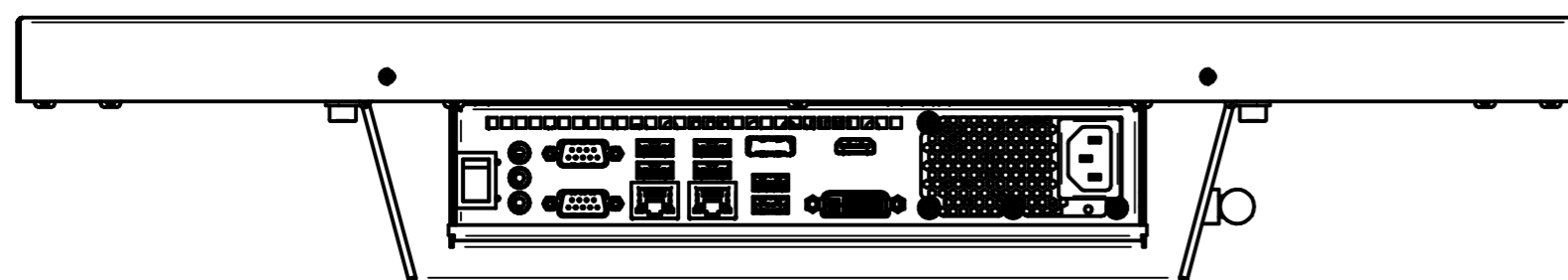
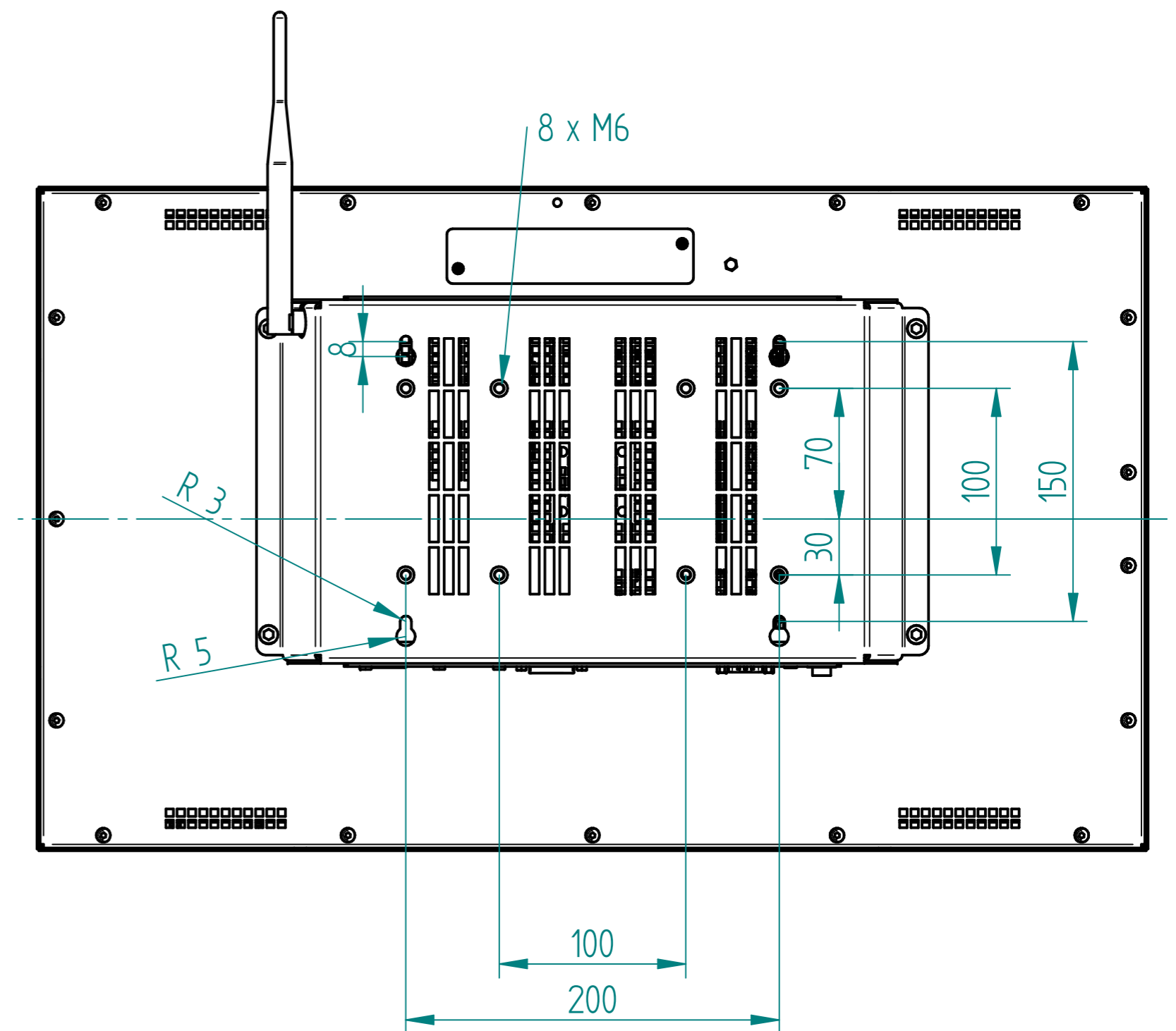
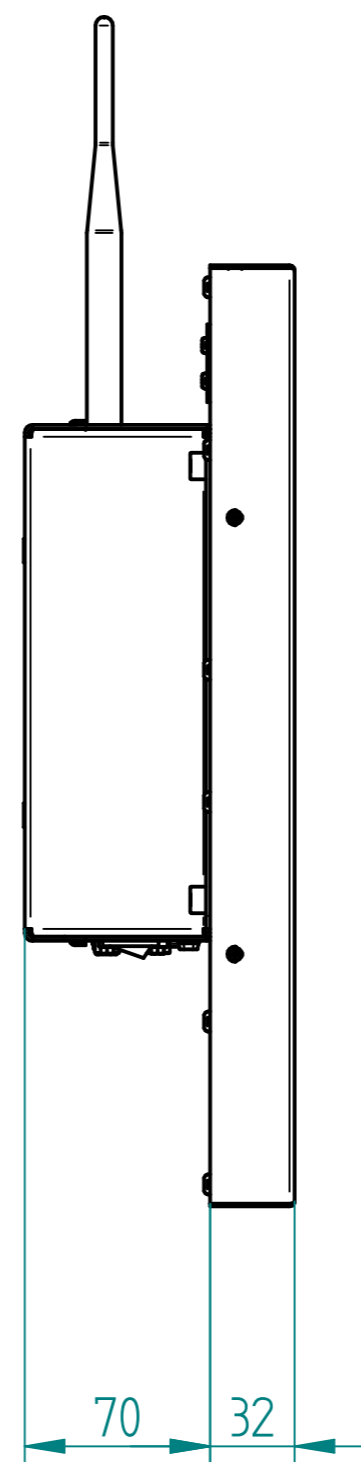
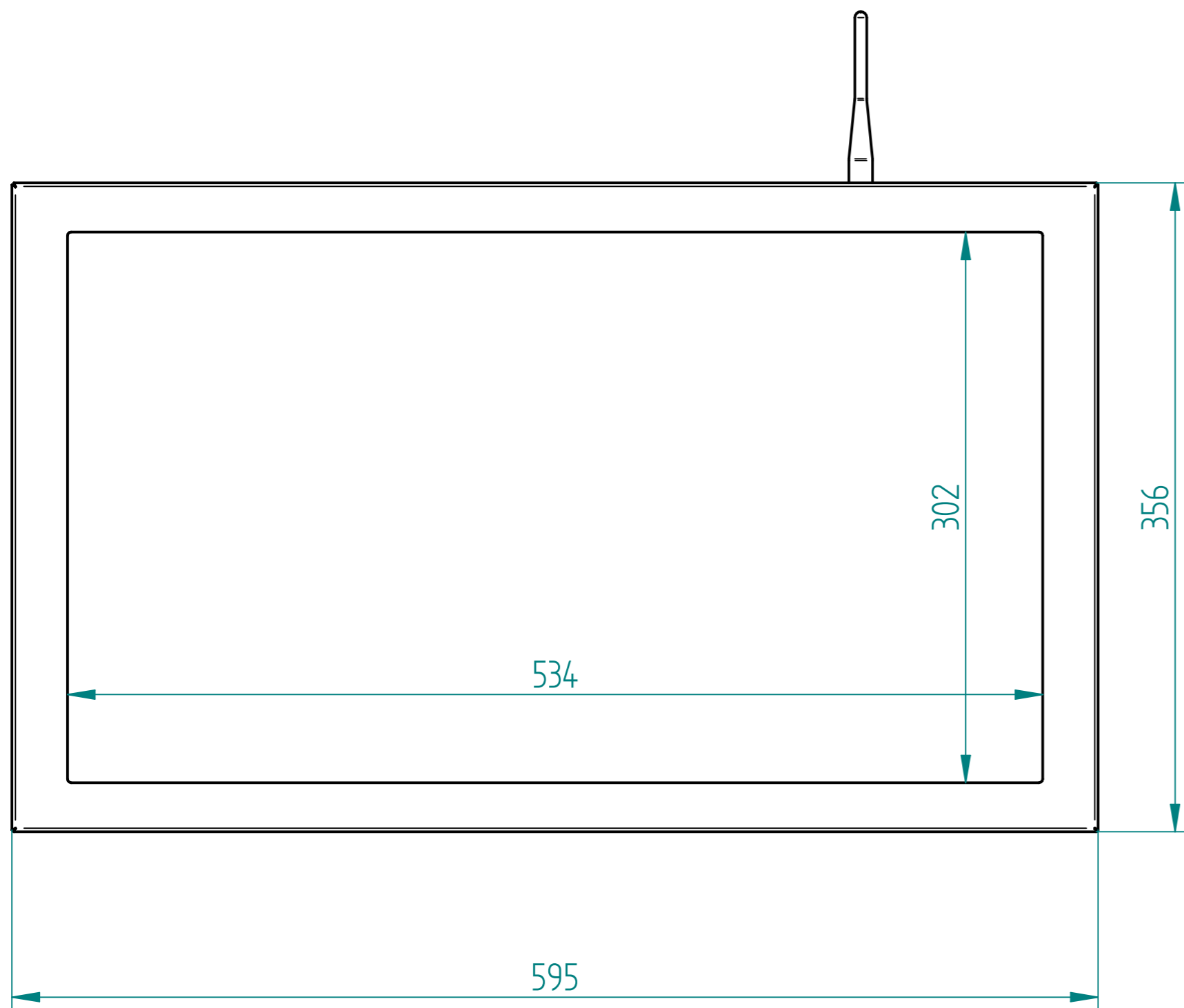
PCT FRONT PANEL VERSION



PCTX FRONT PANEL VERSION



OPEN-FRAME FRONT PANEL VERSION



METAL CASE VERSION